

Stainless steel gas/steam filter housings.

Donaldson® P-EG filter housings are designed for purification of compressed air, technical gases and steam. They are equipped with NPT thread or flange connections depending on size and have an electro-polished or bead-blast surface finish. P-EG filter housings are designed to yield low differential pressure at high flow rates.

P-EG filter housings are available in 18 different sizes with a capacity range from 35 to 12,700 scfm at 100 psig. Optional connections are also available to adapt the filter to your specific requirements. Standard housings utilize Donaldson filter elements with 2-inch, double o-ring, plug-in connections.

A broad selection of filter elements is available to meet the compatibility and micron rating requirements of your process.



P-EG

SPECIFICATIONS

MATERIALS

Filter Housings	304 SS 316L SS (on request)
Sealing Nut	304 stainless steel
Plug	304SS/PTFE gasket
Housing Gasket	EPDM (other gaskets available upon request)

DESIGN PRESSURE/TEMPERATURE

FNPT Housings (0006-1920)	232 psig @ 392°F
FNPT Housing (0288)	174 psig @ 392°F
ANSI Flange Housings (0432-1920)	250 psig

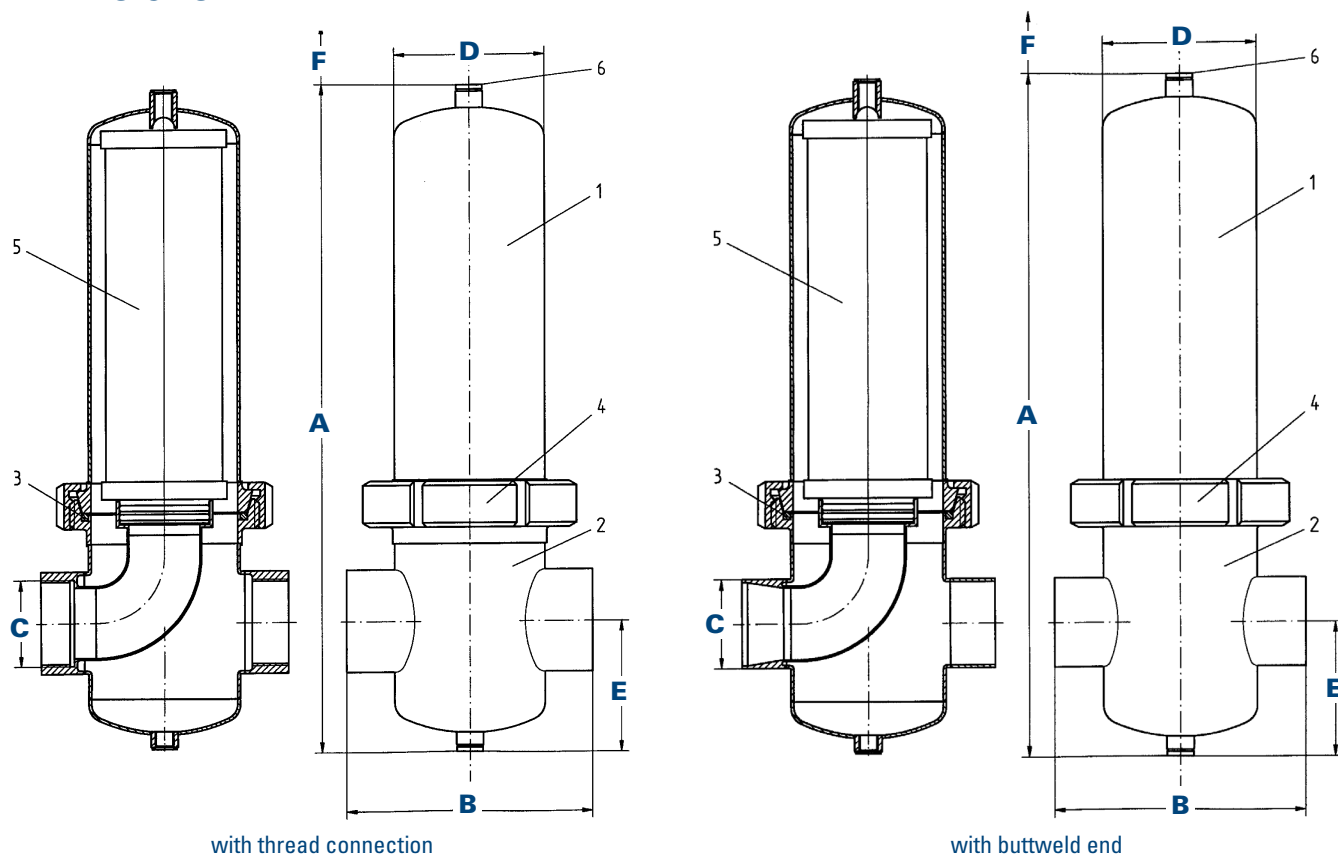
SURFACE FINISH

Inner	
0006-0192	Etched and passivated Ra 63
0432-1920	Bead blast
Outer	
0006-0288	Etched, passivated, and polished Ra 63
0432-1920	Bead blast

CONNECTION TYPES

NPT thread connection (standard for 0006-0288 single element housing)
ANSI flange (standard starting at 0432; optional up to 0288)
Weld ends
Other connections and bigger housings are available on request

DIMENSIONS



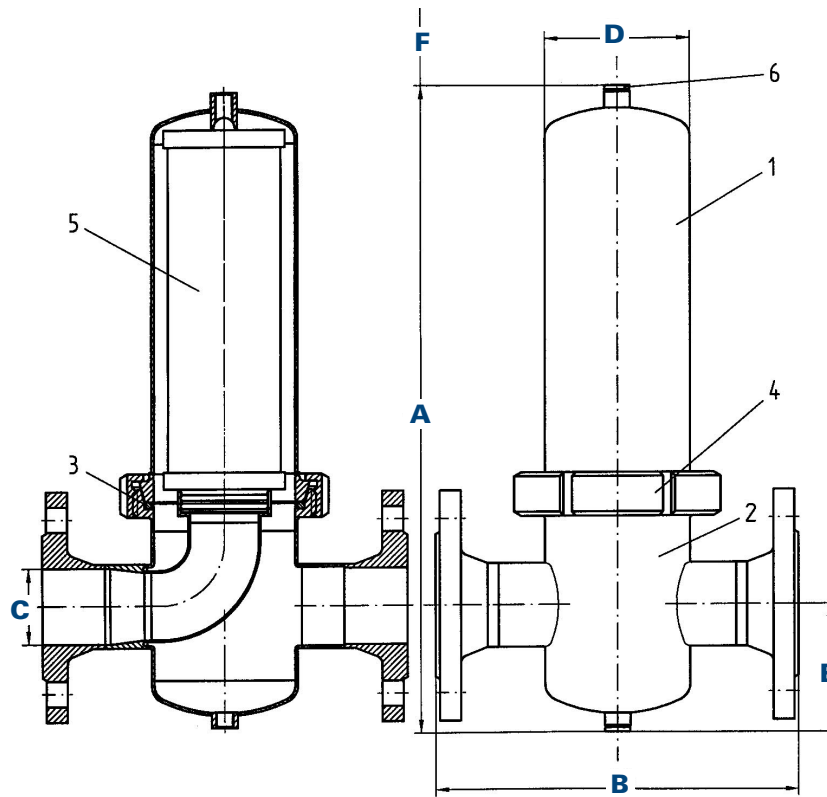
Callout	Quantity	Description
1	1	upper housing bowl
2	1	lower housing bowl
3	1	housing gasket

Callout	Quantity	Description
4	1	sealing nut
5	1	filter element
6	2	plug

Size	Volume (gal)	Weight* (lb)	Dimensions (inches)							Element Size
			A	B ± .125	C		D	E	F	
					w/NPT thread connection	w/butt-weld end				
0006	0.1	4	8.2	4.1	0.25	0.375	3	2	4	03/10
0009	0.2	4	9.5	4.25	0.375	0.375	3	2	5	04/10
0012	0.2	4	9.5	4.25	0.50	0.50	3	2	5	04/20
0018	0.2	4	10.5	4.9	0.75	0.75	3	2.3	6	05/20
0027	0.3	6	11.5	4.9	1.00	1.00	3	2.6	6	05/25
0036	0.3	7	13.5	5.5	1.25	1.25	3	2.6	8	07/25
0048	0.6	9	15	6.7	1.50	1.50	4	3.5	8	07/30
0072	0.9	11	18	6.7	2.00	2.00	4	3.5	11	10/30
0108	1.1	12	23	6.7	2.00	2.00	4	3.5	18	15/30
0144	2.1	20	29	8.5	2.50	2.50	5	4.5	23	20/30
0192	2.9	24	39	8.5	3.00	3.00	5	4.5	33	30/30
0288	4.4	36	40	9.5	3.00	3.00	6	4.5	33	30/50

* Without filter element

DIMENSIONS



with flange connection ANSI 150 lb

Callout	Quantity	Description
1	1	upper housing bowl
2	1	lower housing bowl
3	1	housing gasket

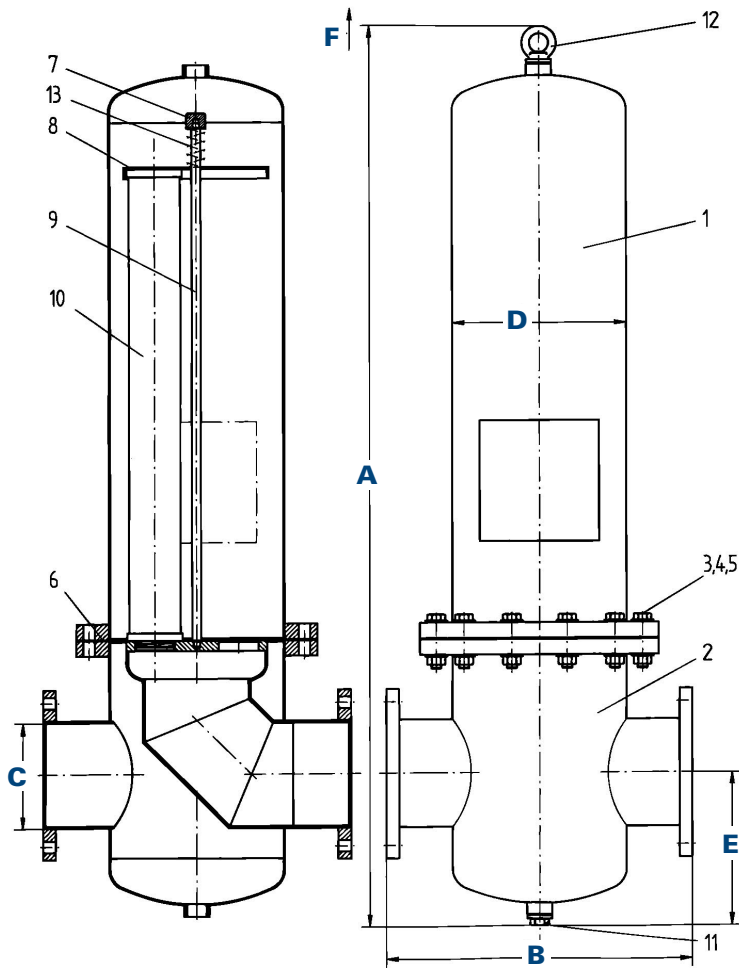
Callout	Quantity	Description
4	1	sealing nut
5	1	filter element
6	2	plug

Size	Volume (gal)	Weight* (lb)	Dimensions (inches)						Element
			A	B ± .125	C**	D	E	F	
0006	0.1	6	8.5	8.00	0.50	3	2	4	03/10
0009	0.2	6	9.5	8.00	0.50	3	2	5	04/10
0012	0.2	7	9.5	8.00	0.50	3	2	5	04/20
0018	0.2	9	10.5	9.00	0.75	3	2	6	05/20
0027	0.3	11	11.5	9.69	1.00	3	3	6	05/25
0036	0.3	14	13.5	10.00	1.25	3	3	8	07/25
0048	0.6	18	15.2	11.58	1.50	4	4	8	07/30
0072	0.9	22	18.1	11.69	2.00	4	4	11	10/30
0108	1.1	23	23.1	11.69	2.00	4	4	18	15/30
0144	2.1	33	28.8	13.39	2.50	5	4	23	20/30
0192	2.9	40	39.0	13.39	3.00	5	4	33	30/30
0288	4.4	52	40.4	14.96	3.00	6	5	33	30/50

* Without filter element

** 150 lbs ANSI B16.5

DIMENSIONS



with flange connection

Position	Description
1	upper housing bowl
2	lower housing bowl
3	hexagon bolt
4	washer
5	nut
6	gasket
7	bracket bolt
8	bracket plate
9	tie rod
10	filter element
11	plug
12	lifting eye bolts
13	spring

Size	Volume (gal)	Weight* (lb)	Dimensions (inches)						Qty	Element Size
			A	B (± .125)	C**	D	E	F		
0432	9.5	95	36.7	16.14	4	8.6	7.3	23	3	20/30
0576	11.9	97	47.0	16.14	4	8.6	7.3	33	3	30/30
0768	20.3	154	51.3	18.90	6	10.8	8.2	33	4	30/30
1152	29.1	176	54.8	21.26	6	12.8	8.8	33	6	30/30
1536	50.2	298	58.8	26.00	8	16.0	12.3	33	8	30/30
1920	50.2	298	58.8	26.00	8	16.0	12.3	33	10	30/30

* Without filter element

** 150 lbs ANSI B16.5



Donaldson Company, Inc.
Compressed Air and Process Filtration
PO Box 1299
Minneapolis, MN
55440-1299 U.S.A.

Tel 800-543-3634 (USA)
Tel 800-343-3639 (within Mexico)
Fax 952-885-4791
processfilters@donaldson.com
donaldsonprocessfilters.com



P-EG Gas/Steam Filter Housings (07/14)

© 2007 Donaldson Co., Inc. All Rights Reserved. Information in the document is subject to change without notice.
{Contains Donaldson proprietary technology.}