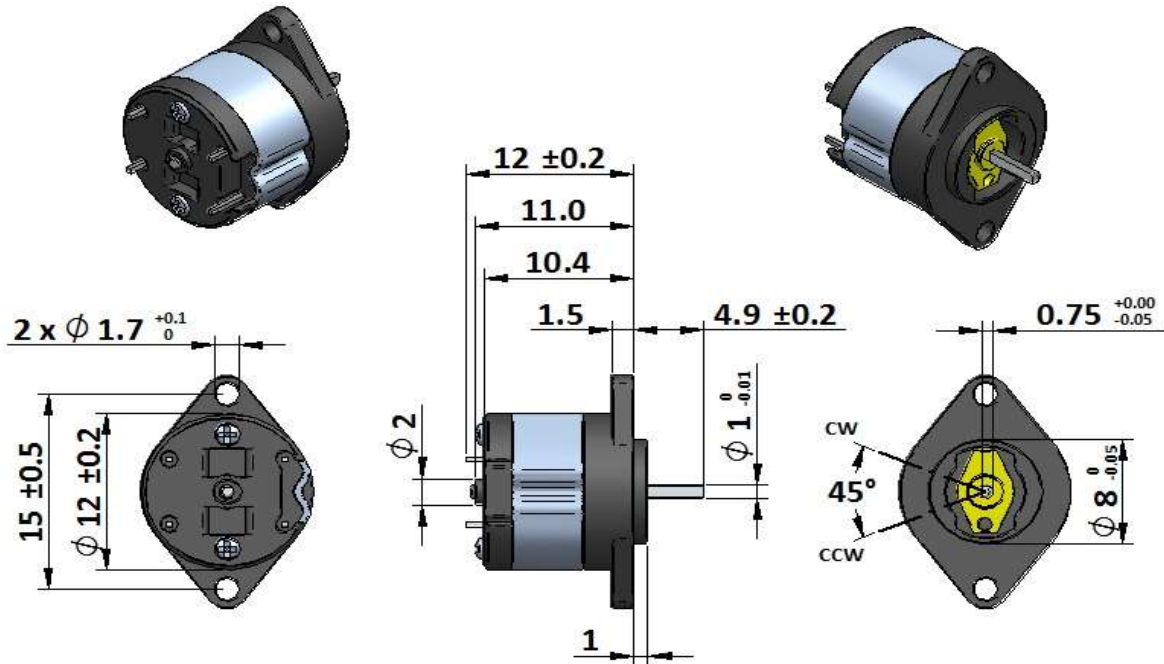
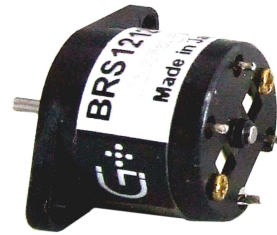




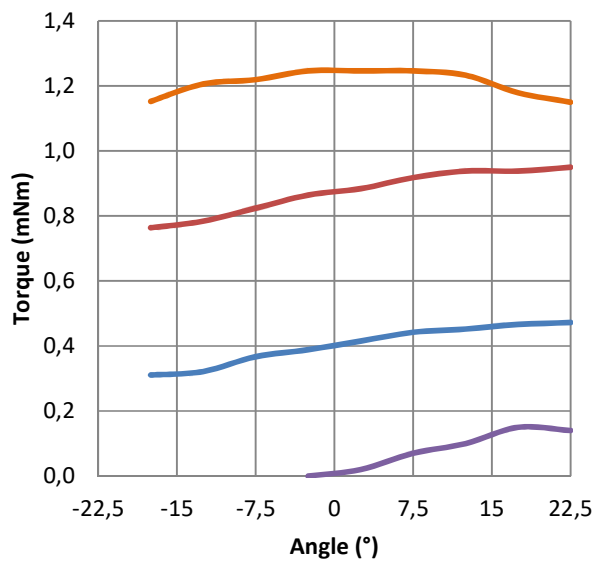
GEEPLUS

BRS1212-95

Device drawn with shaft aligned to mid position  
 Nominal 95Ω parallel, 380Ω series connection  
 Rotor Inertia 0.035 gcm<sup>2</sup>  
 Life Expectancy >100k cycles, 1gcm<sup>2</sup> load  
 Optimal rotation +/- 22.5°, Mass 3.5 grammes  
 Insulation Resistance >50MΩ, 500VDC Megger  
 Dielectric Strength 300vAC, 50/60Hz, 1 second

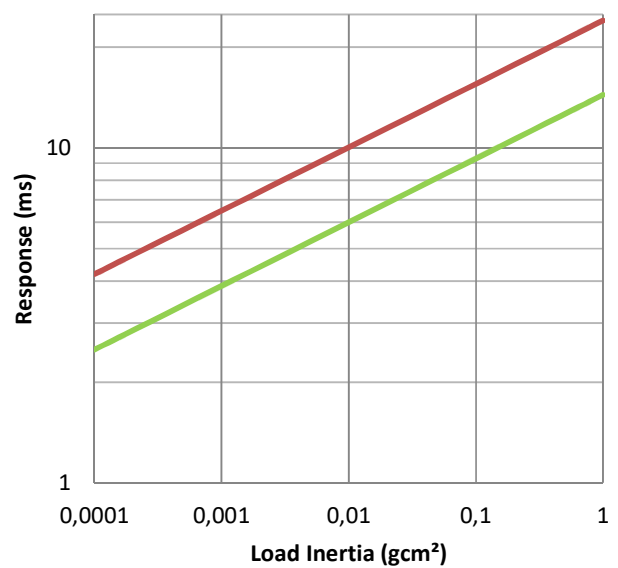


Typical Torque (mNm) vs Angle



— 53mA, 5v    — 120mA, 12v  
 — 204mA, 20v    — Detent

Typical Response (ms) vs Load Inertia (gcm<sup>2</sup>)



— 53mA, 5v, Parallel    — 126mA, 12v, Parallel

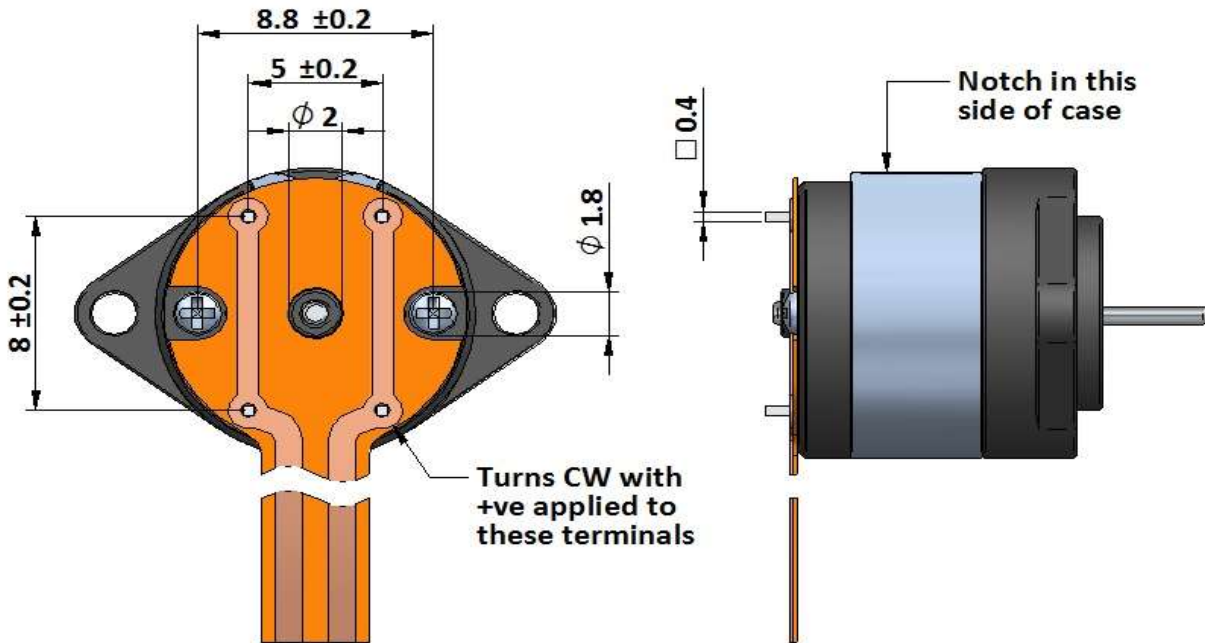


GEEPLUS

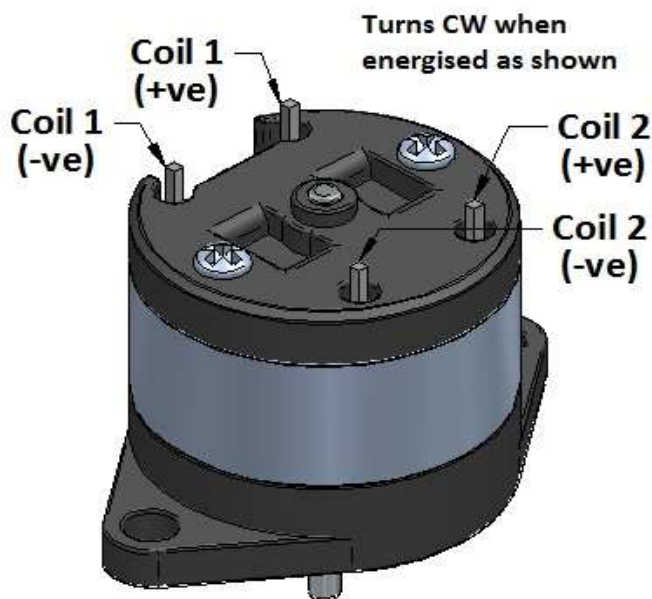
# BRS1212-95 Connection

Termination with flexible circuit is recommended as this places minimal stress on the terminal pins. Parallel connection is shown below.

Rotor Inertia 0.035 gcm<sup>2</sup>



The drawing below shows termination with leadwire and shows both parallel and series connection configurations



## Parallel



## Series

