

Type BM11 Load Cell



Short description



- Stainless steel IP68 single ended bending beam
- Hermetically sealed
- Suitable for pallet, platform and small hopper scales
- High accuracy
- Current calibrated (sc-option)



Test certificate no. TC7968 Revision 0
C of C no R60/2000-NL1-11.20
Certificate no. 07-020A1

Available models

Capacity	Accuracy	Full article description
5kg	C3 Excluded from OIML	BM11-C3-5kg-3B-SC
10kg	C3/C4	BM11-C3/C4-10kg-3B-SC
20kg	C3/C4	BM11-C3/C4-20kg-3B-SC
30kg	C3/C4	BM11-C3/C4-30kg-3B-SC
50kg	C3/C4	BM11-C3/C4-50kg-3B-SC
100kg	C3/C4	BM11-C3/C4-100kg-3B-SC
200kg	C3/C4	BM11-C3/C4-200kg-3B-SC
250kg	C3/C4	BM11-C3/C4-250kg-3B-SC
350kg	C3/C4	BM11-C3/C4-350kg-3B-SC
500kg	C3/C4	BM11-C3/C4-500kg-3B-SC

Specifications and dimensions are subject to change without notice and do not constitute any liability whatsoever.

Type BM11 Load Cell

Technical specifications BM11

Accuracy class		C3	OIML R60 C3	OIML R60 C4
Output sensitivity (= FS)	mV/V	2.0 ± 0.2		
Maximum capacity (E _{max})	kg	5	10, 20, 30, 50, 100, 200, 250, 350, 500	
Max. number of load cell intervals	n _{LC}	3000	3000	4000
Ratio of min. LC verification interval	Y = E _{max} / v _{min}	10000	15000	
Combined Error	%FS	≤± 0.023		≤± 0.0174
Minimum dead load	Of E _{max}	0%		
Safe overload	of E _{max}	150 %		
Ultimate overload	of E _{max}	300 %		
Zero balance	of FS	< ± 1.0 %		
Excitation, recommended voltage	V	5 ~ 12		
Excitation maximum	V	18		
Input resistance	Ω	460 ± 50		
Output resistance	Ω	350 ± 3.5		
Insulation resistance	MΩ	≥5000 (at 50VDC)		
Compensated temperature	°C	-10 ~ +40		
Operating temperature	°C	-35 ~ +65		
Storage temperature	°C	-40 ~ +70		
Element material		Stainless steel		
Ingress Protection (acc. to EN 60529)		IP68		
Recommended torque on fixation	Nm	M8:25	M10:50	
ATEX classification (optional)		II1G Ex ia II1C T4	II1D Ex iaD 20 T73°C	II3G nL IIC T4

Wiring

Features:

Shielded, 6 and 4 conductor cable for all capacities

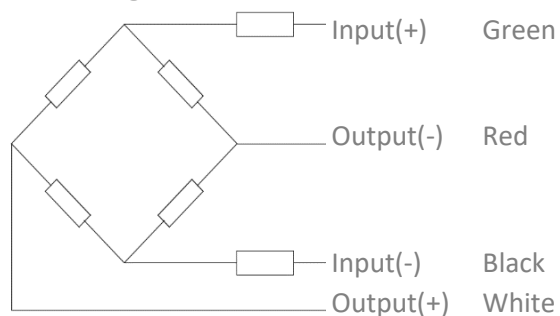
Cable diameter: Ø5mm

Standard cable length for 4 conductor cable: 3m

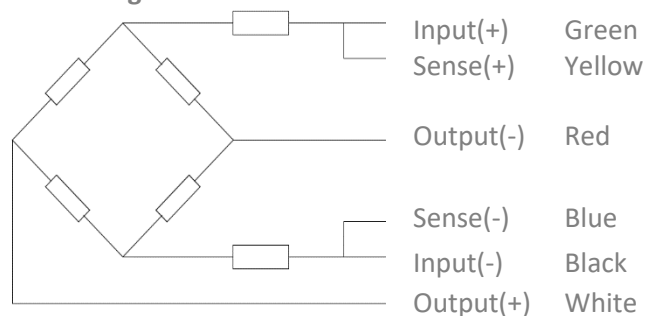
and for 6 conductor cable: 6m

Shield not connected to element

4-wire diagram



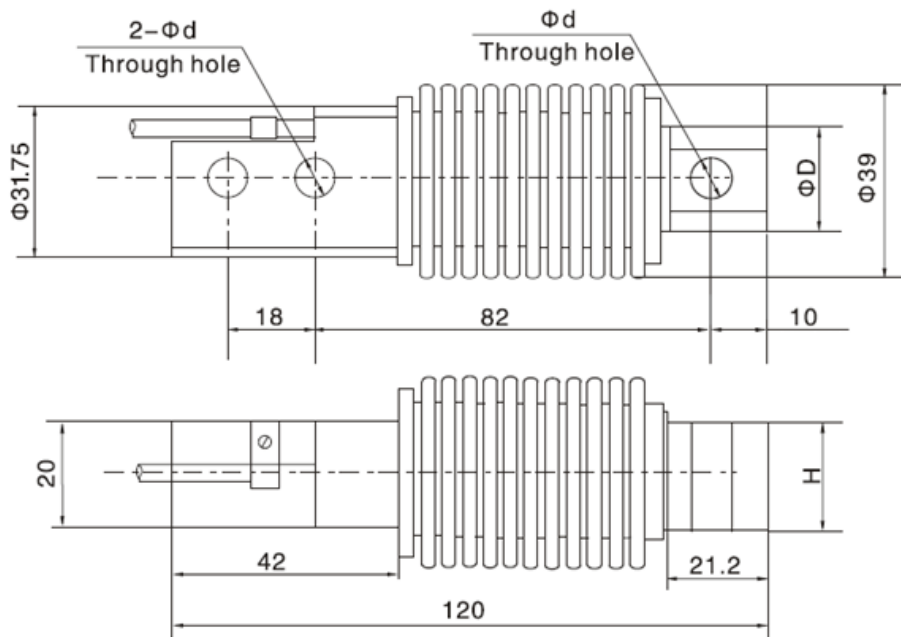
6-wire diagram



Specifications and dimensions are subject to change without notice and do not constitute any liability whatsoever.

Type BM11 Load Cell

Dimensions in mm

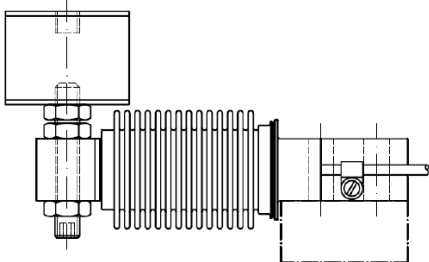
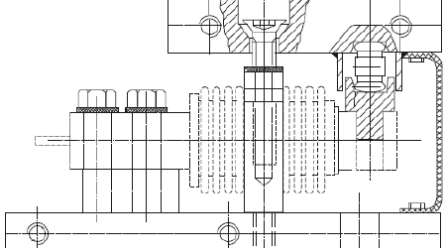
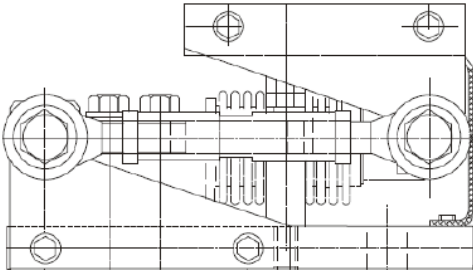
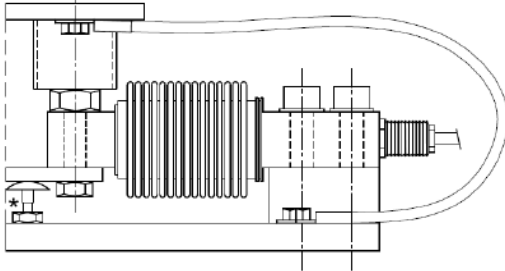


Dimension Capacity	d	D	H
5kg	8.2	23	20
10kg	8.2	23	20
20kg	8.2	23	20
30kg	8.2	23	20
50kg	8.2	23	20
100kg	8.2	23	20
200kg	8.2	23	20
250kg	10.3	24	19
350kg	10.3	24	19
500kg	10.3	24	19

Specifications and dimensions are subject to change without notice and do not constitute any liability whatsoever.

Type BM11 Load Cell

Available accessories

<p>BJ-11-220-5-500kg foot</p> <ul style="list-style-type: none">• Stainless steel• Elastomer foot• Adjustable height	
<p>BM-11-401-5-500kg mount</p> <ul style="list-style-type: none">• Stainless steel mount• Easy load cell access• Self aligning construction• Lift-off protection• Controlled horizontal movement	
<p>BM-11-402-5-500kg Mount</p> <ul style="list-style-type: none">• BM-11-401 + Stay Rod• Stainless steel mount• Easy load cell access• Self aligning construction• Lift-off protection• Stabilized by stay rod	
<p>BM-11-400-10-200kg Tank mount</p> <ul style="list-style-type: none">• Stainless steel mount• Easy load cell access• Lift-off protection	

Specifications and dimensions are subject to change without notice and do not constitute any liability whatsoever.