

DT DT512/12

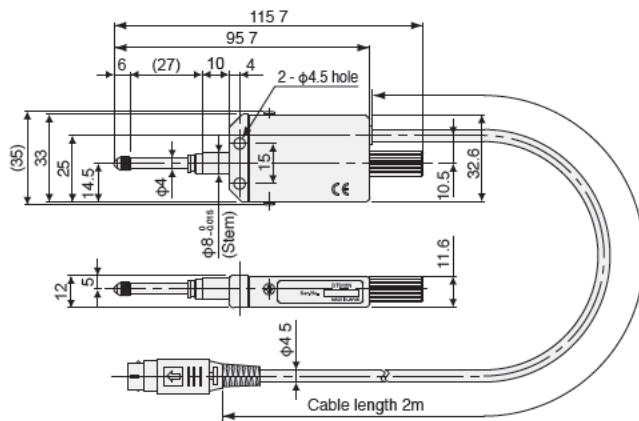


* DT512P

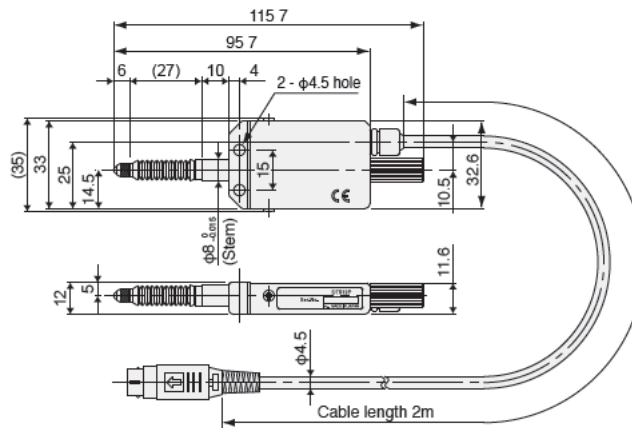
* DT12P

- Resolution 1µm
- Resolution 5µm
- Stem φ8
- Stroke 12mm

DT512N/12N



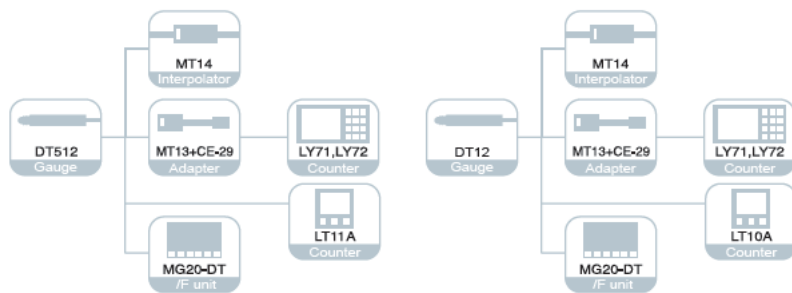
DT512P/12P



* Upon installation, clamp the stem.

* Upon installation, clamp the stem.

Unit: mm



Specifications

Model	Standard model	Protected type model	Standard model	Protected type model
	DT512N	DT512P	DT12N	DT12P
Measuring range	12 mm			
Maximum resolution	1 µm		5 µm	
Accuracy (at 20°C/68°F)	6 µm		10 µm	
Measuring force (at 20°C/68°F)	Upward: 0.7±0.5 N Horizontal: 0.8±0.5 N Downward: 0.9±0.5 N	1.7 N or less in all directions	Upward: 0.7±0.5 N Horizontal: 0.8±0.5 N Downward: 0.9±0.5 N	1.7 N or less in all directions
Maximum response speed	Depending on unit to be connected			
Reference point	None			
Spindle drive system	Spring push-out			
Achieved number of strokes ¹	5 million			
Protection grade ²	—	P64 or equivalent	—	P64 or equivalent
Operating temperature	0 to 50 °C			
Storage temperature	-10 to 60 °C			
Mass ³	Approx. 75 g	Approx. 80 g	Approx. 75 g	Approx. 80 g
Output cable length	2 m			
Feeler	Steel ball tip, Mounting screw M2.5			
Accessories	Instruction Manual			

¹ Under specific test conditions defined by Magnescale Co., Ltd.

² Excluding the connector

³ Excluding cable section