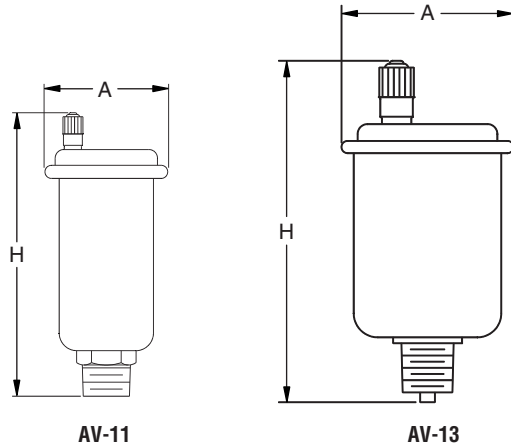


AV-11/AV-13 Air Vents

For Pressures to 150 psig (10 bar)



For Hot or Cold Water and Non-Viscous Liquids

Air vent models AV-11 and AV-13 are compact float-type valves for the removal of air and other gases from hydronic heating and cooling systems, liquid chilling operations and other light liquid services.

Physical Data						
Model	AV-11		AV-13			
Connection Size	in	mm	in	mm	in	mm
	1/8	3	1/2 Female	15 Female	3/4 Male	20 Male
"A"	1-3/4	44	2-1/8	54	2-1/8	54
"H"	3-3/8	86	4-5/8	118	4-5/8	118
Weight, lb (kg)	1/4 (0.11)		1/2 (0.23)			

Capacities							
AV-11				AV-13			
ΔP		Capacities		ΔP		Capacities	
psi	bar	cfm	m ³ /hr	psi	bar	cfm	m ³ /hr
3.5	0.24	0.5	0.84	16	1.1	1	1.7
10	0.69	1.0	1.7	48	3.3	2	3.4
24	1.7	1.5	2.5	84	5.8	3	5.1
35	2.4	1.9	3.2	120	8.3	4	6.8
50	3.4	2.0	3.4	150	10	4.9	8.3

Specifications								
Model	Application	Working Pressure		Maximum Temperature		Connection	Hydraulic Test Body	
		psi	bar	°F	°C		psig	bar
AV-11	Hot or Cold Water	1 - 50	0.06 - 3.4	210	99	NPT Screwed	200	14
AV-13		1 - 150	0.06 - 10.3				350	24

Materials		
Valve	Float	Disc
Brass	Polypropylene	Nitrile