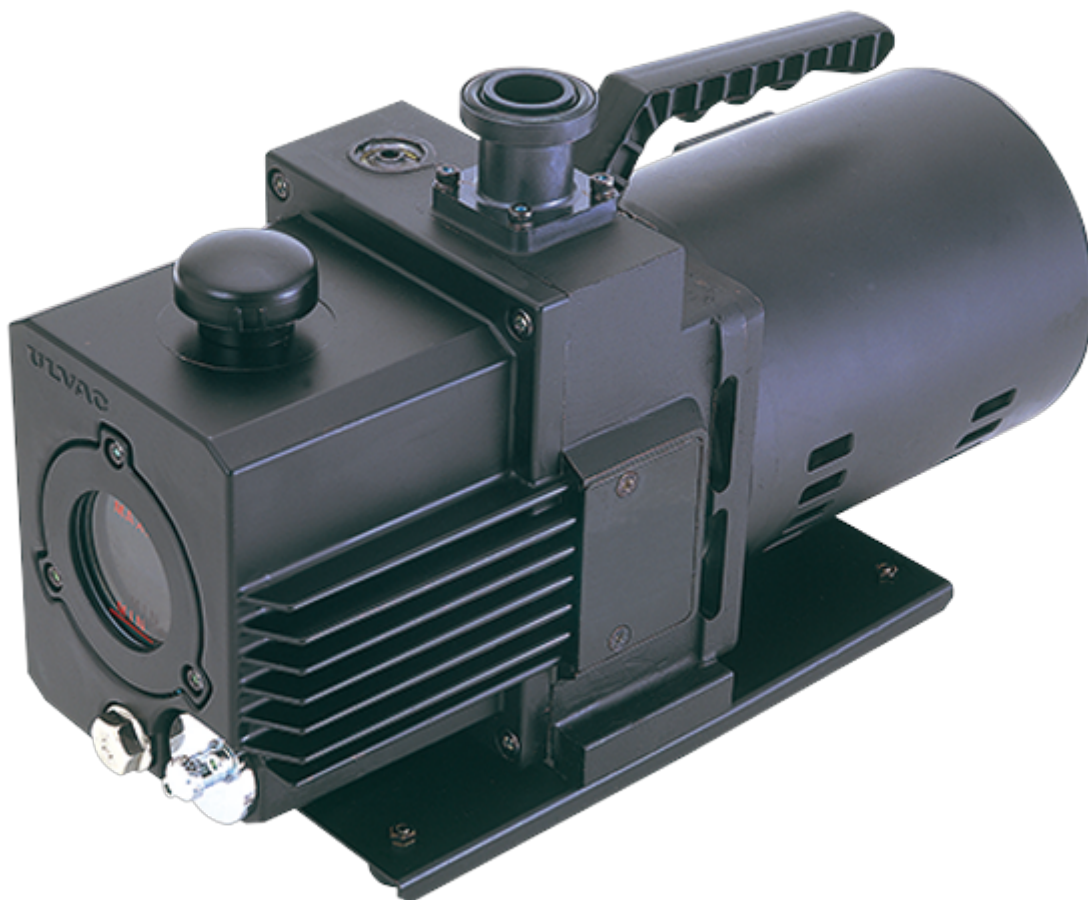


Oil-Sealed Rotary Vacuum Pumps GLS-051

GLS/GLD Series



Outline

This is a rotary blade type vacuum pump that uses lubricating oil. A vacuum pump with low noise, low vibration and high reliability. GLS series is a high-performance type.

Features and Cautions on use

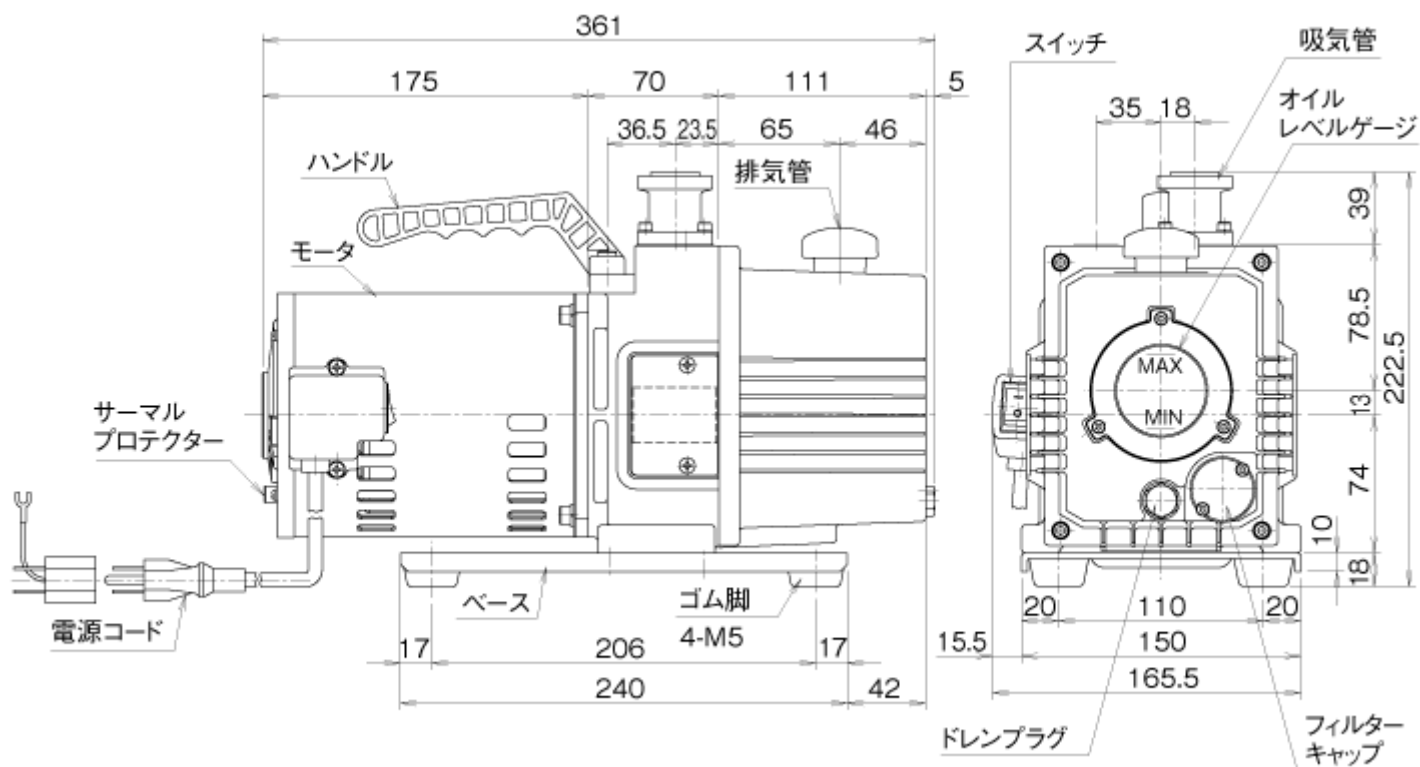
- GLD series features high performance, low vibration and noise and several functions such as gas ballast valve, oil-back-flow prevention mechanism, and large sized oil level gauge. This series equips multi-voltage motor and correspondent to international standard.

Specification

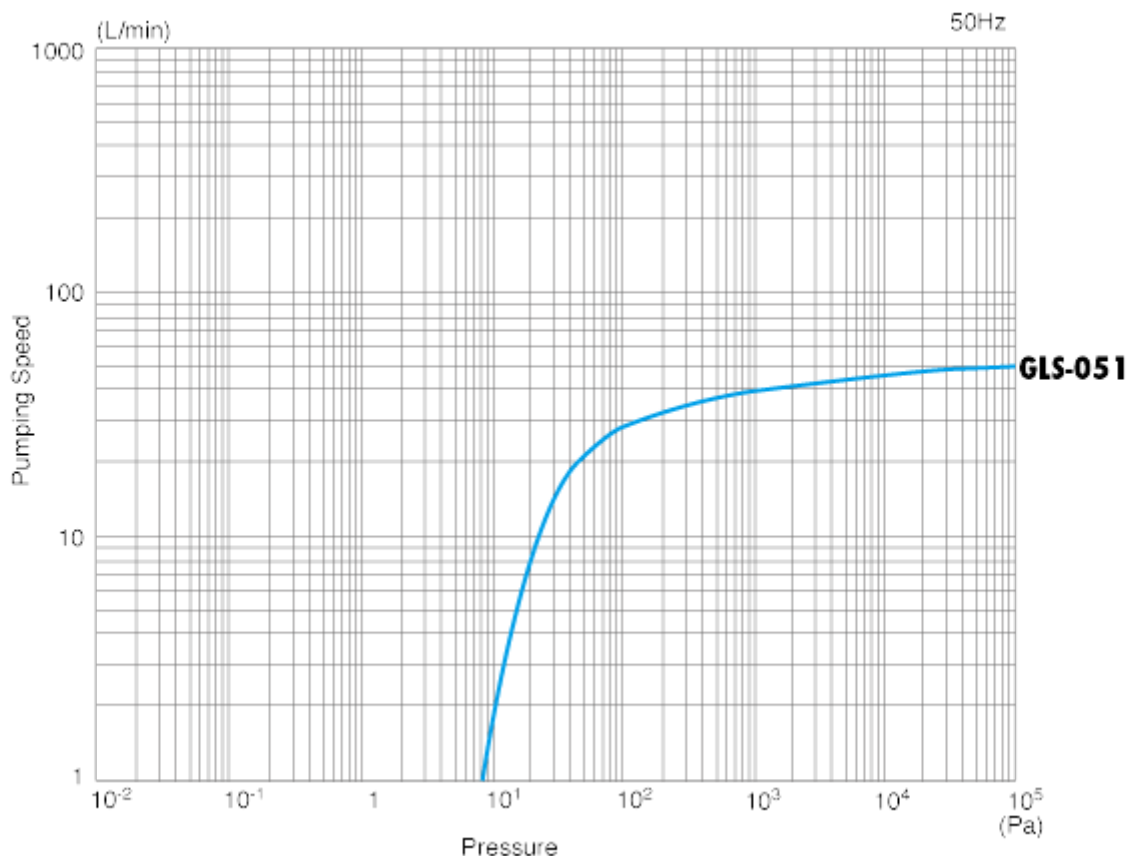
Item	Unit	50Hz	60Hz
Actual Pumping Speed	L/min	50	60
Ultimate Pressure	Pa	9.3	
Motor Output	W	200	
Recommended oil		SMR-100	
Oil capacity	mL	400~700	
Weight	kg	12.9	
Inlet, Outlet port diameter	mm	KF-25, G3/4	
Ambient temperature	°C	7~40	
Overall dimensions	mm	165.5(W) × 361(L) × 222.5(H)	
RoHS applied		●	

Ultimate pressure is the value measured by Pirani gauge.

Outline Drawing



Pumping Speed Curves



Remarks

- Oil is deteriorated with operating, and becomes the factor of performance shortage. A decrease and the dirt of oil are confirmed, and please regularly add and replace it.
- This pump has an anti-sack valve function that is effective to prevent the oil back streaming when the pump stops.
- The function is not 100% guaranteed.
- If operation is performed at high pressure, oil mist is generated at the exhaust side.
- There is a risk of explosion. Never block the outlet or operate the pump with equipment mounted at the outlet side that blocks the passage of gas. Otherwise, the internal pump pressure increases causing the pump to explode, the oil level gauge to protrude or the motor to be overloaded.
- It is a pump only in the room. Please do not set it up in the place, that rain and water splash, and outdoors.

Applied optional part items

No.	Category name	Series	Name
1	Adapter		KF25 Adapter (M20 Female)
2	Adapter	Adapter	40mm sq Adapter (M20 Female)
3	Exhaust Pipe	KF Exhaust Pipe	KF25 exhaust pipe (KF25×G3/4)
4	Exhaust Pipe	Hose Port Exhaust Pipe	Hose port exhaust pipe (dia.15×G3/4)
5	Exhaust Pipe	Hose Port Exhaust Pipe	Hose port exhaust pipe (dia.18×G3/4)
6	Adapter for Oil-mist Trap		Adapter for Oil-mist Trap
7	Fore-line Trap		OFI-050C
8	Fore-line Trap		OFI-050V
9	Oil-mist Trap	OMT Series	OMT-050A
10	Vacuum Pump Oil	SMR Series	SMR-100 18L
11	Vacuum Pump Oil	SMR Series	SMR-100 1L
12	Vacuum Pump Oil	SMR Series	SMR-100 4L
13	Suction Pipe	R1/4 Suction Port	A-type suction pipe (R1/4-L20 Male ×M20)

14	Suction Pipe	R1/4 Suction Port	B-type suction pipe (R1/4 Female ×M20)
15	Suction Pipe	R1/4 Suction Port	C-type suction pipe (R1/4-L10 Male × M20)
16	Suction Pipe	KF25 Suction Port	KF25 suction pipe (KF25×M20)
17	Suction Pipe	KF25 Suction Port	KF25 suction pipe(KF25×40mm sq)
18	Suction Pipe	Hose Port Suction Pipe	Hose port suction pipe (dia.12×M20)
19	Suction Pipe	Hose Port Suction Pipe	Hose port suction pipe (dia.15×M20)
20	Suction Pipe	Hose Port Suction Pipe	Hose port suction pipe (dia.18×M20)
21	Suction Pipe	Hose Port Suction Pipe	Hose port suction pipe (dia.22×M20)
22	Suction Pipe	Hose Port Suction Pipe	Hose port suction pipe (dia.27×40mm sq)
23	Suction Pipe	Hose Port Suction Pipe	Hose port suction pipe (dia.8 × M20)

アルバック機工株式会社

〒881-0037

宮崎県西都市大字茶臼原291-7

TEL:(0983)42-1411(代)

FAX:(0983)42-1422