



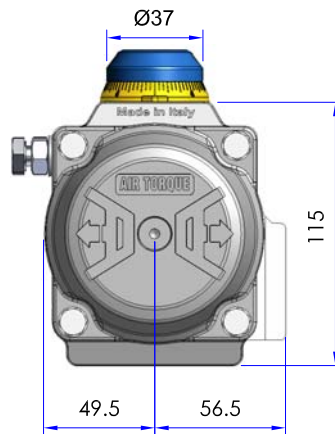
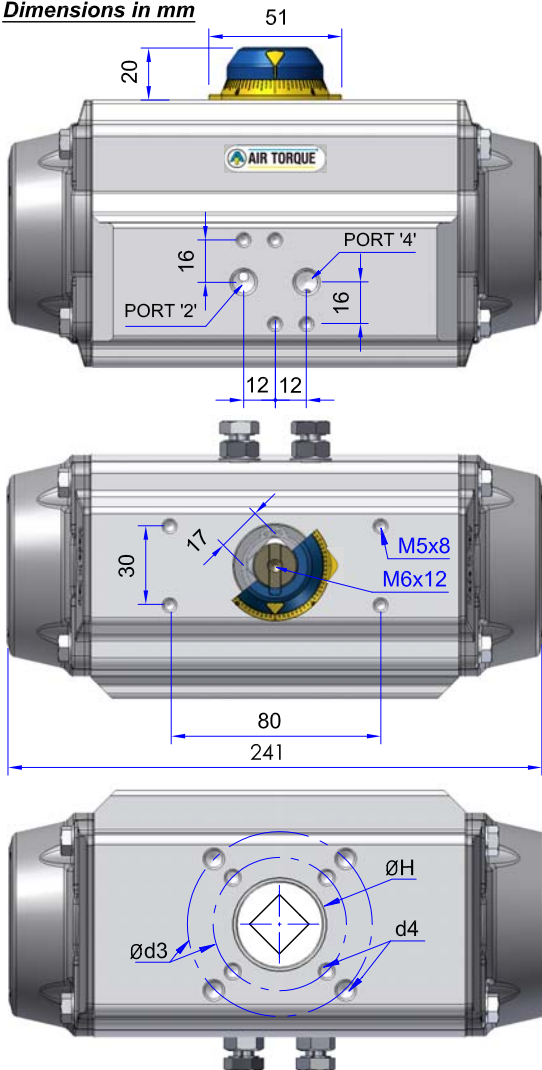
AIR TORQUE

AIR TORQUE S.p.A.
 via Alla Campagna, N° 1
 24060 Costa di Mezzate (Bg) Italy
 Tel.: +39 035 682299
 Fax: +39 035 687791
 E-mail: info@airtorque.it

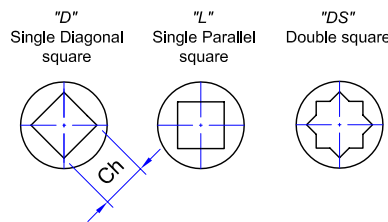
Model AT251 U
D/S - 90°

T.D.S. n° AT251U-DM
 Issued on: 10/09 - Page 1/1

Dimensions in mm

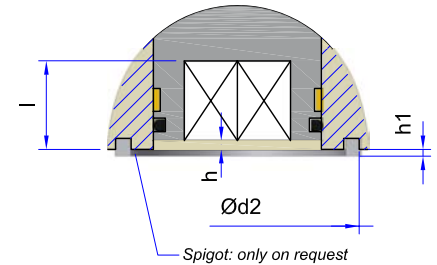


Optional Square:



ISO 5211 Flange Dimensions Available

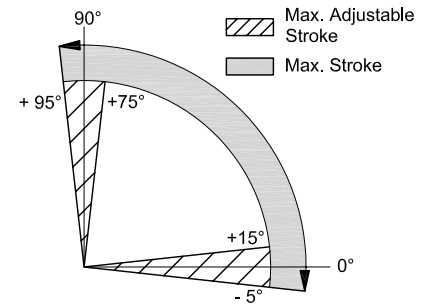
ISO 5211	STD		OPTIONAL
	F05 + F07	F07	
Ø d2	40	NA	55
Ø d3	50	70	70
d4	M6x9	M8x12	M8x12
Ø H	40		55
Ch x l	11x12 - 14x19 - 17x19		
min. DS	17x19		
h min.	1,5	1,5	1,5
h1	1,5	NA	2



Connection / Attachment

Pressure connection: Port 2 and 4	G1/8"
Ancillary Attachment	AA1

Rotation and stroke adjustment



Output Torque

Pressure	OUTPUT TORQUE FOR DOUBLE ACTING IN Nm												APPROX. WEIGHT (Kg)
	2,5 bar 0° 90°	3 bar 0° 90°	3,5 bar 0° 90°	4 bar 0° 90°	4,2 bar 0° 90°	4,5 bar 0° 90°	5 bar 0° 90°	5,5 bar 0° 90°	6 bar 0° 90°	7 bar 0° 90°	8 bar 0° 90°		
D	45,8	54,9	64,1	73,2	76,9	82,4	91,5	101	110	128	146	3,82	

Pressure	OUTPUT TORQUE FOR SPRING RETURN IN Nm												Spring stroke 90° 0°	APPROX. WEIGHT (Kg)	
	2,5 bar 0° 90°	3 bar 0° 90°	3,5 bar 0° 90°	4 bar 0° 90°	4,2 bar 0° 90°	4,5 bar 0° 90°	5 bar 0° 90°	5,5 bar 0° 90°	6 bar 0° 90°	7 bar 0° 90°	8 bar 0° 90°				
Spring	Start End	Start End	Start End	Start End	Start End	Start End	Start End	Start End	Start End	Start End	Start End	Start End	Start End	Start End	
S 05	27,4 16,9	36,6 26	45,7 35,2	54,9 44,3	58,5 48	64 53,5	73,2 62,6							28,9 18,3	4,07
S 06	23,8 11,1	32,9 20,3	42,1 29,4	51,2 38,6	54,9 42,2	60,4 47,7	69,5 56,9	78,7 66						34,7 22	4,12
S 07		29,2 14,5	38,4 23,6	47,5 32,8	51,2 36,4	56,7 41,9	65,8 51,1	75 60,2	84,2 69,4					40,4 25,7	4,17
S 08			34,7 17,9	43,9 27	47,5 30,7	53 36,2	62,2 45,3	71,3 54,5	80,5 63,6	98,8 81,9				46,2 29,3	4,22
S 09				40,2 21,2	43,9 24,9	49,4 30,4	58,5 39,5	67,7 48,7	76,8 57,8	95,1 76,1	113 94,5			52 33	4,27
S 10						45,7 24,6	54,8 33,8	64 42,9	73,1 52,1	91,5 70,4	110 88,7			57,8 36,7	4,32
S 11							51,2 28	60,3 37,1	69,5 46,3	87,8 64,6	106 82,9			63,5 40,3	4,37
S 12								56,7 31,4	65,8 40,5	84,1 58,8	102 77,1			69,3 44	4,42

Technical Data

Max. Pressure	Rotation (For STD)	Screw stroke Adjustment	Chamber Ø (mm)	Air Volume (L)		Moving Time (Sec.) (A)	
				Opening	Closing	Opening	Closing
8 bar	0° - 90°	For 1° adj. need 1/6 Turn	88	0,51	0,78	D 0,40 S 0,50	D 0,50 S 0,60

Operating Temperature Range

Operating Temperature (°C) (B)		
ST (standard)	HT (high temperature)	LLT (Extreme low temperature)
- 40 to + 80	- 15 to + 150	- 55 to + 80

A) - The above indicated moving time of the actuator is obtained in the following test conditions: (1) Room Temperature, (2) Actuator Stroke 90°, (3) Solenoid Valve with Orifice of 4 mm and a flow capacity Qn 400 L/min., (4) Inside pipe diameter 8 mm, (5) Medium clean air, (6) Air supply pressure 5,5 bar (79,75 Psi), (7) Actuator without external resistance load. **Caution: obviously on the field applications when one or more of the above parameters are different, the moving time will be different.**

B) - Every temperature range option requires proper components and lubricant. See technical data-sheet N° T.D.S. U00501E.

Operating Medium:

The operating medium must be free of dust and oil. The maximum particle size must not exceed 30µ (ISO 8573 Part1, Class5). In order to prevent water condensation and/or solidification (ice when actuator works below 0°C), the operating medium must have a dew point equal to -20°C or at least 10°C below the ambient temperature (ISO 8573 Part1, Class3).