



**Spinnaker - SPD24B1 - 032183 - No**  
 (Family) (Model) (Part #) (In Stock)

**Electrical Specifications**

Operating Voltage:	24 Volts
Voltage Range:	12 - 28 Volts
Power Supply:	30.0 Watts
Line Current:	1.25 Amps
Locked Rotor Current	2.00 Amps
Nominal Speed:	2500 RPM

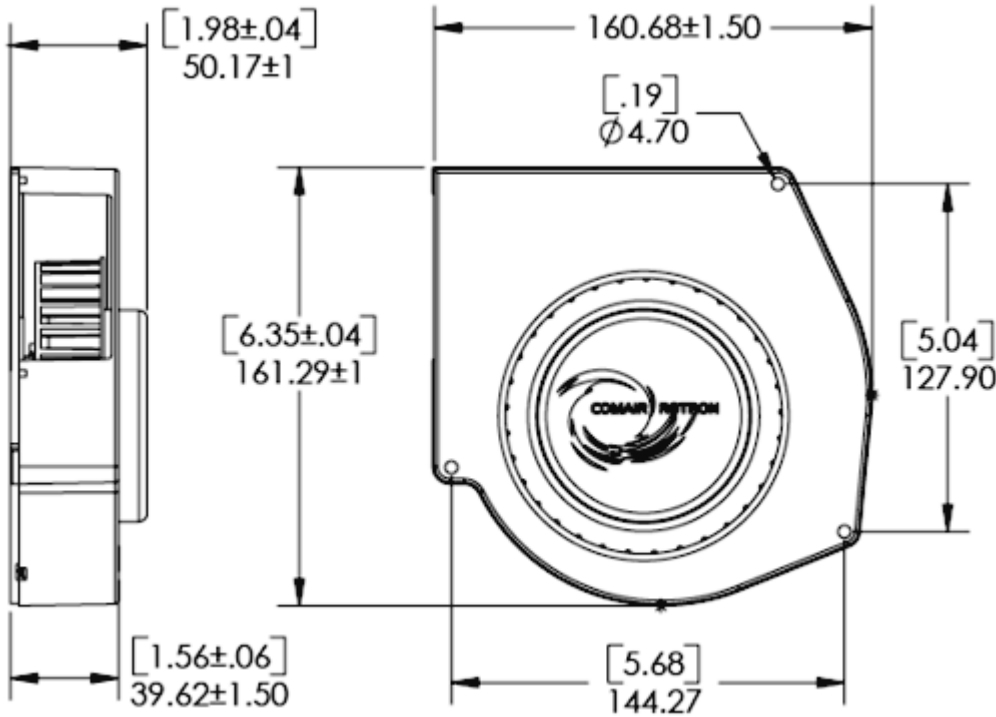


**Mechanical Specifications**

Dimensions:	6.4 x 6.4 x 1.6 in
Weight	33.6 oz
Max Airflow @ 0 in H <sub>2</sub> O	60.0 CFM
Max Pressure @ 0 CFM	1.100 in H <sub>2</sub> O
Noise	57.0 dBA

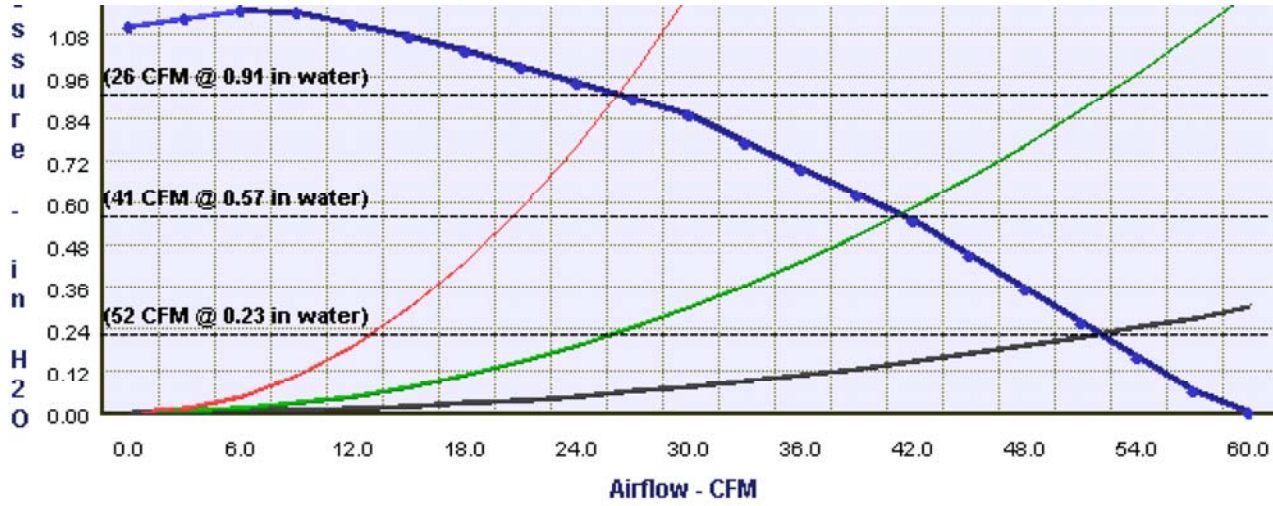


**Mechanical Drawing**





## Blower Performance Curve



## Blower Configuration Options

**Spinnaker** (Family)    **SPD24B1** (Model) / **032183** (Part #)    **No** (In Stock)    305 mm [12 inch] Leads (Features)

**Blower Speed:** 2500 RPM    **Blower Bearings:** Ball Bearings  
**Blower Airflow Direction:** Flow L (CW Rotation)    **Blower Termination:** Leads

**Blower Monitoring Options:** No Blower Monitoring Options Selected

**Blower Speed Control Option:** No ThermaPro-V Blower Speed Control Options Selected

**Environmental Protection Options:** No Enviroshield Options Selected

