

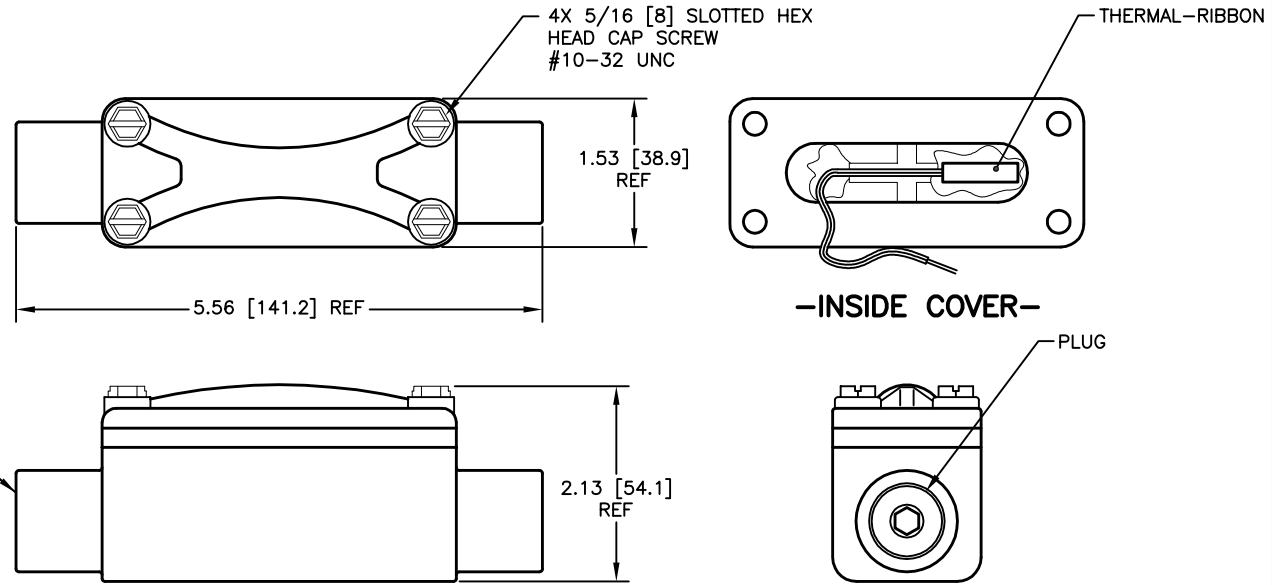
WHEN ORDERING SPECIFY SENSING ELEMENT, NUMBER OF LEADS, LEAD LENGTH AND OUTER SURFACE TYPE.

S100147PDY ← EXAMPLE OF MODEL NUMBER

S100147PD BASE MODEL NUMBER:
(SEE TABLE BELOW FOR AVAILABLE MODELS).

Y NUMBER OF LEADS:
Y = 2 LEADS;
Z = 3 LEADS.

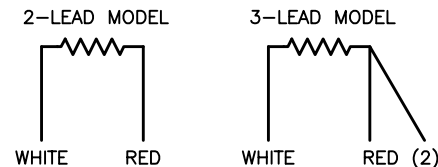
| REVISIONS | | | | | |
|-----------|---|----------|---------|-----|------|
| REV | DESCRIPTION | DATE | ECO | DR | APPD |
| B | NOTE 9: ENCLOSURE IS UL LISTED WAS UL LISTED | 07-08-11 | 1601121 | BMP | MJF |
| C | 1.53 WAS 1.60; 2.13 WAS 2.05; REPLACED .90 & 3.75 WITH OVERALL LENGTH | 11-07-14 | 2163214 | DMK | PLL |
| D | REPLACED ALL TOLERANCES WITH "REF" | 04-24-15 | 2213420 | DMK | PLL |



| BASE MODEL NUMBER | RESISTANCE | TCR Ω/Ω/°C | ELEMENT | R/T TABLES | |
|-------------------|--------------------------------------|---------------|----------|------------|---------|
| | | | | °C | °F |
| S100147PD | 100.00Ω ±.12% (100.12/99.88) @0°C | .00385(B) | PLATINUM | 5-100 | 6-100 |
| S100148PF | 1000.0Ω ±.12% (1001.2/998.8) @0°C | .00385 | PLATINUM | 5-1000 | 6-1000 |
| S101607PS | 10000Ω ±.12% (10012/9988) @0°C | .00385 | PLATINUM | 5-10000 | 6-10000 |
| S101608PW | 1000.0Ω ±.12% (1002.0/998.0) @0°C | .00375 | PLATINUM | | |

- ELEMENT: PLATINUM.
- RESISTANCE: (SEE TABLE ABOVE)
LEADWIRE RESISTANCE OF APPROXIMATELY .08 OHMS IS EXCLUDED IN THE CALIBRATED RESISTANCE.
- TEMPERATURE RANGE: -45.5°C TO 100°C (-50°F TO 212°F).
- INSULATION RESISTANCE: 1,000 MEGOHMS MINIMUM AT 500 VOLTS DC, LEADS TO BODY.
- LEADS: AWG #26, STRANDED, TFE INSULATED, 6.0 LONG.
- SENSOR MATERIAL: POLYIMIDE FILM.
- BODY/COVER MATERIAL: COPPER FREE ALUMINUM, POWDER COATED.
- (B) THE "PD" MODEL WILL MEET THE RESISTANCE-TEMPERATURE RELATIONSHIP AND TOLERANCES SPECIFIED IN IEC 751, CLASS B.
- QUALIFICATIONS: ENCLOSURE IS UL LISTED AND CSA APPROVED FOR NATIONAL ELECTRIC CODE CLASS I, DIV. 1 AND 2, GROUPS C, D; CLASS II, DIV. 1 AND 2, GROUPS E, F, G; CLASS III.

SCHEMATIC DIAGRAMS



| UNLESS OTHERWISE SPECIFIED DIMENSIONS AND TOLERANCES IN INCHES DIMENSIONS IN [] ARE IN MILLIMETERS | | INITIALS | DATE | ITEM | REQD | INVENTORY NO | MATERIAL DESCRIPTION | |
|---|---------------|-----------|-------------|------|--------------|--------------|---|--|
| ONE PLACE (.0) | ±.020 [±0.51] | DR | 06-03-97 | AEG | | | TITLE: RESISTANCE THERMOMETER EXPLOSIONPROOF ROOM AIR TYPE REF: TAB0065 | |
| TWO PLACE (.00) | ±.010 [±0.25] | CHK | 06-10-97 | BAL | | | | |
| THREE PLACE (.000) | ±.005 [±0.13] | APP | 06-11-97 | MJK | | | | |
| ANGLES: | | ENGR | 06-11-97 | DLW | | | | |
| | | QA | | | | | | |
| MATERIAL: | | PRD | 06-11-97 | SHR | | | S100147PD/S100148PF S101607PS/S101608PW | |
| FINISH: | | NEXT ASSY | PROD. CODE | 470 | | | REV D CAGE IDENT. 09359 SHEET 1 OF 1 | |
| | | USED ON | INIT. ORDER | | INVENTORY NO | SCALE NONE | DWG SIZE B | |



COMPANY CONFIDENTIAL
 PROPRIETARY INFORMATION OF MINCO PRODUCTS, INC.
 DO NOT DUPLICATE