




F.R.L. combination Standard White Series

C1000/C2000/C2500-W C3000/C4000/C6500/C8000-W Series

Space-saving with integrated filter, regulator and lubricator








● Port size: 1/8 to 1

JIS symbol 



Specifications

1 MPa ≈ 145.0 psi, 1 MPa = 10 bar

Descriptions		C1000-W	C2000-W	C2500-W	C3000-W	C4000-W	C6500-W	C8000-W
Appearance								
Components	Air filter	F1000-W	F2000-W	F3000-W	F3000-W	F4000-W	F6000-W	F8000-W
	Regulator	R1000-W	R2000-W	R2000-W	R3000-W	R4000-W	R6000-W	R8000-W
	Lubricator	L1000-W	L3000-W	L3000-W	L3000-W	L4000-W	L8000-W	L8000-W
Working fluid		Compressed air						
Max. working pressure MPa		1.0 (≈150 psi, 10 bar) *2						
Proof pressure MPa		1.5 (≈220 psi, 15 bar)						
Ambient / fluid temperatures °C		5 (41°F) to 60 (140°F)						
Filtration rating μm		5						
Set pressure MPa		0.05 to 0.85 *2	0.05 (≈7.3 psi, 0.5 bar) to 0.85 (≈120 psi, 8.5 bar)					
Min. drip flow rate (*1) m ³ /min(ANR)		0.015	0.03	0.03	0.03	0.065	0.065	0.065
Pressure relief		With relief mechanism						
Oil storage capacity cm ³		20	85	85	85	170	170	170(MAX 360)
Drain capacity cm ³		12	25	45	45	80	80	80 (*3)
Oil used		Turbine oil Class 1 ISO VG32 (spindle oil cannot be used)						
Port size Rc,NPT,G		1/8,1/4 (3/8 uses an adaptor)	1/4,3/8 (1/2 uses an adaptor)	1/4,3/8 (1/2 uses an adaptor)	1/4,3/8 (1/2 uses an adaptor)	1/4,3/8,1/2 (3/4 uses an adaptor)	3/4,1 (1 1/4 uses an adaptor)	3/4,1 (1 1/4 uses an adaptor)
Weight kg		0.40	1.01	1.01	1.15	1.79	3.64	4.5
Standard accessories		Pressure gauge, bracket, bowl guard						

*1: The min. drip flow is that at which five drops of turbine oil drip per minute at the set pressure of 0.5 MPa.

*2: When using the C1000-W Series "F1" with auto-drain, the min. working pressure is 0.2 MPa and max. working pressure is 0.7 MPa.

Refer to the max. working flow rate table (page 96) for F1000-W-F1 auto-drain for the max. working flow rate. Set the working flow rate to less than or equal to the max. working flow rate.

*3: Up to 170 cm³ is stored with the manual drain cock only.

*4: In the case of "F" or "FF" with auto-drain, the min. working pressure of auto-drain is 0.1 MPa. Air is purged with initial drain until pressure reaches 0.1 MPa.

*5: In the case of "F1" or "FF1" with auto-drain, the min. working pressure of auto-drain is 0.15 MPa.

*6: When element option "Y" is selected, refer to the max. working flow rate table (page 98) for the max. flow rate. Set the working flow rate to less than or equal to the max. working flow rate.

*7: C2000-W Series with "F1" (with auto-drain) must be used at equal to or less than the max. working flow rate. (Refer to the F2000-W section on page 96 for max. flow rate.)

F.R.L. Combination

Specifications

Option weight

* Add to the weight of the standard accessories.

Unit: kg

Code	Drain discharge					Bowl material		Press.gauge	Pipe adaptor set						
	F	F1	FF	FF1	C	M	M1	T*	A6*W	A8*W	A10*W	A15*W	A20*W	A25*W	A32*W
C1000		0.007			0			0	0.09	0.09	0.09				
C2000		0.02			0		0.2	0		0.16	0.16	0.16			
C2500		0.02			0	0.2	0.2	0		0.16	0.16	0.16			
C3000	0.02	0.02			0	0.2	0.2	0		0.16	0.16	0.16			
C4000	0.02	0.02			0	0.2	0.2	0		0.16	0.16	0.16	0.16		
C6500	0.02	0.02			0	0.2	0.2	0					0.53	0.53	0.53
C8000	0.02	0.02	0.02	0.02	0	0.2	0.2	0					0.53	0.53	0.53

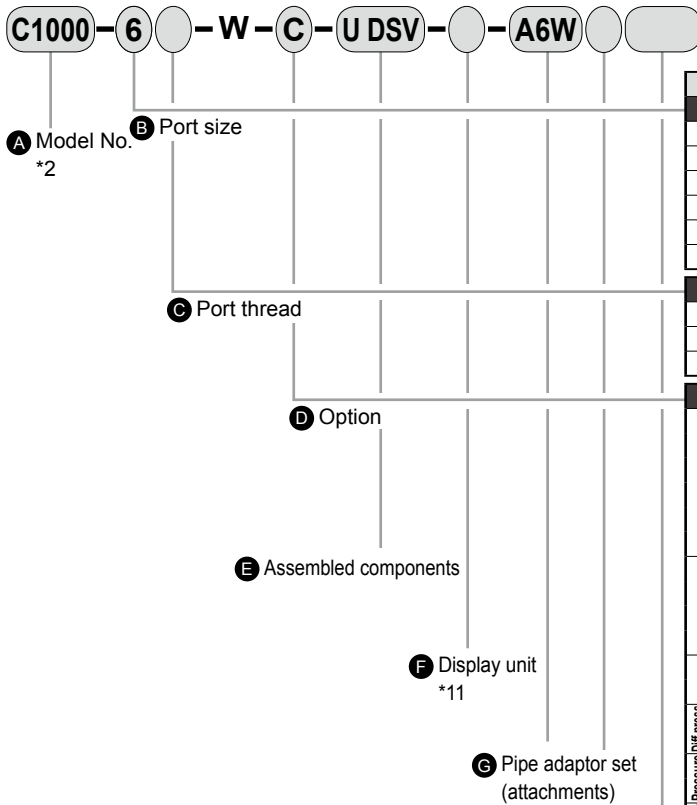
Code	Assembled components					Pressure gauge					
	D	S	P	V	K	G45P	G49P	G59P	G40P	G52P	R2
C1000	0.056	0.15		0.18		0.074	0.086	0.115	0.085	0.15	0.04
C2000	0.17	0.23	0.54	0.29	0.34	0.074	0.086		0.085	0.15	0.04
C2500	0.17	0.23	0.54	0.29	0.34	0.074	0.086	0.115	0.085	0.15	0.04
C3000	0.17	0.23	0.54	0.29	0.34	0.074	0.086	0.115	0.085	0.15	0.04
C4000	0.17	0.23	0.54	0.29	0.34	0.074	0.086	0.115	0.085	0.15	0.04
C6500	0.45	0.51			0.9	0.074	0.086	0.115	0.085	0.15	0.04
C8000	0.45	0.51			0.9	0.074	0.086	0.115	0.085	0.15	0.04

F.R.L
F (Filtr)
R (Reg)
L (Lub)
PresSW
Shutoff
SlowStart
FmResistFR
Oil-ProhR
MedPresFR
No Cu/ PTFE FRL
Outdrs FR
F.R.L (Related)
CompFRL
LgFRL
PrecsR
VacF/R
Clean FR
ElecPneuR
AirBoost
SpdContr
Silncr
CheckV/ other
Jnt/tube
AirUnt
PrecsCompn
Mech/ ElecPresSw
ContactSW
AirSens
PresSW Cool
AirFloSens/ Contr
WaterRtSens
TotAirSys (Total Air)
TotAirSys (Gamma)
RefrDry
DesicDry
HiPolymDry
MainFiltr
Dischrg etc
Ending

F.R.L. Combination

How to order

Refer to page 28 for the explanation of the option.



⚠️ Precautions for model No. selection

- *1: Pipe adaptor A400-20*-W is assembled on both ends of C4000-20*-W. A20*W does not need to be selected for the pipe adaptor set.
- *2: G threads and NPT threads are available for IN, OUT, gauge port and drain outlet (metal bowl with auto-drain). Attachments P and V are also included.
- *3: Select options for the drainage, bowl material, element, differential pressure detection and regulator. When selecting options for several items, list options in order from the top.
- *4: Refer to page 280 for the auto-drain usage conditions.
- *5: When selecting option "M1", select the drain discharge option "C".
- *6: Refer to page 98 for max. processing flow rate when option "Y" is selected.
- *7: The pressure gauge's indication range is 0 to 0.4 MPa for the option "L".
- *8: Installation position for assembled components

Code	Attachment install positions	Compatible model
D	F+(D)+R+L	C1000-W to C8000-W
S or P	F+R+(S,P)+L	C1000-W to C8000-W ("P" excludes 1000, 6000 and 8000 Series)
V or K	F+R+L+(V,K)	C1000-W to C8000-W ("V" excludes 6000 and 8000 Series and "K" excludes 1000 Series)

Note) Indicate "U"+"D", "S","P","V" and "K" when selecting an assembled component.
Use custom combination specifications sheet for any other combination.

- *9: The joiner set is enclosed with the pipe adaptor set.
- *10: If NPT is selected for Ⓒ Port thread, an NPT pressure gauge is supplied. If Rc or G thread is selected, an R thread pressure gauge is supplied.
- *11: Display unit options when selecting NPT threads: If Blank is selected, the pressure unit is psi and the temperature display unit is °F.
When G thread and Blank display unit option are selected, the pressure unit will be bar and the temperature display unit will be °C.
When NPT/G thread and "J1" display unit option are selected, the pressure unit will be MPa and the temperature display unit will be °C.

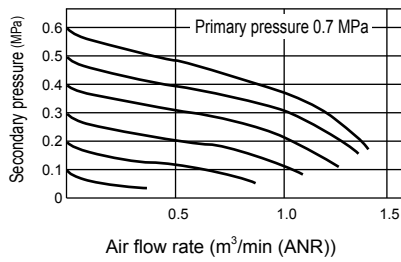
		A Model No. *1						
		C1000	C2000	C2500	C3000	C4000	C6000	C8000
B Port size								
Blank	Rc thread	●	●	●	●	●	●	●
N	NPT thread	●	●	●	●	●	●	●
G	G thread	●	●	●	●	●	●	●
C Port thread								
D Option								
Drain discharge *4	Blank	Filter with manual drain cock, lubricator without manual cock	●	●	●	●	●	●
	C	Lubricator with manual cock	●	●	●	●	●	●
	F	Filter/auto-drain with manual override (NO: Exhaust when not pressurized)			●	●	●	●
	F1	Filter/auto-drain with manual override (NC: No exhaust when not pressurized)	●	●	●	●	●	●
	FF	Filter/large auto-drain with manual override (NO: Exhaust when not pressurized)					●	●
FF1	Filter/large auto-drain with manual override (NC: No exhaust when not pressurized)						●	●
Element/Bowl material	Blank	Polycarbonate bowl	●	●	●	●	●	●
	Z	Nylon bowl	●	●	●	●	●	●
	M	Metal bowl					●	●
	M1	Metal bowl with manual drain cock *5			●	●	●	●
Element/Bowl material	Blank	5 μm	●	●	●	●	●	●
	Y	0.3 μm (submicron) *6			●	●	●	●
	Blank	Without differential pressure detection port	●	●	●	●	●	●
Diff press. detect	Q	With differential pressure detection port (Rc1/4)					●	●
	Blank	0.05 to 0.85 MPa	●	●	●	●	●	●
Pressure range	L	0.05 to 0.35 MPa *7	●	●	●	●	●	●
	Blank	With relief mechanism	●	●	●	●	●	●
Pressure relief	N	Non-relief	●	●	●	●	●	●
	Blank	With standard pressure gauge (G401-W)	●	●	●	●	●	●
	T	No pressure gauge (gauge port (1/4) is assembled sealed)	●	●	●	●	●	●
Pressure gauge	T8	Pressure gauge ready (gauge port (1/4) is left open)	●	●	●	●	●	●
	Blank	Standard flow (left → right)	●	●	●	●	●	●
Flow direction	X1	Reverse flow (right → left)	●	●	●	●	●	●
	E Assembled components		Pages 148 to 159, 268 and 269					
Assembled component	Blank	Without assembled component	●	●	●	●	●	●
	U	Assembled component *8	●	●	●	●	●	●
	D	Distributor (D101-W, D401-W, D801-W)	●	●	●	●	●	●
	S	Pressure switch (P1100-W, 4100-W, 8100-W)	●	●	●	●	●	●
	P	Pressure switch (P4000-W)	●	●	●	●	●	●
	V	Shut-off valve (V1000-W, 3000-W)	●	●	●	●	●	●
	K	Shut-off valve with keyhole (V3010-W, V6010-W)	●	●	●	●	●	●
F Display unit								
Blank	MPa display, Rc thread	●	●	●	●	●	●	●
J1	MPa display, NPT, G thread	●	●	●	●	●	●	●
G Pipe adaptor set (attachments)		Page 271 *9						
Blank	Not attached	●	●	●	●	●	●	●
A6*W	1/8 pipe adaptor set	●						
A8*W	1/4 pipe adaptor set	●						
A10*W	3/8 pipe adaptor set	●	●	●	●	●	●	●
A15*W	1/2 pipe adaptor set		●	●	●	●	●	●
A20*W	3/4 pipe adaptor set					●	●	●
A25*W	1 pipe adaptor set						●	●
A32*W	1 1/4 pipe adaptor set						●	●
Adaptor thread								
Blank	Rc thread	●	●	●	●	●	●	●
N	NPT thread	●	●	●	●	●	●	●
G	G thread	●	●	●	●	●	●	●
H Other attachments								
Blank	Not attached	●	●	●	●	●	●	●
PW	Pressure switch (P4000-W) + joiner set	●	●	●	●	●	●	●
VW	Shut-off valve (V1000-W, V3000-W) + joiner set	●	●	●	●	●	●	●
I Pressure gauge option (attachments)		Page 289 *10						
Blank	Not attached	●	●	●	●	●	●	●
G45P	G45D-8-P10(L:G45D-8-P04)	●	●	●	●	●	●	●
G49P	G49D-8-P10(L:G49D-8-P04)	●	●	●	●	●	●	●
G59P	G59D-8-P10(L:G59D-8-P04)	●	●	●	●	●	●	●
G40P	G40D-8-P10(L:G40D-8-P04)	●	●	●	●	●	●	●
G52P	G52D-8-P10(L:G52D-8-P10)	●	●	●	●	●	●	●

H Attachment

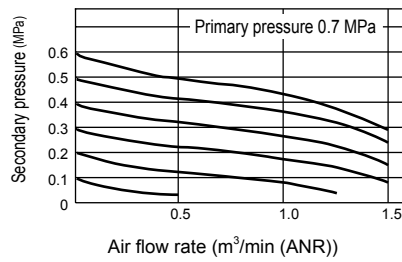
I Pressure gauge option (attachments)

Flow characteristics

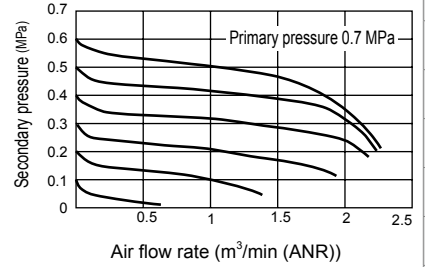
● C1000-6-W



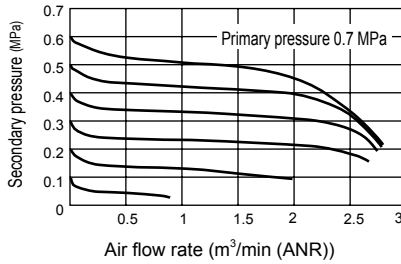
● C1000-8-W



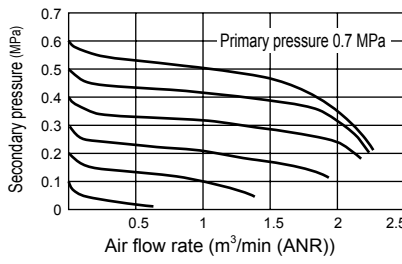
● C2000-8-W



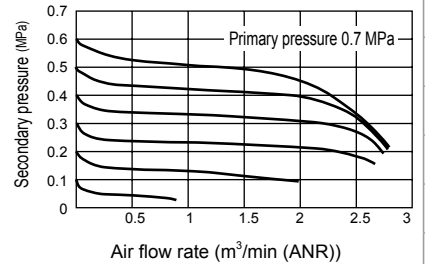
● C2000-10-W



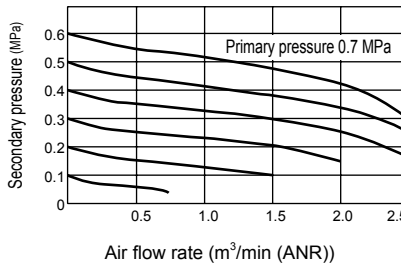
● C2500-8-W



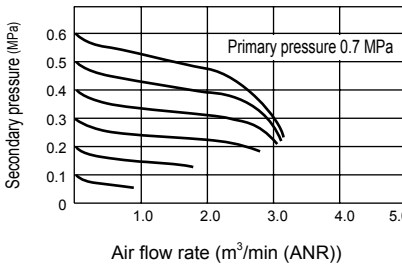
● C2500-10-W



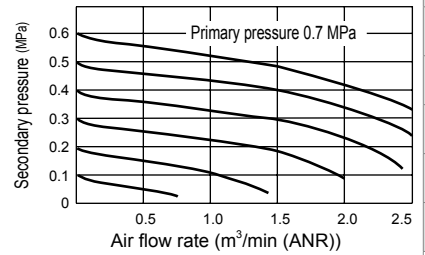
● C3000-8-W



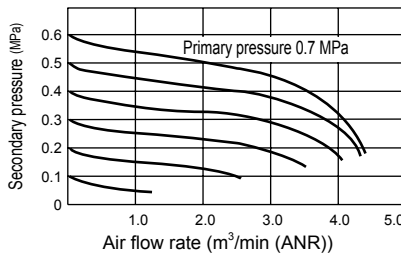
● C3000-10-W



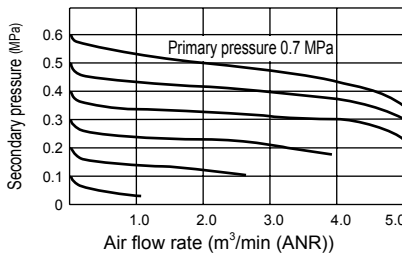
● C4000-8-W



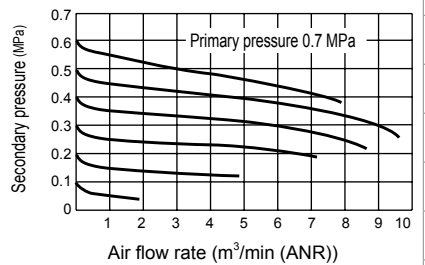
● C4000-10-W



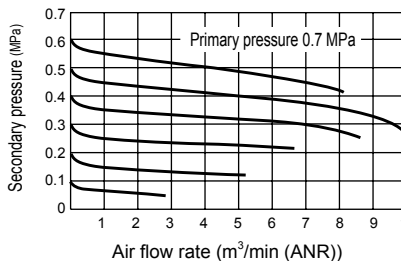
● C4000-15-W



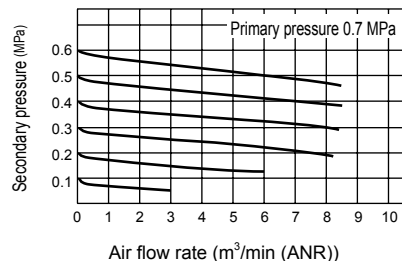
● C6500-20-W



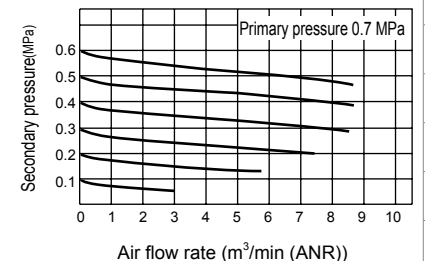
● C6500-25-W



● C8000-20-W



● C8000-25-W



F.R.L
F (Filtr)
R (Reg)
L (Lub)
PresSW
Shutoff
SlowStart
FmResistFR
Oil-ProhR
MedPresFR
No Cu/PTFE FRL
Outdrs FR
F.R.L (Related)
CompFRL
LgFRL
PrecsR
VacF/R
Clean FR
ElecPneur
AirBoost
SpdContr
Silncr
CheckV/other
Jnt/tube
AirUnt
PresCompn
Mech/ElecPresSw
ContactSW
AirSens
PresSW Cool
AirFloSens/Contr
WaterRtSens
TotAirSys (Total Air)
TotAirSys (Gamma)
RefrDry
DesicDry
HiPolymDry
MainFiltr
Dischrg etc
Ending

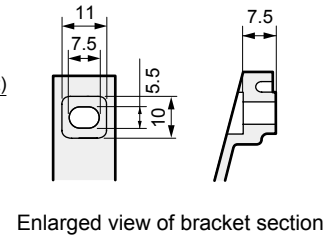
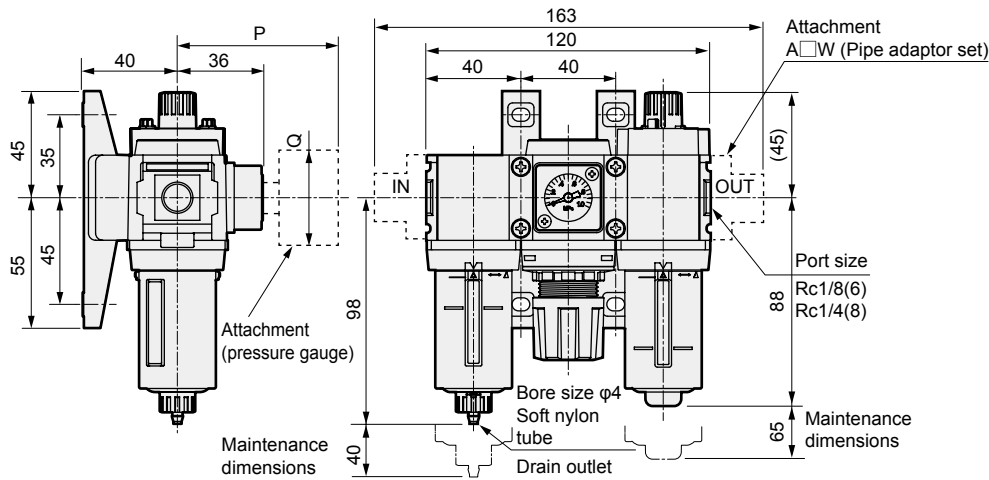
F.R.L. Combination



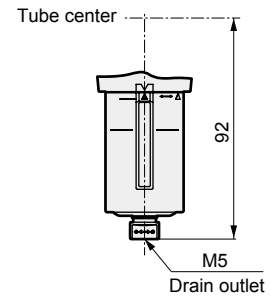
- F.R.L
- F (Filtr)
- R (Reg)
- L (Lub)
- PresSW
- Shutoff
- SlowStart
- FimResistFR
- Oil-ProhR
- MedPresFR
- No Cu/ PTFE FRL
- Outdrs FR
- F.R.L (Related)
- CompFRL
- LgFRL
- PrecsR
- VacF/R
- Clean FR
- ElecPneuR
- AirBoost
- SpdContr
- Silncr
- CheckV/ other
- Jnt/tube
- AirUnt
- PresCompn
- Mech/ ElecPresSw
- ContactSW
- AirSens
- PresSW Cool
- AirFloSens/ Contr
- WaterRtSens
- TotAirSys (Total Air)
- TotAirSys (Gamma)
- RefrDry
- DesicDry
- HiPolymDry
- MainFiltr
- Dischrg etc
- Ending

Dimensions

● C1000-W



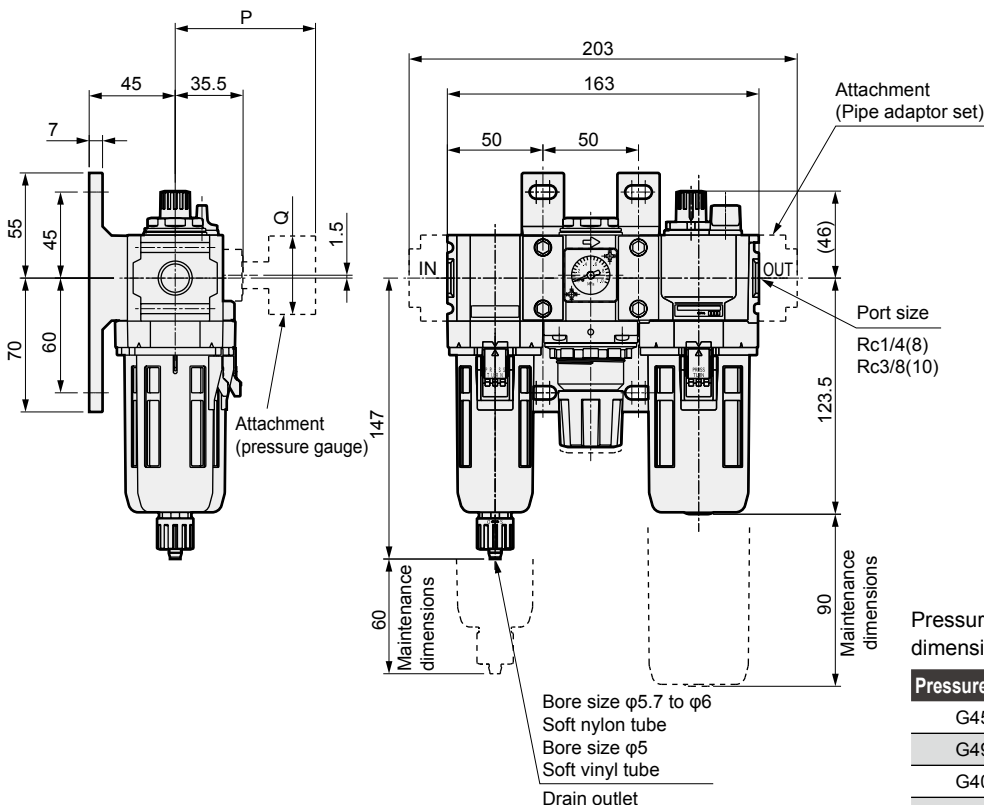
Dimensions of options
With auto-drain (F1)



Pressure gauge attached optional dimensions table

Pressure gauge	P	Q
G45P	(74)	φ39
G49P	(73.5)	φ43.5
G59P	(76)	φ52
G40P	(75.5)	φ42.5
G52P	(86)	φ52.5

● C2000-W



Pressure gauge attached optional dimensions table

Pressure gauge	P	Q
G45P	(73.5)	φ39
G49P	(73)	φ43.5
G40P	(75)	φ42.5
G52P	(85.5)	φ52.5

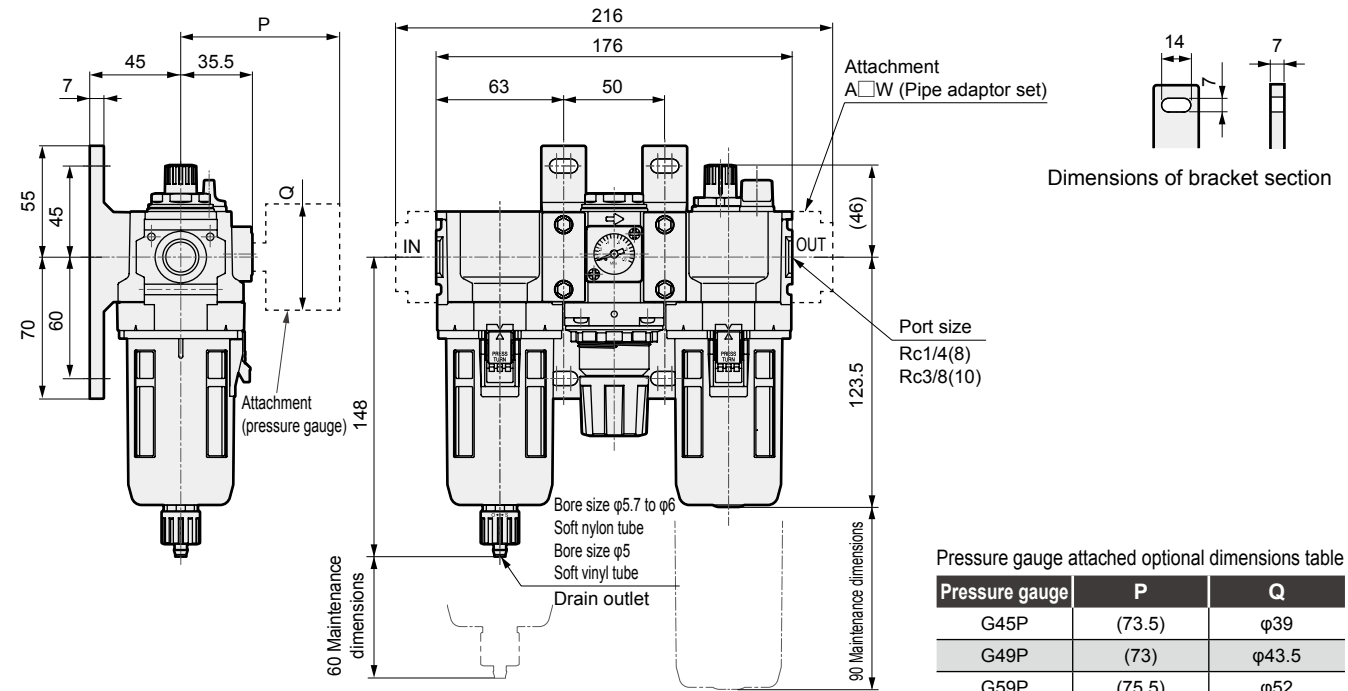
F.R.L. Combination

Dimensions

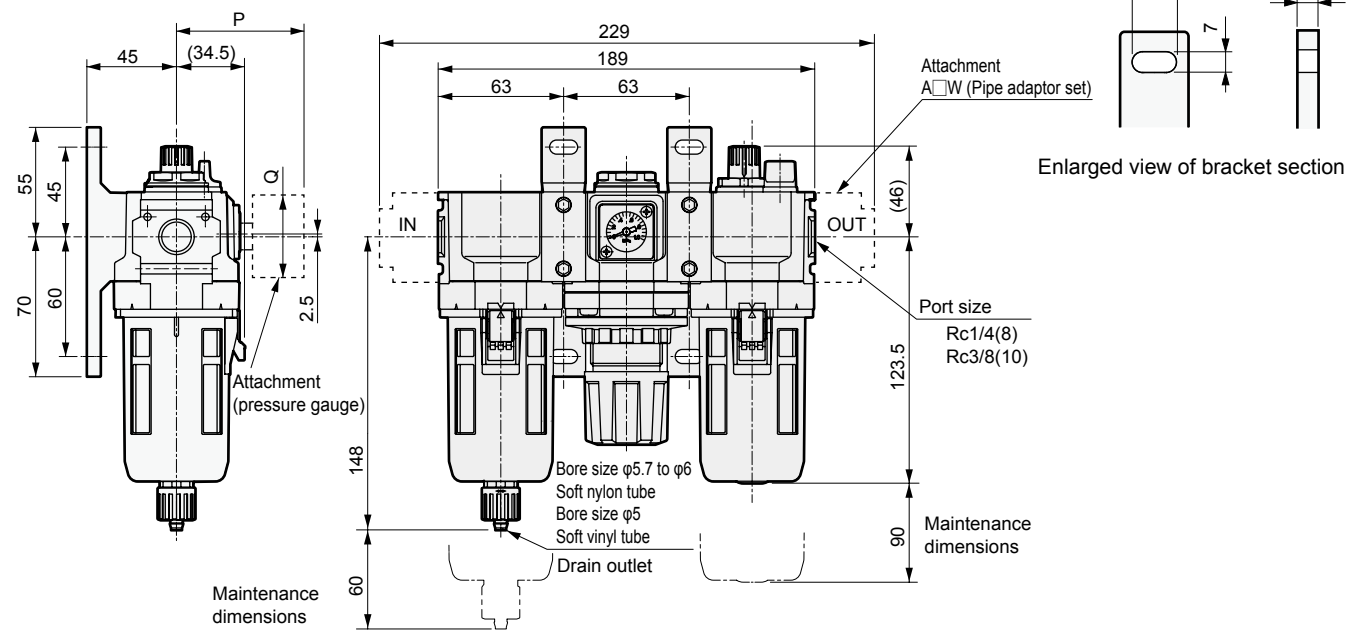
Dimensions



● C2500-W



● C3000-W



● Refer to page 103 for dimensions of the metal bowl option filter, and to page 146 for the lubricator.

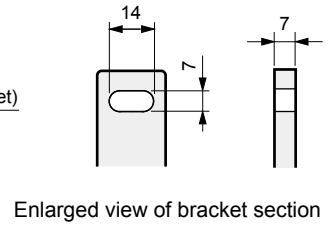
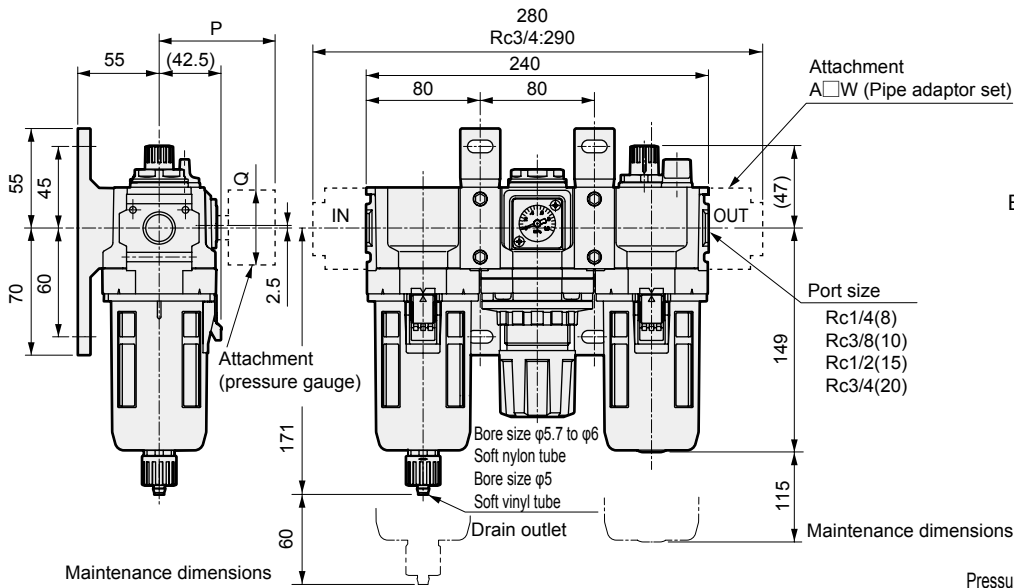
F (Filtr)
R (Reg)
L (Lub)
PresSW
Shutoff
SlowStart
FimResistFR
Oil-ProhR
MedPresFR
No Cu/ PTFE FRL
Outdrs FR
F.R.L (Related)
CompFRL
LgFRL
PrescR
VacF/R
Clean FR
ElecPneuR
AirBoost
SpdContr
Silncr
CheckV/ other
Jnt/tube
AirUnt
PresCompn
Mech/ ElecPresSw
ContactSW
AirSens
PresSW Cool
AirFloSens/ Contr
WaterRISens
TotAirSys (Total Air)
TotAirSys (Gamma)
RefrDry
DesicDry
HiPolymDry
MainFiltr
Dischrg etc
Ending

F.R.L. Combination



F.R.L Dimensions

F (Filtr) ● C4000-W

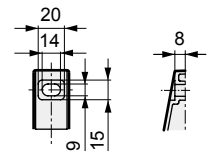
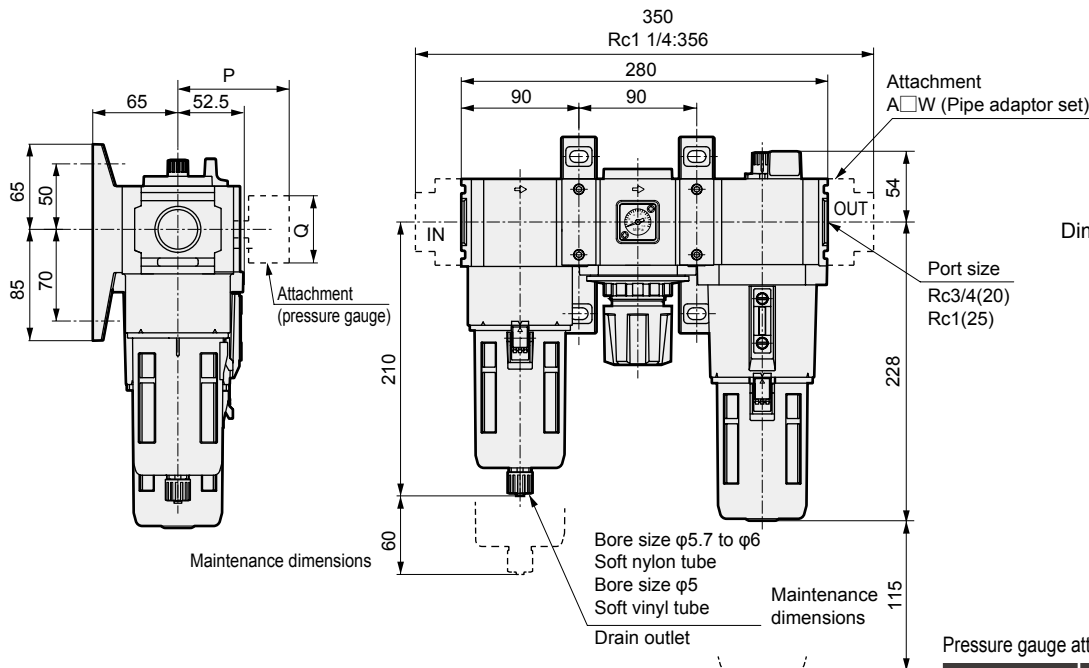


Pressure gauge attached optional dimensions table

Pressure gauge	P	Q
G45P	(75)	φ39
G49P	(74.5)	φ43.5
G59P	(77)	φ52
G40P	(76.5)	φ42.5
G52P	(86)	φ52.5

● Refer to page 103 for dimensions of the metal bowl option filter, and to page 146 for the lubricator.

● C6500-W



Pressure gauge attached optional dimensions table

Pressure gauge	P	Q
G45P	(80)	φ39
G49P	(79.5)	φ43.5
G59P	(82)	φ52
G40P	(81.5)	φ42.5
G52P	(93)	φ52.5

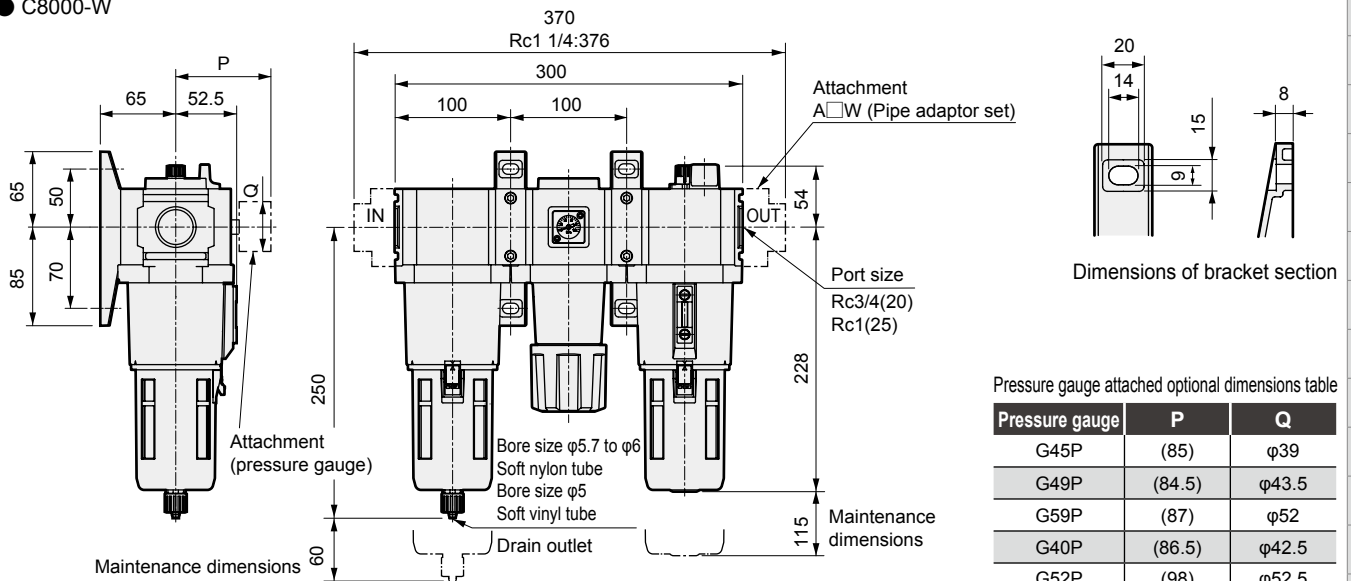
F.R.L. Combination

Option assembly dimensions

Dimensions



● C8000-W



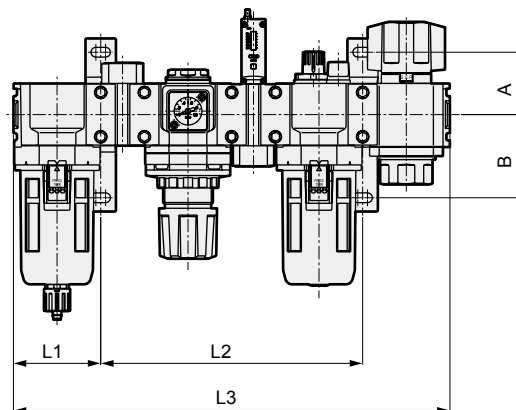
Pressure gauge attached optional dimensions table

Pressure gauge	P	Q
G45P	(85)	$\phi 39$
G49P	(84.5)	$\phi 43.5$
G59P	(87)	$\phi 52$
G40P	(86.5)	$\phi 42.5$
G52P	(98)	$\phi 52.5$

- Refer to page 103 for dimensions of the metal bowl option filter, and to page 146 for the lubricator.

Option assembly dimensions

● C1000-W to C8000-W



Model No.	A	B
C1000-W	35	45
C2000-W	45	60
C2500-W		
C3000-W		
C4000-W	50	70
C6050-W		
C8000-W		

Assembled option	D			S			P			V			K			DS			DP			DV			DK		
	L1	L2	L3	L1	L2	L3	L1	L2	L3	L1	L2	L3	L1	L2	L3	L1	L2	L3	L1	L2	L3	L1	L2	L3	L1	L2	L3
C1000-W	40	68	148	40	68	148	-	-	-	40	80	160	-	-	-	40	96	176	-	-	-	40	108	188	-	-	-
C2000-W	50	81.5	194.5	50	81.5	194.5	50	130	243	50	113	226	50	113	226	50	113	226	50	161.5	274.5	50	144.5	257.5	50	144.5	257.5
C2500-W	63	81.5	207.5	63	81.5	207.5	63	130	256	63	113	239	63	113	239	63	113	239	63	161.5	287.5	63	144.5	270.5	63	144.5	270.5
C3000-W	63	94.5	220.5	63	94.5	220.5	63	143	269	63	126	252	63	126	252	63	126	252	63	174.5	300.5	63	157.5	283.5	63	157.5	283.5
C4000-W	80	111.5	271.5	80	111.5	271.5	80	160	320	80	160	303	80	160	303	80	143	303	80	191.5	351.5	80	191.5	334.5	80	191.5	334.5
C4000-20-W ^{*1}	100	111.5	311.5	100	111.5	311.5	100	160	360	100	160	343	100	160	343	100	143	343	100	191.5	391.5	100	191.5	374.5	100	191.5	374.5
C6500-W	90	140	330	90	140	330	-	-	-	-	-	-	90	190	370	90	190	380	-	-	-	-	-	-	90	240	420
C8000-W	100	150	350	100	150	350	-	-	-	-	-	-	100	200	390	100	200	400	-	-	-	-	-	-	100	250	440

Assembled option	DSV			DSK			DPV			DPK			SV			SK			PV			PK		
	L1	L2	L3	L1	L2	L3	L1	L2	L3	L1	L2	L3	L1	L2	L3	L1	L2	L3	L1	L2	L3	L1	L2	L3
C1000-W	40	136	216	-	-	-	-	-	-	-	-	-	40	100	188	-	-	-	-	-	-	-	-	-
C2000-W	50	176	289	50	176	289	50	224.5	337.5	50	224.5	337.5	50	144.5	257.5	50	144.5	257.5	50	193	306	50	193	306
C2500-W	63	176	302	63	176	302	63	224.5	350.5	63	224.5	350.5	63	144.5	270.5	63	144.5	270.5	63	193	319	63	193	319
C3000-W	63	189	315	63	189	315	63	237.5	363.5	63	237.5	363.5	63	157.5	283.5	63	157.5	283.5	63	206	332	63	206	332
C4000-W	80	223	366	80	223	366	80	271.5	414.5	80	271.5	414.5	80	191.5	334.5	80	191.5	334.5	80	240	383	80	240	383
C4000-20-W ^{*1}	100	223	406	100	223	406	100	271.5	454.5	100	271.5	454.5	100	191.5	374.5	100	191.5	374.5	100	240	423	100	240	423
C6500-W	-	-	-	90	290	470	-	-	-	-	-	-	-	-	-	90	240	420	-	-	-	-	-	-
C8000-W	-	-	-	100	300	490	-	-	-	-	-	-	-	-	-	100	250	440	-	-	-	-	-	-

- L1: Dimensions from the IN edge to center of the T type bracket mounting hole
- L2: Spacing dimensions of the mounting hole from the first T type bracket to the second T type bracket
- L3: Dimensions from the IN edge to the OUT edge

* Refer to page 267 for details on bracket mounting hole dimensions.
*1: The pipe adaptor is assembled on the OUT side.

As well, the pipe adaptor A400-20-W is attached on both ends of C4000-20-W.



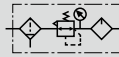
W.L. combination Standard White Series

C1010/C2010/C3010/C4010/C8010-W Series

Integrated filter, regulator and lubricator

● Port size: 1/8 to 1

JIS symbol



Specifications

1 MPa ≈ 145.0 psi, 1 MPa = 10 bar

Descriptions		C1010-W	C2010-W	C3010-W	C4010-W	C8010-W
Appearance						
Comps	Filter/regulator	W1000-W	W2000-W	W3000-W	W4000-W	W8000-W
	Lubricator	L1000-W	L3000-W	L3000-W	L4000-W	L8000-W
Working fluid		Compressed air				
Max. working pressure MPa		1.0 (≈150 psi, 10 bar) *2				
Proof pressure MPa		1.5 (≈220 psi, 15 bar)				
Ambient / fluid temperatures °C		5 (41°F) to 60 (140°F)				
Filtration rating μm		5				
Set pressure MPa		0.05 to 0.85 (*2)	0.05 (≈7.3 psi, 0.5 bar) to 0.85 (≈120 psi, 8.5 bar)			
Min. drip flow rate (*1) m ³ /min(ANR)		0.015	0.03	0.03	0.065	0.065
Pressure relief		With relief mechanism				
Oil storage capacity cm ³		20	85	85	170	170(MAX 360)
Drain capacity cm ³		12	25	45	80	80 (*3)
Oil used		Turbine oil Class 1 ISO VG32 (spindle oil cannot be used)				
Port size Rc,NPT,G		1/8,1/4 (3/8 uses an adaptor)	1/4,3/8 (1/2 uses an adaptor)	1/4,3/8 (1/2 uses an adaptor)	1/4,3/8,1/2 (3/4 uses an adaptor)	3/4,1 (1 1/4 uses an adaptor)
Weight kg		0.31	0.77	0.97	1.45	3.57
Standard accessories		Pressure gauge, bracket, bowl guard				

*1: The min. drip flow is that at which five drops of turbine oil drip per minute at the set pressure of 0.5 MPa.

*2: When using C1010-W Series "F1" with auto-drain, the min. working pressure is 0.2 MPa and max. working pressure is 0.7 MPa. Refer to the max. working flow rate table (page 96) for F1000-W-F1 auto-drain for the max. working flow rate. Set the working flow rate to less than or equal to the max. working flow rate.

*3: Up to 170 cm³ is stored with the manual drain cock only.

*4: In the case of "F" or "FF" with auto-drain, the min. working pressure of auto-drain is 0.1 MPa. Air is purged with initial drain until pressure reaches 0.1 MPa.

*5: In the case of "F1" or "FF1" with auto-drain, the min. working pressure of auto-drain is 0.15 MPa.

*6: When element option "Y" is selected, refer to the max. working flow rate table (page 98) for the max. flow rate. Set the working flow rate to less than or equal to the max. working flow rate.

*7: C2010-W Series with "F1" (with auto-drain) must be used at equal to or less than the max. working flow rate. (Refer to the F2000-W section on page 96 for max. flow rate.)

Option weight

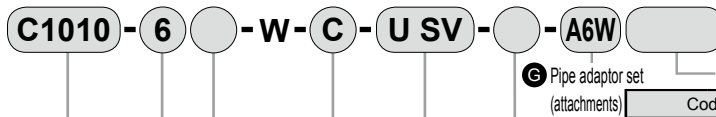
* Add to the weight of the standard accessories.

Unit: kg

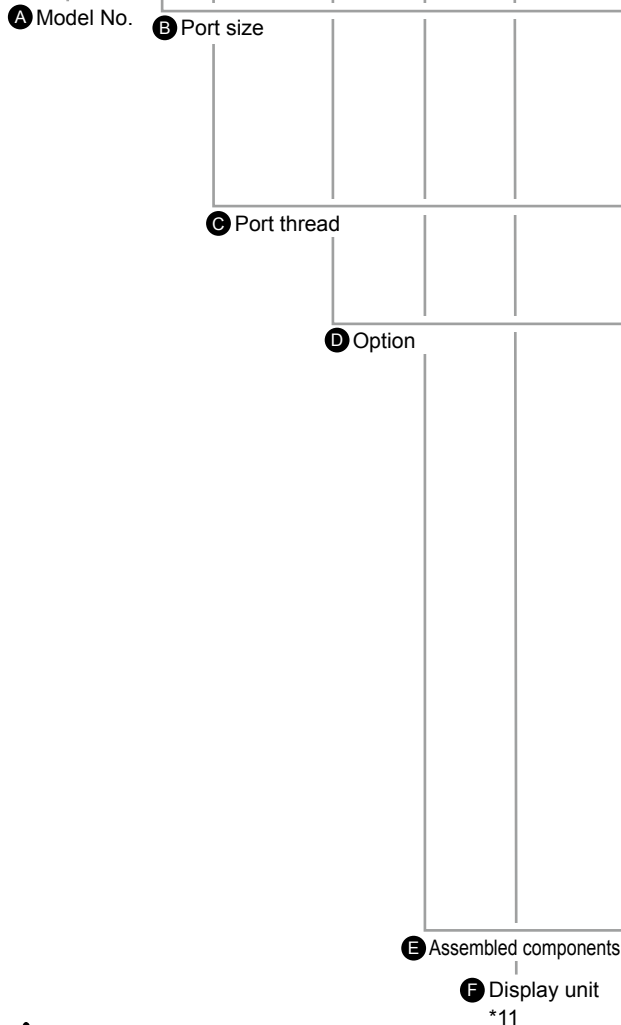
Code	Drain discharge				Bowl material			Press.gauge	Pipe adaptor set						
	F	F1	FF	FF1	C	M	M1	T*	A6*W	A8*W	A10*W	A15*W	A20*W	A25*W	A32*W
C1010		0.007			0			0	0.09	0.09	0.09				
C2010		0.02			0		0.2	0		0.16	0.16	0.16			
C3010	0.02	0.02			0	0.2	0.2	0		0.16	0.16	0.16			
C4010	0.02	0.02			0	0.2	0.2	0		0.16	0.16	0.16	0.16		
C8010	0.02	0.02	0.02	0.02	0	0.2	0.2	0					0.53	0.53	0.53

Code	Assembled components				Pressure gauge					
	S	P	V	K	G45P	G49P	G59P	G40P	G52P	R2
C1010	0.15		0.18		0.074	0.086	0.115	0.085	0.15	0.04
C2010	0.23	0.54	0.29	0.34	0.074	0.086		0.085	0.15	0.04
C3010	0.23	0.54	0.29	0.34	0.074	0.086	0.115	0.085	0.15	0.04
C4010	0.23	0.54	0.29	0.34	0.074	0.086	0.115	0.085	0.15	0.04
C8010	0.51			0.34	0.074	0.086	0.115	0.085	0.15	0.04

How to order



* Refer to page 28 for the explanation of the option.



		A Model No.				
		C1010	C2010	C3010	C4010	C8010
B Port size		Code	Content			
6	1/8	●				
8	1/4	●	●	●	●	
10	3/8		●	●	●	
15	1/2				●	
20	3/4				●	●
25	1					●
C Port thread		*2				
Blank	Rc thread	●	●	●	●	●
N	NPT thread	●	●	●	●	●
G	G thread	●	●	●	●	●
D Option		*3				
Drain discharge	Blank	Filter with manual drain cock, lubricator without manual cock	●	●	●	●
	C	Lubricator with manual cock	●	●	●	●
	F	Filter/auto-drain with manual override (NO: Exhaust when not pressurized)			●	●
	F1	Filter/auto-drain with manual override (NC: No exhaust when not pressurized)	●	●	●	●
	FF	Filter/large auto-drain with manual override (NO: Exhaust when not pressurized)				●
Bowl material	Blank	Polycarbonate bowl	●	●	●	●
	Z	Nylon bowl	●	●	●	●
	M	Metal bowl			●	●
	M1	Metal bowl with manual drain cock *5			●	●
Element	Blank	5 μm	●	●	●	●
	Y	0.3 μm (submicron) *6			●	●
Pressure Range	Blank	0.05 to 0.85 MPa	●	●	●	●
	L	0.05 to 0.35 MPa *7	●	●	●	●
Pressure relief	Blank	With relief mechanism	●	●	●	●
	N	Non-relief	●	●	●	●
Pressure gauge	Blank	With standard pressure gauge (G401-W)	●	●	●	●
	T	No pressure gauge (gauge port (1/4) is assembled sealed)	●	●	●	●
	T8	Pressure gauge ready (gauge port (1/4) is left open)	●	●	●	●
Flow Direction	Blank	Standard flow (left → right)	●	●	●	●
	X1	Reverse flow (right → left)	●	●	●	●
E Assembled components		Pages 148 to 159, 268 and 269				
Blank	Without assembled component	●	●	●	●	
U	Assembled component *8	●	●	●	●	
Assembled component	S	Pressure switch (P1100-W, 4100-W, 8100-W)	●	●	●	●
	P	Pressure switch (P4000-W)	●	●	●	●
	V	Shut-off valve (V1000-W, 3000-W)	●	●	●	●
	K	Shut-off valve with keyhole (V3010-W, V6010-W)	●	●	●	●
F Display unit						
Blank	MPa display, Rc thread	●	●	●	●	
J1	MPa display, NPT, G thread	●	●	●	●	
G Pipe adaptor set (attachments)		Page 271 *9				
Blank	Not attached	●	●	●	●	
A6*W	1/8 pipe adaptor set	●				
A8*W	1/4 pipe adaptor set	●	●	●	●	
A10*W	3/8 pipe adaptor set	●	●	●	●	
A15*W	1/2 pipe adaptor set	●	●	●	●	
A20*W	3/4 pipe adaptor set				●	
A25*W	1 pipe adaptor set				●	
A32*W	1 1/4 pipe adaptor set				●	
* Adaptor thread						
Blank	Rc thread	●	●	●	●	
N	NPT thread	●	●	●	●	
G	G thread	●	●	●	●	
H Pressure gauge option (attachments)		Page 289 *10				
Blank	Not attached	●	●	●	●	
G45P	G45D-8-P10(L:G45D-8-P04)	●	●	●	●	
G49P	G49D-8-P10(L:G49D-8-P04)	●	●	●	●	
G59P	G59D-8-P10(L:G59D-8-P04)	●	●	●	●	
G40P	G40D-8-P10(L:G40D-8-P04)	●	●	●	●	
G52P	G52D-8-P10(L:G52D-8-P10)	●	●	●	●	

⚠ Precautions for model No. selection

- *1: Pipe adaptor A400-20*W is assembled on both ends of C4010-20*W. A20*W does not need to be selected for the pipe adaptor set.
- *2: G threads and NPT threads are available for IN, OUT, gauge port and drain outlet (metal bowl with auto-drain). Attachments P and V are also included.
- *3: Select options for the drainage, bowl material, element, and regulator. When selecting options for several items, list options in order from the top.
- *4: Refer to page 280 for the auto-drain usage conditions.
- *5: When selecting option "M1", select the drain discharge option "C".
- *6: Refer to page 98 for max. processing flow rate when option "Y" is selected.
- *7: The pressure gauge's indication range is 0 to 0.4 MPa for the option "L".
- *8: Installation position for assembled components

Code	Installation position for attachments	Compatible model
S or P	W+(S,P)+L	C1010-W to C8010-W ("P" excludes 8000 Series)
V or K	W+L+(V,K)	C1010-W to C8010-W ("V" excludes 8000 Series and "K" excludes 1000 Series)

- Note) Indicate "U"+"S", "P", "V" and "K" when selecting an assembled component. Use custom combination specifications sheet for any other combination.
- *9: The joiner set is enclosed with the pipe adaptor set.
 - *10: If NPT is selected for Port thread, an NPT pressure gauge is supplied. If Rc or G thread is selected, an R thread pressure gauge is supplied.
 - *11: Display unit options when selecting NPT threads: If Blank is selected, the pressure unit is psi and the temperature display unit is °F. When G thread and Blank display unit option are selected, the pressure unit will be bar and the temperature display unit will be °C. When NPT/G thread and "J1" display unit option are selected, the pressure unit will be MPa and the temperature display unit will be °C.

F.R.L

- F (Filtr)
- R (Reg)
- L (Lub)
- PresSW
- Shutoff
- SlowStart
- FimResistFR
- Oil-ProhR
- MedPresFR
- No Cu/ PTFE FRL
- Outdrs FR
- F.R.L (Related)
- CompFRL
- LgFRL
- PrecsR
- VacF/R
- Clean FR
- ElecPneuR
- AirBoost
- SpdContr
- Silncr
- CheckV/ other
- Jnt/tube
- AirUnt
- PrecsCompn
- Mech/ ElecPresSw
- ContactSW
- AirSens
- PresSW Cool
- AirFloSens/ Contr
- WaterRISens
- TotAirSys (Total Air)
- TotAirSys (Gamma)
- RefrDry
- DesicDry
- HiPolymDry
- MainFiltr
- Dischrg etc
- Ending

W.L. Combination



Dimensions

F.R.L

F (Filtr)

R (Reg)

L (Lub)

PresSW

Shutoff

SlowStart

FimResistFR

Oil-ProhR

MedPresFR

No Cu/
PTFE FRL

Outdrs FR

F.R.L
(Related)

CompFRL

LgFRL

PrecsR

VacF/R

Clean FR

ElecPneuR

AirBoost

SpdContr

Silncr

CheckV/
other

Jnt/tube

AirUnt

PrecsCompn

Mech/
ElecPresSw

ContactSW

AirSens

PresSW
Cool

AirFloSens/
Contr

WaterRtSens

TotAirSys
(Total Air)

TotAirSys
(Gamma)

RefrDry

DesicDry

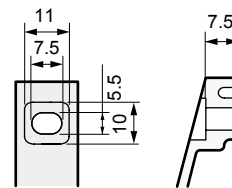
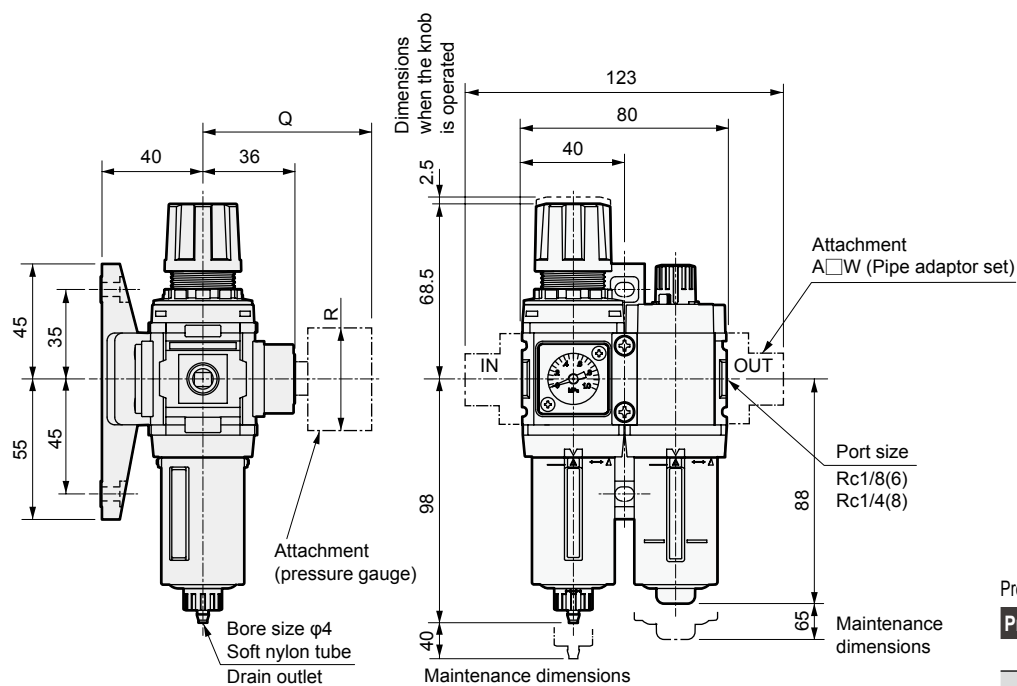
HiPolymDry

MainFiltr

Dischrg
etc

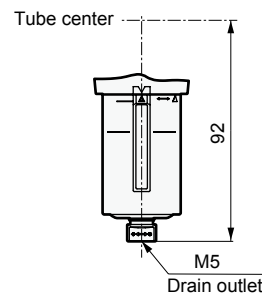
Ending

● C1010-W



Enlarged view of bracket section

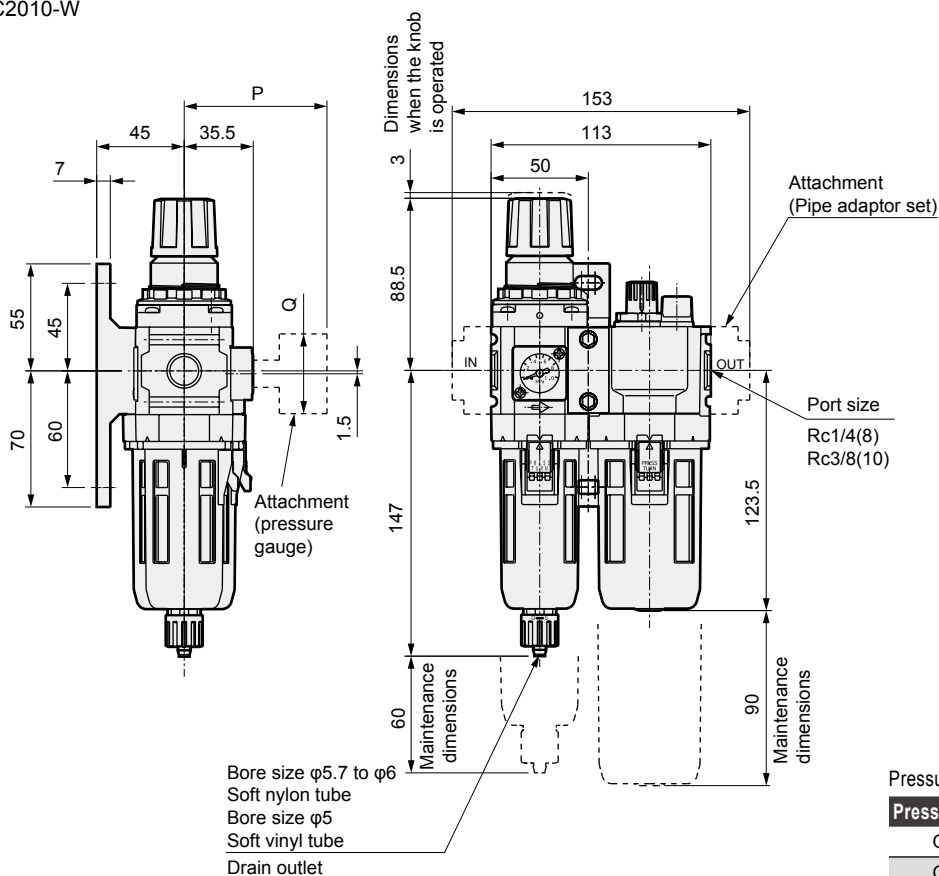
Optional dimensions With auto-drain (F1)



Pressure gauge attached optional dimensions table

Pressure gauge	Q	R
G45P	(74)	φ39
G49P	(73.5)	φ43.5
G59P	(76)	φ52
G40P	(75.5)	φ42.5
G52P	(86)	φ52.5

● C2010-W



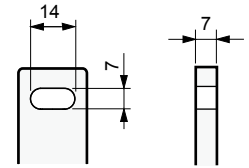
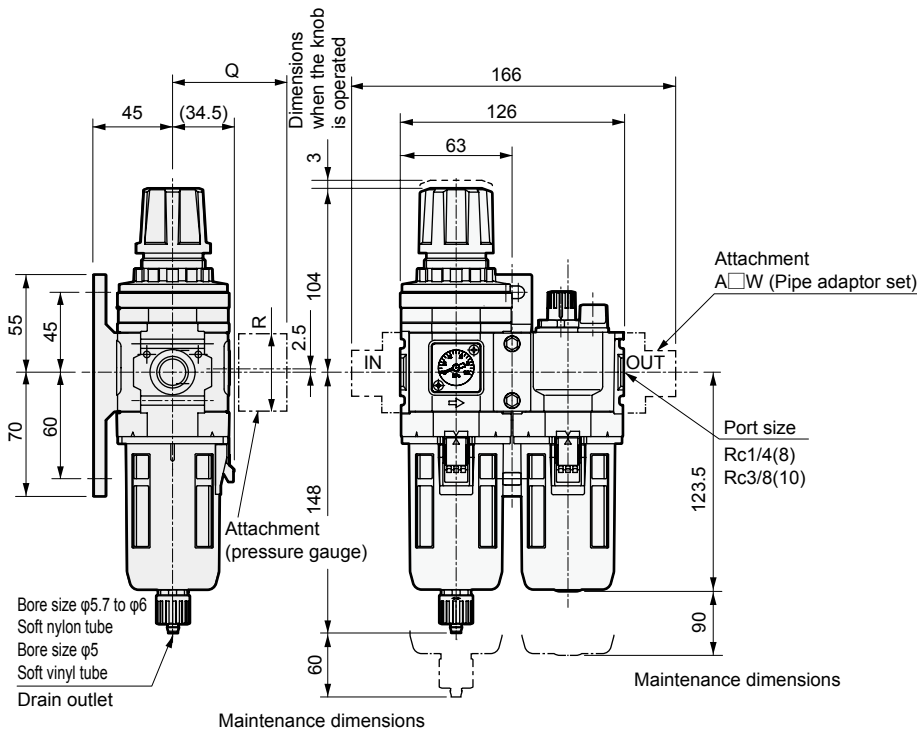
Pressure gauge attached optional dimensions table

Pressure gauge	P	Q
G45P	(73.5)	φ39
G49P	(73)	φ43.5
G40P	(75)	φ42.5
G52P	(85.5)	φ52.5

Dimensions



● C3010-W



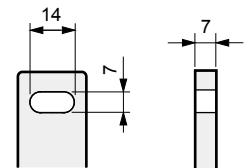
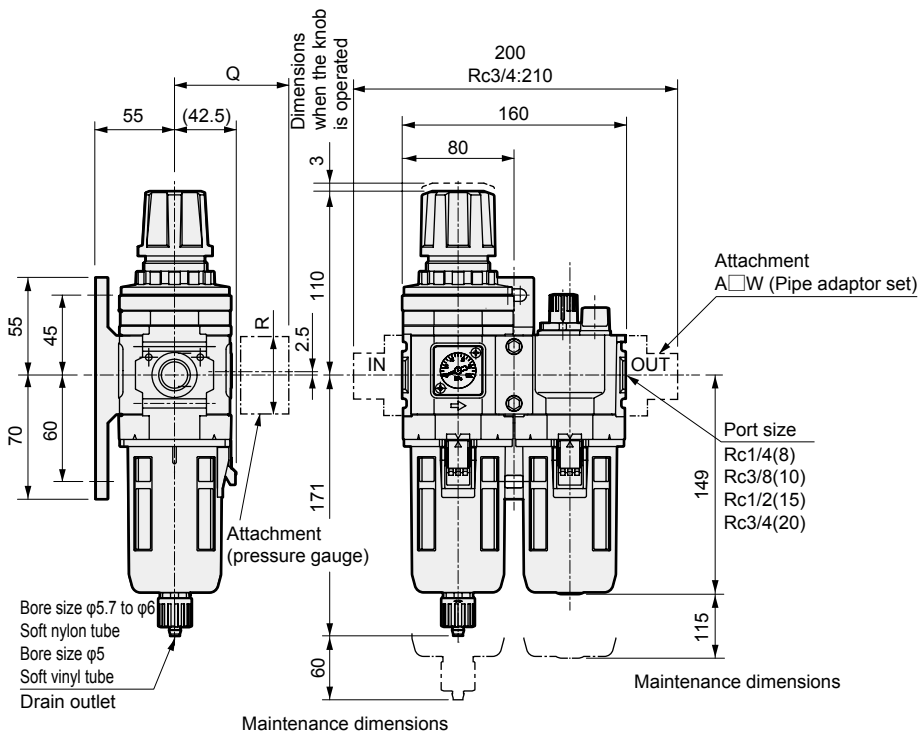
Enlarged view of bracket section

Pressure gauge attached optional dimensions table

Pressure gauge	Q	R
G45P	(70)	$\phi 39$
G49P	(69.5)	$\phi 43.5$
G59P	(72)	$\phi 52$
G40P	(71.5)	$\phi 42.5$
G52P	(82)	$\phi 52.5$

● Refer to page 86 for the dimensions of the metal bowl option filter/regulator and page 146 for the lubricator.

● C4010-W



Enlarged view of bracket section

Pressure gauge attached optional dimensions table

Pressure gauge	Q	R
G45P	(75)	$\phi 39$
G49P	(74.5)	$\phi 43.5$
G59P	(77)	$\phi 52$
G40P	(76.5)	$\phi 42.5$
G52P	(86)	$\phi 52.5$

* Refer to page 86 for the dimensions of the metal bowl option filter/regulator and page 146 for the lubricator.

F (Filtr)
R (Reg)
L (Lub)
PresSW
Shutoff
SlowStart
FmResistFR
Oil-ProhR
MedPresFR
No Cu/ PTFE FRL
Outdrs FR
F.R.L (Related)
CompFRL
LgFRL
PrescR
VacF/R
Clean FR
ElecPneuR
AirBoost
SpdContr
Silncr
CheckV/ other
Jnt/tube
AirUnt
PresCompn
Mech/ ElecPresSw
ContactSW
AirSens
PresSW Cool
AirFloSens/ Contr
WaterRISens
TotAirSys (Total Air)
TotAirSys (Gamma)
RefrDry
DesicDry
HiPolymDry
MainFiltr
Dischrg etc
Ending

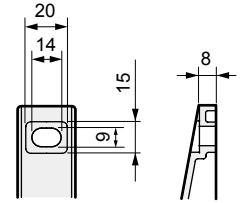
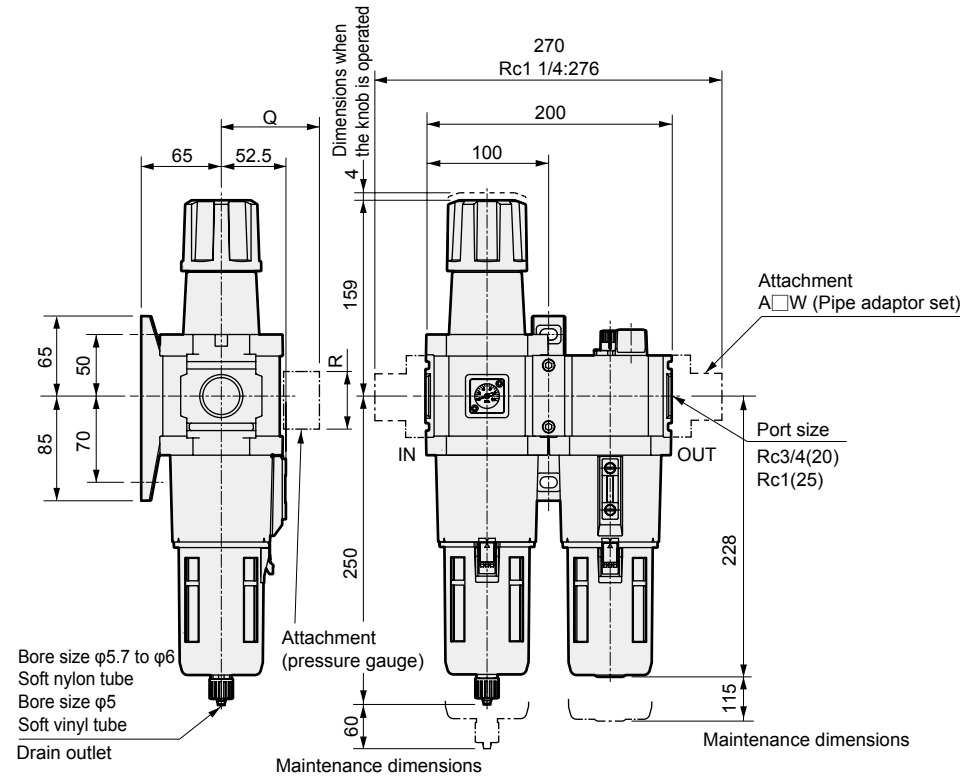
W.L. Combination



- F.R.L
- F (Filtr)
- R (Reg)
- L (Lub)
- PresSW
- Shutoff
- SlowStart
- FimResistFR
- Oil-ProhR
- MedPresFR
- No Cu/PTFE FRL
- Outdrs FR
- F.R.L (Related)
- CompFRL
- LgFRL
- PrecsR
- VacF/R
- Clean FR
- ElecPneur
- AirBoost
- SpdContr
- Silncr
- CheckV/other
- Jnt/tube
- AirUnt
- PrecsCompn
- Mech/ElecPresSw
- ContactSW
- AirSens
- PresSW Cool
- AirFloSens/Contr
- WaterRtSens
- TotAirSys (Total Air)
- TotAirSys (Gamma)
- RefrDry
- DesicDry
- HiPolymDry
- MainFiltr
- Dischrg etc
- Ending

Dimensions

● C8010-W



Enlarged view of bracket section

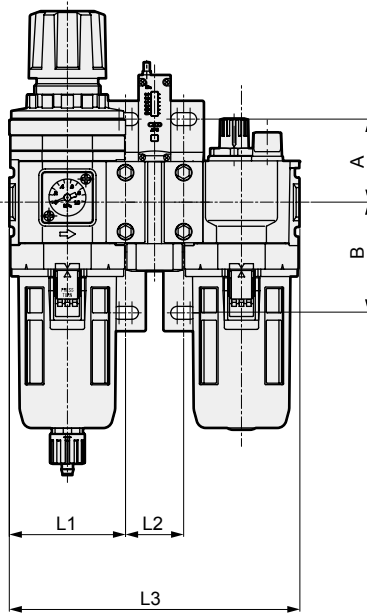
Pressure gauge attached optional dimensions table

Pressure gauge	Q	R
G45P	(85)	$\phi 39$
G49P	(84.5)	$\phi 43.5$
G59P	(87)	$\phi 52$
G40P	(86.5)	$\phi 42.5$
G52P	(98)	$\phi 52.5$

● Refer to page 86 for the dimensions of the metal bowl option filter/regulator and page 146 for the lubricator.

Option assembly dimensions

● C1010-W to C8010-W



Model No.	A	B
C1010-W	35	45
C2010-W	45	60
C3010-W		
C4010-W	50	70
C8010-W		

Assembled option Model No.	S			P			V			K			SV			SK			PV			PK		
	L1	L2	L3	L1	L2	L3	L1	L2	L3	L1	L2	L3	L1	L2	L3	L1	L2	L3	L1	L2	L3	L1	L2	L3
C1010-W	40	28	108	-	-	-	40	40	120	-	-	-	40	68	148	-	-	-	-	-	-	-	-	-
C2010-W	50	31.5	144.5	50	80	193	50	63	176	50	63	176	50	94.5	207.5	50	94.5	207.5	50	143	256	50	143	256
C3010-W	63	31.5	157.5	63	80	206	63	63	189	63	63	189	63	94.5	220.5	63	94.5	220.5	63	143	269	63	143	269
C4010-W	80	31.5	191.5	80	80	240	80	80	223	80	80	223	80	111.5	271.5	80	111.5	271.5	80	160	303	80	160	303
C4010-20-W ^{*1}	100	31.5	231.5	100	80	280	100	80	263	100	80	263	100	111.5	294.5	100	111.5	294.5	100	160	343	100	160	343
C8010-W	100	50	250	-	-	-	-	-	-	100	100	290	-	-	-	100	150	340	-	-	-	-	-	-

L1: Dimensions from the IN edge to center of the T type bracket mounting hole

L2: Spacing dimensions of the mounting hole from the first T type bracket to the second T type bracket

L3: Dimensions from the IN edge to the OUT edge

* Refer to page 267 for details on bracket mounting hole dimensions.

*1: The pipe adaptor is assembled on the OUT side.

As well, the pipe adaptor A400-20-W is assembled on both ends of C4010-20-W.

F.R.L
F (Filtr)
R (Reg)
L (Lub)
PresSW
Shutoff
SlowStart
FimResistFR
Oil-ProhR
MedPresFR
No Cu/ PTFE FRL
Outdrs FR
F.R.L (Related)
CompFRL
LgFRL
PrecsR
VacF/R
Clean FR
ElecPneuR
AirBoost
SpdContr
Silncr
CheckV/ other
Jnt/tube
AirUnt
PrecsCompn
Mech/ ElecPresSW
ContactSW
AirSens
PresSW Cool
AirFloSens/ Contr
WaterRtSens
TotAirSys (Total Air)
TotAirSys (Gamma)
RefrDry
DesicDry
HiPolymDry
MainFiltr
Dischrg etc
Ending



F.R. combination Standard White Series

C1020/C2020/C2520-W C3020/C4020/C6020/C8020-W Series

Integrated filter and regulator

● Port size: 1/8 to 1

JIS symbol



Specifications

1 MPa ≈ 145.0 psi, 1 MPa = 10 bar

Descriptions		C1020-W	C2020-W	C2520-W	C3020-W	C4020-W	C6020-W	C8020-W
Appearance								
Components	Filter	F1000-W	F2000-W	F3000-W	F3000-W	F4000-W	F6000-W	F8000-W
	Regulator	R1000-W	R2000-W	R2000-W	R3000-W	R4000-W	R6000-W	R8000-W
Working fluid		Compressed air						
Max. working pressure MPa		1.0 (≈150 psi, 10 bar) *2						
Proof pressure MPa		1.5 (≈220 psi, 15 bar)						
Ambient / fluid temperatures °C		5 (41°F) to 60 (140°F) *1						
Filtration rating μm		5						
Set pressure MPa		0.05 to 0.85 *2	0.05 (≈7.3 psi, 0.5 bar) to 0.85 (≈120 psi, 8.5 bar)					
Pressure relief		With relief mechanism						
Drain capacity cm ³		12	25	45	45	80	80	80 (*3)
Port size Rc,NPT,G		1/8,1/4 (*3/8 uses an adaptor)	1/4,3/8 (*1/2 uses an adaptor)	1/4,3/8 (*1/2 uses an adaptor)	1/4,3/8 (*1/2 uses an adaptor)	1/4,3/8,1/2 (*3/4 uses an adaptor)	3/4,1 (*1 1/4 uses an adaptor)	3/4,1 (*1 1/4 uses an adaptor)
Weight kg		0.28	0.64	0.65	0.79	1.25	2.07	2.93
Standard accessories		Pressure gauge, bracket, bowl guard						

*1: The ambient / fluid temperatures for "RN" or "RP" (pressure switch with display PPR is mounted) and "R2" (digital pressure sensor PPX is attached) is 5 to 50°C.

*2: When using C1020 Series "F1" with auto-drain, the min. working pressure is 0.2 MPa and max. working pressure is 0.7 MPa.

Refer to the max. working flow rate table (page 96) for F1000-F1 auto-drain for the max. working flow rate. Set the working flow rate to less than or equal to the max. working flow rate.

*3: Up to 170 cm³ is stored with the manual drain cock only.

*4: In the case of "F" or "FF" with auto-drain, the min. working pressure of auto-drain is 0.1 MPa. Air is purged with initial drainage until pressure reaches 0.1 MPa.

*5: In the case of "F1" or "FF1" with auto-drain, the min. working pressure of auto-drain is 0.15 MPa.

*6: When element option "Y" is selected, refer to page 98 for max. flow rate. Set the working flow rate to less than or equal to the max. working flow rate.

*7: C2020-W Series with "F1" (with auto-drain) must be used at equal to or less than the max. working flow rate. (Refer to the F2000-W section on page 96 for max. flow rate.)

Option weight

* Add to the weight of the standard accessories.

Unit: kg

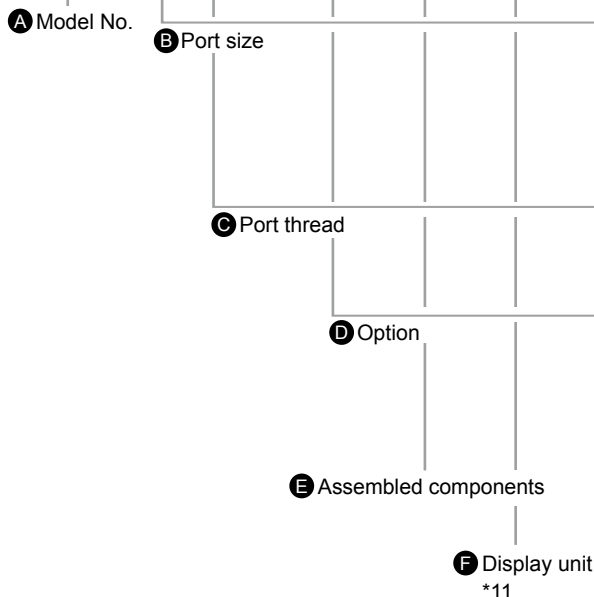
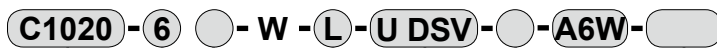
Code	Drain discharge				Bowl material		Pressure gauge		Pipe adaptor set						
	F	F1	FF	FF1	M	M1	T*	RN/RP	A6*W	A8*W	A10*W	A15*W	A20*W	A25*W	A32*W
C1020		0.007					0	0.04	0.09	0.09	0.09				
C2020		0.02				0.1	0	0.04		0.16	0.16	0.16			
C2520		0.02			0.1	0.1	0	0.04		0.16	0.16	0.16			
C3020	0.02	0.02			0.1	0.1	0	0.04		0.16	0.16	0.16			
C4020	0.02	0.02			0.1	0.1	0	0.04		0.16	0.16	0.16	0.16		
C6020	0.02	0.02			0.1	0.1	0	0.04					0.53	0.53	0.53
C8020	0.02	0.02	0.02	0.02	0.1	0.1	0	0.04					0.53	0.53	0.53

Code	Assembled components					Pressure gauge					
	D	S	P	V	K	G45P	G49P	G59P	G40P	G52P	R2
C1020	0.056	0.15		0.18		0.074	0.086	0.115	0.085	0.15	0.04
C2020	0.17	0.23	0.54	0.29	0.34	0.074	0.086		0.085	0.15	0.04
C2520	0.17	0.23	0.54	0.29	0.34	0.074	0.086	0.115	0.085	0.15	0.04
C3020	0.17	0.23	0.54	0.29	0.34	0.074	0.086	0.115	0.085	0.15	0.04
C4020	0.17	0.23	0.54	0.29	0.34	0.074	0.086	0.115	0.085	0.15	0.04
C6020	0.45	0.51			0.9	0.074	0.086	0.115	0.085	0.15	0.04
C8020	0.45	0.51			0.9	0.074	0.086	0.115	0.085	0.15	0.04

F.R. Combination

How to order

How to order



* Refer to page 28 for the explanation of the option.

A Model No.						
C1020	C2020	C2520	C3020	C4020	C6020	C8020
F (Filtr)						
R (Reg)						
L (Lub)						
PresSW						
Shutoff						
SlowStart						
FimResistFR						
Oil-ProhR						
MedPresFR						
No Cu/ PTFE FRL						
Outdrs FR						
F.R.L (Related)						
CompFRL						
LgFRL						
PrecsR						
VacF/R						
Clean FR						
ElecPneur						
AirBoost						
SpdContr						
Silncr						
CheckV/ other						
Jnt/tube						
AirUnt						
PrecsCompn						
Mech/ ElecPresSw						
ContactSW						
AirSens						
PresSW Cool						
AirFloSens/ Contr						
WaterRISens						
TotAirSys (Total Air)						
TotAirSys (Gamma)						
RefrDry						
DesicDry						
HiPolymDry						
MainFiltr						
Dischrg etc						
Ending						

Code	Content	C1020	C2020	C2520	C3020	C4020	C6020	C8020
B Port size								
6	1/8	●						
8	1/4	●	●	●	●	●		
10	3/8		●	●	●	●		
15	1/2					●		
20	3/4						● ^{*1}	●
25	1						●	●

Code	Content	C1020	C2020	C2520	C3020	C4020	C6020	C8020
C Port thread								
Blank	Rc thread	●	●	●	●	●	●	●
N	NPT thread	●	●	●	●	●	●	●
G	G thread	●	●	●	●	●	●	●

D Option		C1020	C2020	C2520	C3020	C4020	C6020	C8020
Drain discharge^{*4}								
Drain discharge ^{*4}	Blank	Filter with manual drain cock	●	●	●	●	●	●
	F	Filter/auto-drain with manual override (NO: Exhaust when not pressurized)			●	●	●	●
	F1	Filter/auto-drain with manual override (NC: No exhaust when not pressurized)	●	●	●	●	●	●
	FF	Filterlarge auto-drain with manual override (NO: Exhaust when not pressurized)						●
FF1	Filterlarge auto-drain with manual override (NC: No exhaust when not pressurized)						●	
Bowl material								
Bowl material	Blank	Polycarbonate bowl	●	●	●	●	●	●
	Z	Nylon bowl	●	●	●	●	●	●
	M	Metal bowl			●	●	●	●
	M1	Metal bowl with manual drain cock			●	●	●	●
Element								
Element	Blank	5 μm	●	●	●	●	●	●
	Y	0.3 μm (submicron) ^{*5}			●	●	●	●
Diff press detect								
Diff press detect	Blank	Without differential pressure detection port	●	●	●	●	●	●
	Q	With differential pressure detection port (Rc 1/4)						●
Pressure range								
Pressure range	Blank	0.05 to 0.85 MPa	●	●	●	●	●	●
	L	0.05 to 0.35 MPa ^{*6}	●	●	●	●	●	●
Pressure relief								
Pressure relief	Blank	With relief mechanism	●	●	●	●	●	●
	N	Non-relief	●	●	●	●	●	●
Pressure gauge								
Pressure gauge	Blank	With standard pressure gauge (G401-W)	●	●	●	●	●	●
	T	No pressure gauge (gauge port (1/4) is assembled sealed)	●	●	●	●	●	●
	T8	Pressure gauge ready (gauge port (1/4) is left open)	●	●	●	●	●	●
	T6	Digital pressure sensor PPX attachment option ^{*7}	●	●	●	●	●	●
	RN	Pressure switch with display PPR mounted (NPN output 1 point)	●	●	●	●	●	●
RP	Pressure switch with display PPR mounted (PNP output 1 point)	●	●	●	●	●	●	
Flow direction								
Flow direction	Blank	Standard flow (left → right)	●	●	●	●	●	●
	X1	IN/OUT reverse flow (right to left)	●	●	●	●	●	●

E Assembled components		Pages 148 to 159, 268 and 269	
Blank	Without assembled component	● ● ● ● ● ● ● ●	
U	Assembled component ^{*8}	● ● ● ● ● ● ● ●	
Assembled component	D	Distributor (D101-W, D401-W, D801-W)	● ● ● ● ● ● ● ●
	S	Pressure switch (P1100-W, 4100-W, 8100-W)	● ● ● ● ● ● ● ●
	P	Pressure switch (P4000-W)	● ● ● ● ● ● ● ●
	V	Shut-off valve (V1000-W, 3000-W)	● ● ● ● ● ● ● ●
	K	Shut-off valve with keyhole (V3010-W, V6010-W)	● ● ● ● ● ● ● ●

F Display unit		
Blank	MPa display, Rc thread	● ● ● ● ● ● ● ●
J1	MPa display, NPT, G thread	● ● ● ● ● ● ● ●

G Pipe adaptor set (attachments)		Page 271 ^{*9}
Blank	Not attached	● ● ● ● ● ● ● ●
A6*W	1/8 pipe adaptor set	● ● ● ● ● ● ● ●
A8*W	1/4 pipe adaptor set	● ● ● ● ● ● ● ●
A10*W	3/8 pipe adaptor set	● ● ● ● ● ● ● ●
A15*W	1/2 pipe adaptor set	● ● ● ● ● ● ● ●
A20*W	3/4 pipe adaptor set	● ● ● ● ● ● ● ●
A25*W	1 pipe adaptor set	● ● ● ● ● ● ● ●
A32*W	1 1/4 pipe adaptor set	● ● ● ● ● ● ● ●

* Adaptor thread		
Blank	Rc thread	● ● ● ● ● ● ● ●
N	NPT thread	● ● ● ● ● ● ● ●
G	G thread	● ● ● ● ● ● ● ●

H Pressure gauge option (attachments)		Page 289 ^{*10}
Blank	Not attached	● ● ● ● ● ● ● ●
G45P	G45D-8-P10(L:G45D-8-P04)	● ● ● ● ● ● ● ●
G49P	G49D-8-P10(L:G49D-8-P04)	● ● ● ● ● ● ● ●
G59P	G59D-8-P10(L:G59D-8-P04)	● ● ● ● ● ● ● ●
G40P	G40D-8-P10(L:G40D-8-P04)	● ● ● ● ● ● ● ●
G52P	G52D-8-P10(L:G52D-8-P10)	● ● ● ● ● ● ● ●
R2 ^{*9}	Digital pressure sensor: PPX-R10N-6M	● ● ● ● ● ● ● ●

⚠ Precautions for model No. selection

- *1: Pipe adaptor A400-20*-W is assembled on both ends of C4020-20*-W. A20*W does not need to be selected for the pipe adaptor set.
- *2: G threads and NPT threads are available for IN, OUT, gauge port and drain outlet (metal bowl with auto-drain). Attachments P and V are also included.
- *3: Select options for the drainage, bowl material, element, differential pressure detection and regulator. When selecting options for several items, list options in order from the top.
- *4: Refer to page 280 for the auto-drain usage conditions.
- *5: Refer to page 98 for max. processing flow rate when option "Y" is selected.
- *6: The pressure gauge's indication range is 0 to 0.4 MPa for the option "L".
- *7: When option "T6" is selected, only "Blank" or "R2" can be selected for Pressure gauge (attachment). The digital pressure sensor PPX mounting port (Rc1/8) is left open.
- *8: Installation position for assembled components

Code	Attachment Install positions	Compatible model
D	F+(D)+R	C1020-W to C8020-W
S or P	F+R+(S,P)	C1020-W to C8020-W ("P" excludes 1000, 6000 and 8000 Series)
V or K	F+R+(V,K)	C1020-W to C8020-W ("V" excludes 6000 and 8000 Series and "K" excludes 1000 Series)

- Note) Indicate "U"+"D", "S", "P", "V" and "K" when selecting an assembled component.
Use custom combination specifications sheet for any other combination.
- *9: The joiner set is enclosed with the pipe adaptor set.
 - *10: If NPT is selected for Port thread, an NPT pressure gauge is supplied. If Rc or G thread is selected, an R thread pressure gauge is supplied.
 - *11: Display unit options when selecting NPT threads: If Blank is selected, the pressure unit is psi and the temperature display unit is °F.
When G thread and Blank display unit option are selected, the pressure unit will be bar and the temperature display unit will be °C.
When NPT/G thread and "J1" display unit option are selected, the pressure unit will be MPa and the temperature display unit will be °C.

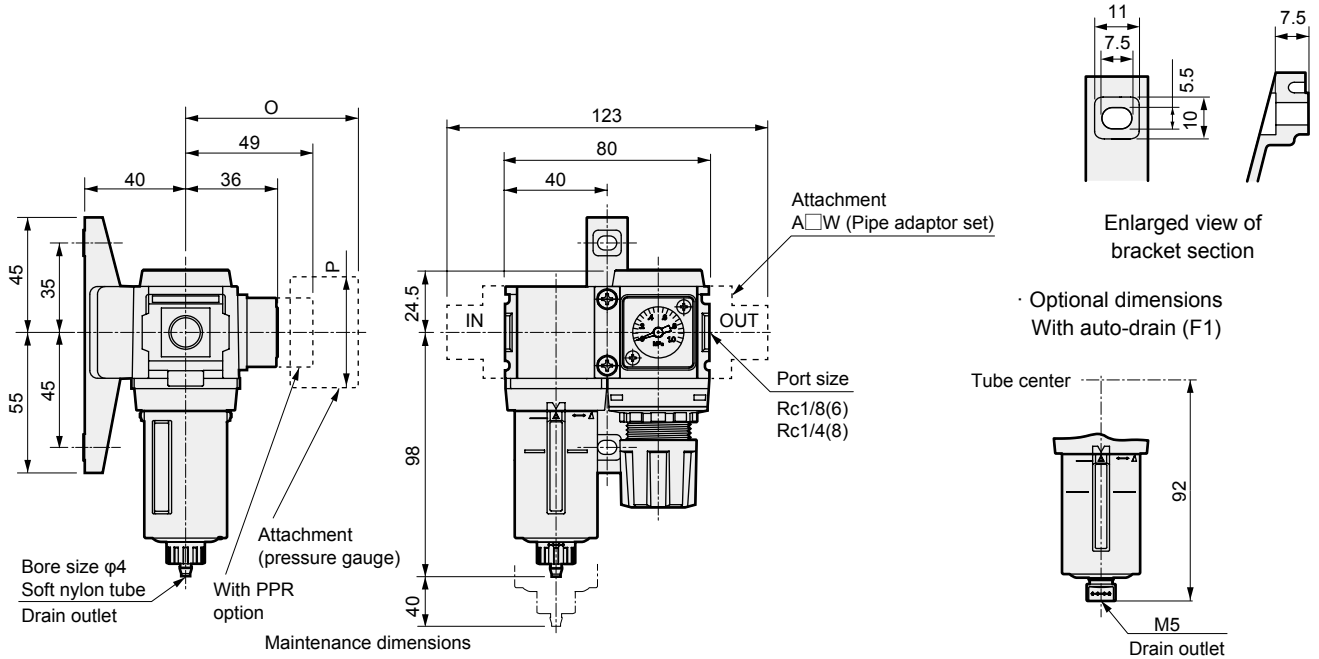
F.R. Combination



- F.R.L
- F (Filtr)
- R (Reg)
- L (Lub)
- PresSW
- Shutoff
- SlowStart
- FimResistFR
- Oil-ProhR
- MedPresFR
- No Cu/
PTFE FRL
- Outdrs FR
- F.R.L
(Related)
- CompFRL
- LgFRL
- PrecsR
- VacFR
- Clean FR
- ElecPneuR
- AirBoost
- SpdContr
- Silncr
- CheckV/
other
- Jnt/tube
- AirUnt
- PresCompn
- Mech/
ElecPresSw
- ContactSW
- AirSens
- PresSW
Cool
- AirFloSens/
Contr
- WaterRtSens
- TotAirSys
(Total Air)
- TotAirSys
(Gamma)
- RefrDry
- DesicDry
- HiPolymDry
- MainFiltr
- Dischrg
etc
- Ending

Dimensions

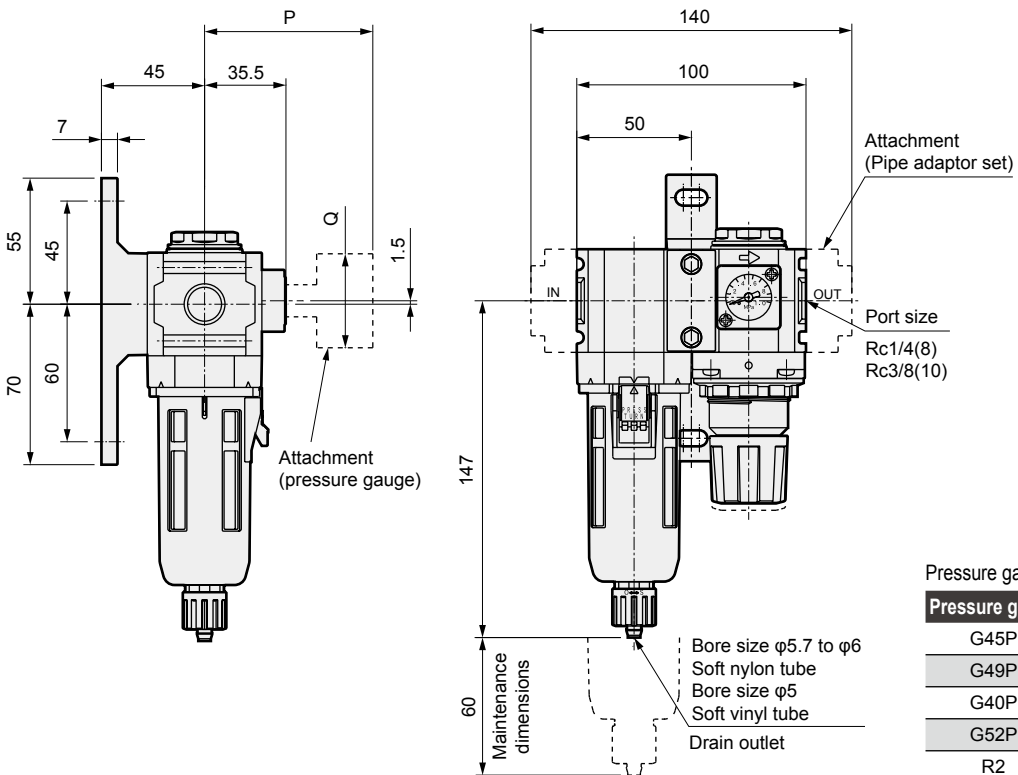
● C1020-W



Pressure gauge attached optional dimensions table

Pressure gauge	O	P
G45P	(74)	φ39
G49P	(73.5)	φ43.5
G59P	(76)	φ52
G40P	(75.5)	φ42.5
G50P	(75.5)	φ52.5
G41P	(74)	φ42
G52P	(86)	φ52.5
R2	(74)	□30

● C2020-W



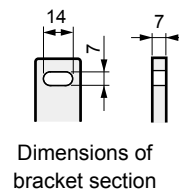
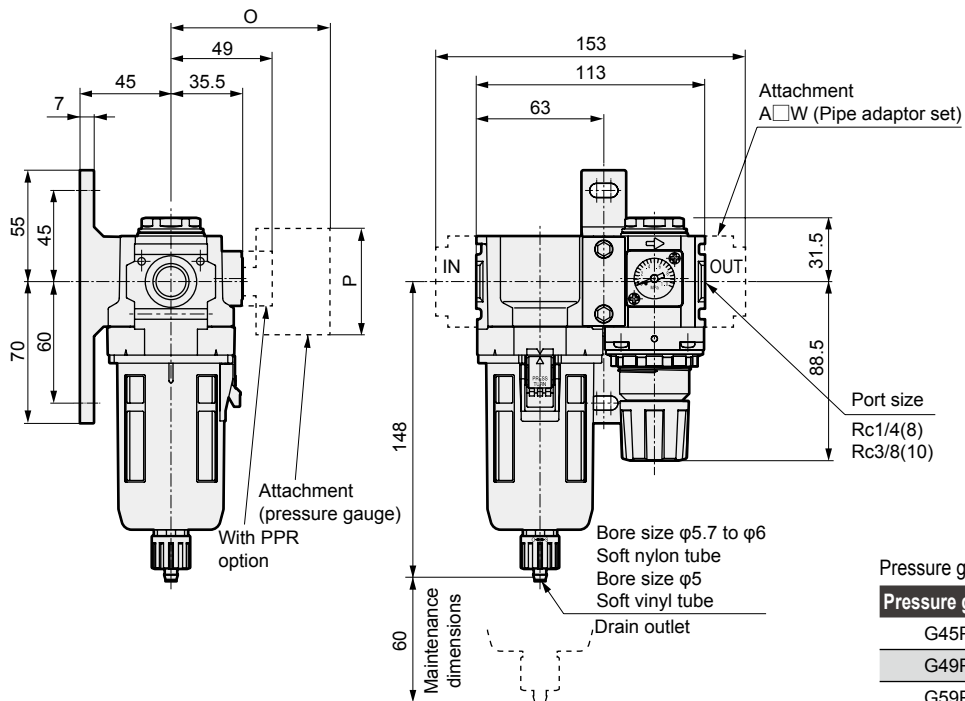
Pressure gauge attached optional dimensions table

Pressure gauge	P	Q
G45P	(73.5)	φ39
G49P	(73)	φ43.5
G40P	(75)	φ42.5
G52P	(85.5)	φ52.5
R2	(73)	□30

Dimensions



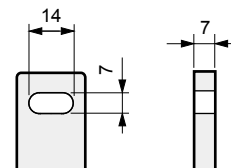
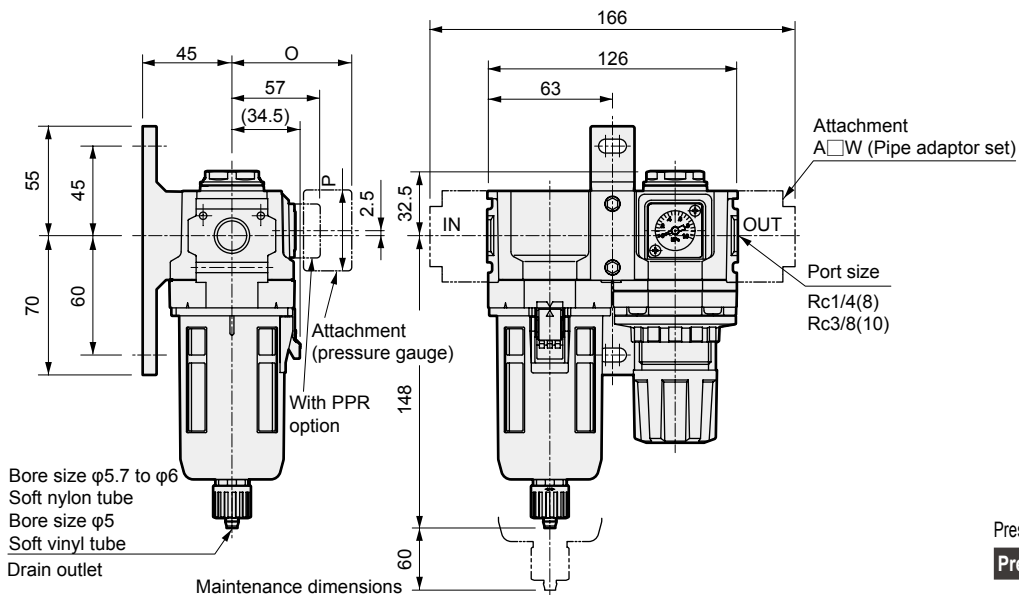
● C2520-W



Pressure gauge attached optional dimensions table

Pressure gauge	O	P
G45P	(73.5)	φ39
G49P	(73)	φ43.5
G59P	(75.5)	φ52
G40P	(75)	φ42.5
G52P	(85.5)	φ52.5
R2	(73)	□30

● C3020-W



Pressure gauge attached optional dimensions table

Pressure gauge	O	P
G45P	(70)	φ39
G49P	(69.5)	φ43.5
G59P	(72)	φ52
G40P	(71.5)	φ42.5
G52P	(82)	φ52.5
R2	(69.5)	□30

● Refer to page 103 for the optional dimensions of the metal bowl.

F (Filtr)
R (Reg)
L (Lub)
PresSW
Shutoff
SlowStart
FimResistFR
Oil-ProhR
MedPresFR
No Cu/ PTFE FRL
Outdrs FR
F.R.L (Related)
CompFRL
LgFRL
PrecsR
VacF/R
Clean FR
ElecPneuR
AirBoost
SpdContr
Silncr
CheckV/ other
Jnt/tube
AirUnt
PrecsCompn
Mech/ ElecPresSw
ContactSW
AirSens
PresSW Cool
AirFloSens/ Contr
WaterRtSens
TotAirSys (Total Air)
TotAirSys (Gamma)
RefrDry
DesicDry
HiPolymDry
MainFiltr
Dischrg etc
Ending

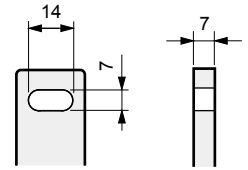
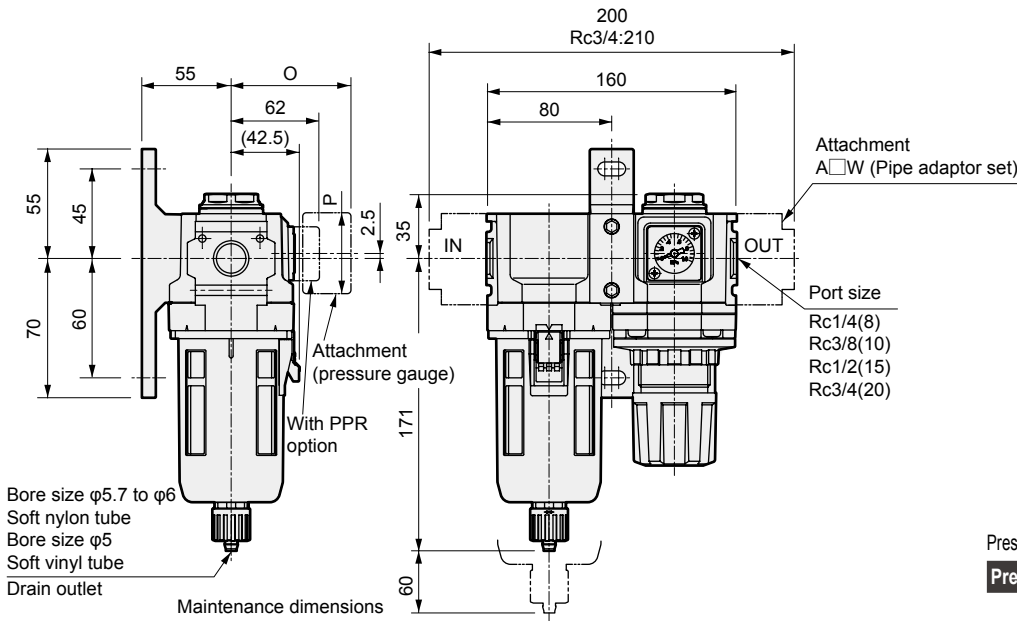
F.R. Combination



Dimensions

- F (Filtr)
- R (Reg)
- L (Lub)
- PresSW
- Shutoff
- SlowStart
- FimResistFR
- Oil-ProhrR
- MedPresFR
- No Cu/PTFE FRL
- Outdrs FR
- F.R.L (Related)
- CompFRL
- LgFRL
- PrecsR
- VacFR
- Clean FR
- ElecPneuR
- AirBoost
- SpdContr
- Silncr
- CheckV/other
- Jnt/tube
- AirUnt
- PrecsCompn
- Mech/ElecPresSw
- ContactSW
- AirSens
- PresSW Cool
- AirFloSens/Contr
- WaterRtSens
- TotAirSys (Total Air)
- TotAirSys (Gamma)
- RefrDry
- DesicDry
- HiPolymDry
- MainFiltr
- Dischrg etc
- Ending

● C4020-W



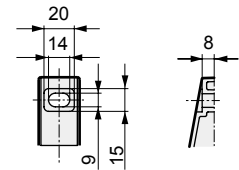
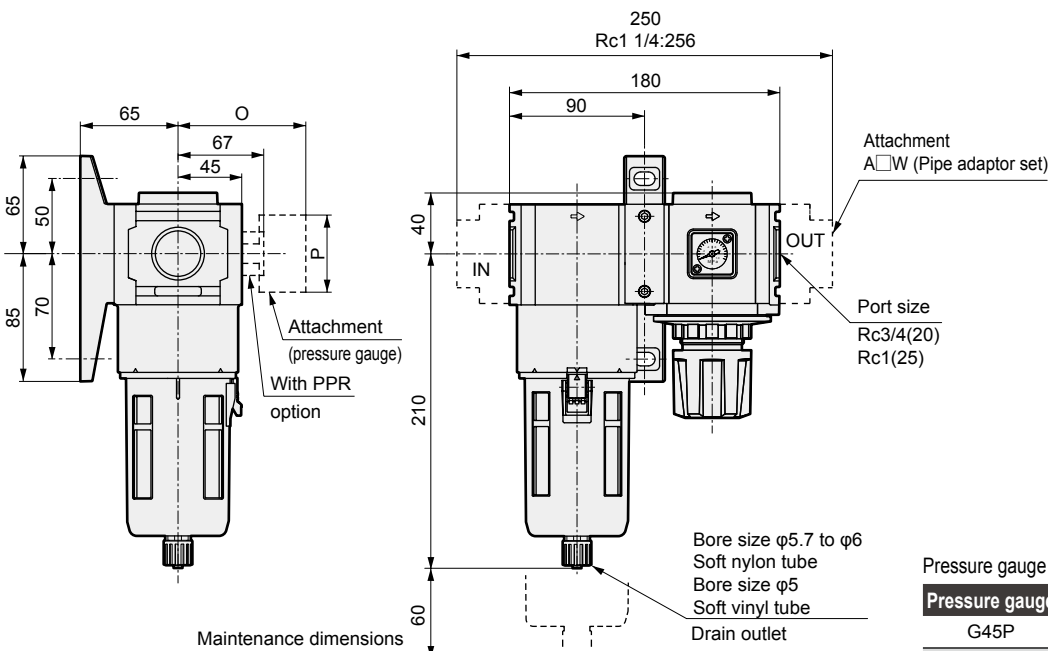
Enlarged view of bracket section

Pressure gauge attached optional dimensions table

Pressure gauge	O	P
G45P	(75)	$\phi 39$
G49P	(74.5)	$\phi 43.5$
G59P	(77)	$\phi 52$
G40P	(76.5)	$\phi 42.5$
G52P	(86)	$\phi 52.5$
R2	(75)	$\square 30$

● Refer to page 103 for the optional dimensions of the metal bowl.

● C6020-W



Dimensions of bracket section

Pressure gauge attached optional dimensions table

Pressure gauge	O	P
G45P	(80)	$\phi 39$
G49P	(79.5)	$\phi 43.5$
G59P	(82)	$\phi 52$
G40P	(81.5)	$\phi 42.5$
G52P	(93)	$\phi 52.5$
R2	(80)	$\square 30$

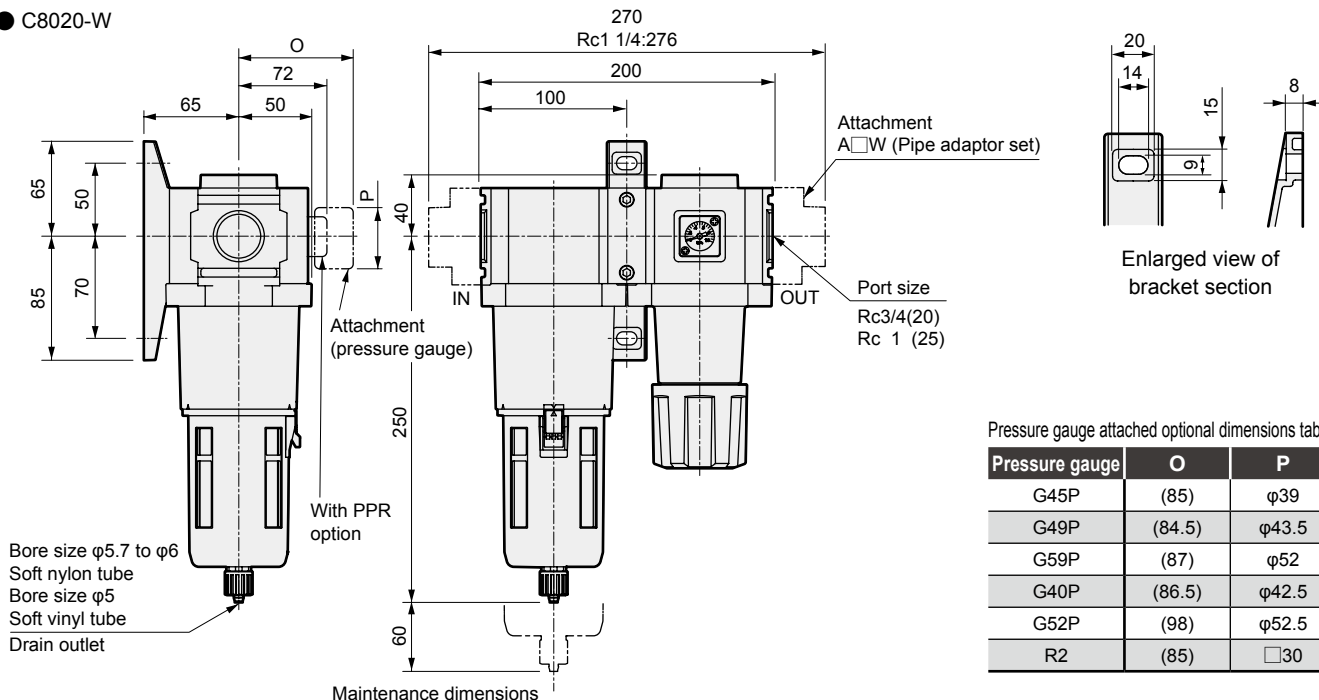
F.R. Combination

Option assembly dimensions

Dimensions



● C8020-W



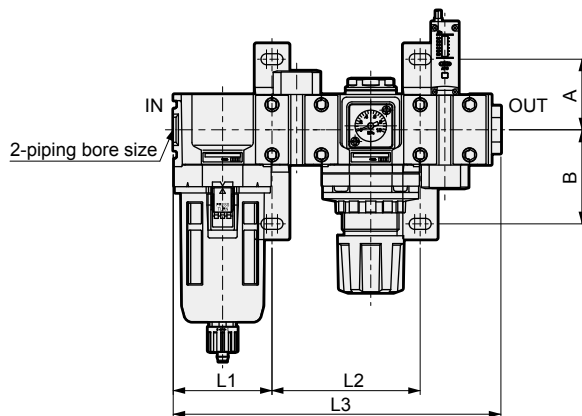
Pressure gauge attached optional dimensions table

Pressure gauge	O	P
G45P	(85)	φ39
G49P	(84.5)	φ43.5
G59P	(87)	φ52
G40P	(86.5)	φ42.5
G52P	(98)	φ52.5
R2	(85)	□30

● Refer to page 103 for the optional dimensions of the metal bowl.

Option assembly dimensions

● C1020-W to C8020-W



Model No.	A	B
C1020-W	35	45
C2020-W	45	60
C2520-W		
C3020-W		
C4020-W	50	70
C6020-W		
C8020-W		

Assembled option	D			S (*1)			P			V			K			DS (*1)			DP			DV			DK		
	L1	L2	L3	L1	L2	L3	L1	L2	L3	L1	L2	L3	L1	L2	L3	L1	L2	L3	L1	L2	L3	L1	L2	L3	L1	L2	L3
C1020-W	40	28	108	40	40	129.5	-	-	-	40	40	120	-	-	-	40	68	157.5	-	-	-	40	68	148	-	-	-
C2020-W	50	31.5	131.5	50	50	151.5	50	50	180	50	50	163	50	50	163	50	81.5	183	50	81.5	211.5	50	81.5	194.5	50	81.5	194.5
C2520-W	63	31.5	144.5	63	50	164.5	63	50	193	63	50	176	63	50	176	63	81.5	196	63	81.5	224.5	63	81.5	207.5	63	81.5	207.5
C3020-W	63	31.5	157.5	63	63	177.5	63	63	206	63	63	189	63	63	189	63	94.5	209	63	94.5	237.5	63	94.5	220.5	63	94.5	220.5
C4020-W	80	31.5	191.5	80	80	211.5	80	80	240	80	80	223	80	80	223	80	111.5	243	80	111.5	271.5	80	111.5	254.5	80	111.5	254.5
C4020-20-W *1	100	31.5	231.5	100	80	231.5	100	80	280	100	80	263	100	80	263	100	111.5	263	100	111.5	311.5	100	111.5	294.5	100	111.5	294.5
C6020-W	90	50	230	90	90	265	-	-	-	-	-	-	90	90	270	90	140	315	-	-	-	-	-	-	90	140	320
C8020-W	100	50	250	100	100	285	-	-	-	-	-	-	100	100	290	100	150	335	-	-	-	-	-	-	100	150	340
Assembled option	DSV			DSK			DPV			DPK			SV			SK			PV			PK					
	L1	L2	L3	L1	L2	L3	L1	L2	L3	L1	L2	L3	L1	L2	L3	L1	L2	L3	L1	L2	L3	L1	L2	L3			
C1020-W	40	96	176	-	-	-	-	-	-	-	-	-	40	68	148	-	-	-	-	-	-	-	-	-			
C2020-W	50	113	226	50	113	226	50	162	274.5	50	162	274.5	50	81.5	194.5	50	81.5	194.5	50	130	243	50	130	243			
C2520-W	63	113	239	63	113	239	63	162	287.5	63	162	287.5	63	81.5	207.5	63	81.5	207.5	63	130	256	63	130	256			
C3020-W	63	126	252	63	126	252	63	175	300.5	63	175	300.5	63	94.5	220.5	63	94.5	220.5	63	143	269	63	143	269			
C4020-W	80	143	286	80	143	286	80	191.5	334.5	80	191.5	334.5	80	111.5	254.5	80	111.5	254.5	80	160	303	80	160	303			
C4020-20-W *1	100	143	326	100	143	326	100	191.5	374.5	100	191.5	374.5	100	111.5	294.5	100	111.5	294.5	100	160	343	100	160	343			
C6020-W	-	-	-	90	190	370	-	-	-	-	-	-	-	-	-	90	140	320	-	-	-	-	-	-			
C8020-W	-	-	-	100	200	390	-	-	-	-	-	-	-	-	-	100	150	340	-	-	-	-	-	-			

L1: Dimensions from the IN edge to center of the T type bracket mounting hole
 L2: Spacing dimensions of the mounting hole from the first T type bracket to the second T type bracket
 L3: Dimensions from the IN edge to the OUT edge

* Refer to page 267 for details on bracket mounting hole dimensions.
 *1: The pipe adaptor is assembled on the OUT side.
 As well, the pipe adaptor A400-20-W is assembled on both ends of C4020-20-W.

F (Filtr)
R (Reg)
L (Lub)
PresSW
Shutoff
SlowStart
FimResistFR
Oil-ProhR
MedPresFR
No Cu/ PTFE FRL
Outdrs FR
F.R.L (Related)
CompFRL
LgFRL
PrecsR
VacF/R
Clean FR
ElecPneuR
AirBoost
SpdContr
Silncr
CheckV/ other
Jnt/tube
AirUnt
PrecsCompn
Mech/ ElecPresSw
ContactSW
AirSens
PresSW Cool
AirFloSens/ Contr
WaterRtSens
TotAirSys (Total Air)
TotAirSys (Gamma)
RefrDry
DesicDry
HiPolymDry
MainFiltr
Dischrg etc
Ending



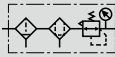
F.M.R. combination Standard White Series

C1030/C2030/C2530-W C3030/C4030/C6030/C8030-W Series

Integrated filter, oil mist filter and regulator

● Port size: 1/8 to 1

JIS symbol



Specifications

1 MPa ≈ 145.0 psi, 1 MPa = 10 bar

Descriptions		C1030-W	C2030-W	C2530-W	C3030-W	C4030-W	C6030-W	C8030-W
Appearance								
Comps	Filter	F1000-W	F2000-W	F3000-W	F3000-W	F4000-W	F6000-W	F8000-W
	Oil mist filter	M1000-W	M2000-W	M3000-W	M3000-W	M4000-W	M6000-W	M8000-W
	Regulator	R1000-W	R2000-W	R2000-W	R3000-W	R4000-W	R6000-W	R8000-W
Working fluid		Compressed air						
Max. working pressure MPa		1.0 (≈150 psi, 10 bar) *3						
Proof pressure MPa		1.5 (≈220 psi, 15 bar)						
Ambient / fluid temperatures °C		5 (41°F) to 60 (140°F) *2						
Set pressure MPa		0.05 to 0.85 *3		0.05 (≈7.3 psi, 0.5 bar) to 0.85 (≈120 psi, 8.5 bar)				
Pressure relief		With relief mechanism						
Port size	Rc,NPT,G	1/8,1/4 (3/8 uses an adaptor)	1/4,3/8 (1/2 uses an adaptor)	1/4,3/8 (1/2 uses an adaptor)	1/4,3/8 (1/2 uses an adaptor)	1/4,3/8,1/2 (3/4 uses an adaptor)	3/4,1 (11/4 uses an adaptor)	3/4,1 (11/4 uses an adaptor)
Weight	kg	0.40	0.98	1.02	1.10	1.86	3.19	4.45
Secondary oil concentration (Oil mist filter outlet side)		0.01 mg/m ³ or less (0.1 mg/m ³ or less after oil saturation)						
Max. flow rate (*1)	m ³ /min	0.15	0.25	0.36	0.36	0.825	1.27	2.6

- *1: The max. flow is for a primary pressure of 0.7 MPa. Refer to page 98 for the max. flow rate of element option "Y".
- *2: The ambient / fluid temperatures for "RN" or "RP" (pressure switch with display PPR is mounted) and "R2" (digital pressure sensor PPX is attached) is 5 to 50°C.
- *3: When using C1030-W Series "F1" with auto-drain, the NC auto-drain is included for both the filter and oil mist filter. Min. working pressure is 0.2 MPa and max. working pressure is 0.7 MPa. Refer to the max. working processing flow rate table (page 108) for M1000-W-F1 auto-drain for the max. working flow rate.
- *4: Refer to page 106 for details on other oil mist filters.
- *5: In the case of "F" with auto-drain, the supply air pressure is 0.15 MPa or more. For the air filter auto-drain, air is purged with the initial drainage until pressure reaches 0.1 MPa.
- *6: When "F1" with an auto-drain is selected, the filter, oil mist filter, and NC auto-drain are assembled, but the supply air pressure must be 0.15 MPa and over.

Option weight

* Add to the weight of the standard accessories.

Unit: kg

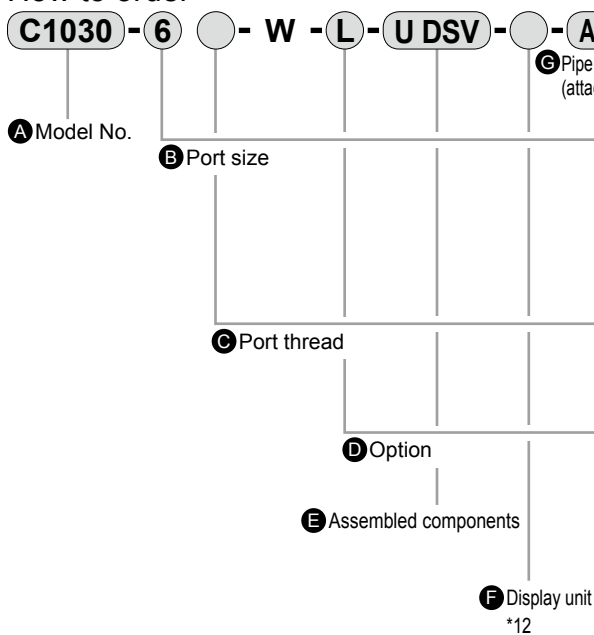
Code	Drain discharge				Bowl material		Pressure gauge		Pipe adaptor set						
	F	F1	FF	FF1	M	M1	T*	RN/RP	A6*W	A8*W	A10*W	A15*W	A20*W	A25*W	A32*W
C1030		0.014					0	0.04	0.09	0.09	0.09				
C2030		0.04				0.2	0	0.04		0.16	0.16	0.16			
C2530		0.04			0.2	0.2	0	0.04		0.16	0.16	0.16			
C3030	0.04	0.04			0.2	0.2	0	0.04		0.16	0.16	0.16			
C4030	0.04	0.04			0.2	0.2	0	0.04		0.16	0.16	0.16	0.16		
C6030	0.04	0.04			0.2	0.2	0	0.04					0.53	0.53	0.53
C8030	0.04	0.04	0.04	0.04	0.2	0.2	0	0.04					0.53	0.53	0.53

Code	Assembled components					Pressure gauge					
	D	S	P	V	K	G45P	G49P	G59P	G40P	G52P	R2
C1030	0.056	0.15		0.18		0.074	0.086	0.115	0.085	0.15	0.04
C2030	0.17	0.23	0.54	0.29	0.34	0.074	0.086		0.085	0.15	0.04
C2530	0.17	0.23	0.54	0.29	0.34	0.074	0.086	0.115	0.085	0.15	0.04
C3030	0.17	0.23	0.54	0.29	0.34	0.074	0.086	0.115	0.085	0.15	0.04
C4030	0.17	0.23	0.54	0.29	0.34	0.074	0.086	0.115	0.085	0.15	0.04
C6030	0.45	0.51			0.9	0.074	0.086	0.115	0.085	0.15	0.04
C8030	0.45	0.51			0.9	0.074	0.086	0.115	0.085	0.15	0.04

F.M.R. Combination

How to order

How to order



		A Model No.					
		C1030	C2030	C2530	C3030	C4030	C6030
B Port size							
6	1/8	●					
8	1/4	●	●	●	●		
10	3/8		●	●	●		
15	1/2				●		
20	3/4					● ^{*1}	●
25	1						●
C Port thread							
Blank	Rc thread	●	●	●	●	●	●
N	NPT thread	●	●	●	●	●	●
G	G thread	●	●	●	●	●	●
D Option							
Drain discharge *4, *5	Blank	With manual drain cock	●	●	●	●	●
	F	Auto-drain with manual override (NO: Exhaust when not pressurized)			●	●	●
	F1	Auto-drain with manual override (NC: No exhaust when not pressurized)	●	●	●	●	●
	FF	Large auto-drain with manual override (NO: Exhaust when not pressurized)					●
	FF1	Large auto-drain with manual override (NC: No exhaust when not pressurized)					●
Bowl material	Blank	Polycarbonate bowl	●	●	●	●	●
	Z	Nylon bowl	●	●	●	●	●
	M	Metal bowl			●	●	●
	M1	Metal bowl with manual drain cock			●	●	●
Element	Blank	5 μm	●	●	●	●	●
	Y	0.3 μm (submicron) *6			●	●	●
Diff press detect	Blank	Without differential pressure detection port	●	●	●	●	●
	Q	With differential pressure detection port (Rc 1/4)					●
Pressure range	Blank	0.05 to 0.85 MPa	●	●	●	●	●
	L	0.05 to 0.35 MPa *7	●	●	●	●	●
Pressure relief	Blank	With relief mechanism	●	●	●	●	●
	N	Non-relief	●	●	●	●	●
Pressure gauge	Blank	With standard pressure gauge (G401-W)	●	●	●	●	●
	T	No pressure gauge (gauge port (1/4) is assembled sealed)	●	●	●	●	●
	T8	Pressure gauge ready (gauge port (1/4) is left open)	●	●	●	●	●
	T6	Digital pressure sensor PPX attachment option *8	●	●	●	●	●
	RN	Pressure switch with display PPR mounted (NPN output 1 point)			●	●	●
Flow Direction	Blank	Standard flow (left → right)	●	●	●	●	●
	X1	Reverse flow (right → left)	●	●	●	●	●
E Assembled components		Pages 148 to 159, 268 and 269					
Blank		Without assembled component					
U		Assembled component *9					
Assembled component	D	Distributor (D101-W, D401-W, D801-W)					
	S	Pressure switch (P1100-W, 4100-W, 8100-W)					
	P	Pressure switch (P4000-W)					
	V	Shut-off valve (V1000-W, 3000-W)					
	K	Shut-off valve with keyhole (V3010-W, V6010-W)					
F Display unit							
Blank		MPa display, Rc thread					
J1		MPa display, NPT, G thread					
G Pipe adaptor set (attachments)		Page 271 *10					
Blank		Not attached					
A6*W		1/8 pipe adaptor set					
A8*W		1/4 pipe adaptor set					
A10*W		3/8 pipe adaptor set					
A15*W		1/2 pipe adaptor set					
A20*W		3/4 pipe adaptor set					
A25*W		1 pipe adaptor set					
A32*W		1 1/4 pipe adaptor set					
* Adaptor thread							
Blank		Rc thread					
N		NPT thread					
G		G thread					
H Pressure gauge option (attachments)		Page 289 *11					
Blank		Not attached					
G45P		G45D-8-P10(L:G45D-8-P04)					
G49P		G49D-8-P10(L:G49D-8-P04)					
G59P		G59D-8-P10(L:G59D-8-P04)					
G40P		G40D-8-P10(L:G40D-8-P04)					
G52P		G52D-8-P10(L:G52D-8-P10)					
R2 *8		Digital pressure sensor: PPX-R10N-6M					

⚠ Precautions for model No. selection

- *1: Pipe adaptor A400-20*W is assembled on both ends of C4030-20*W. A20*W does not need to be selected for the pipe adaptor set.
- *2: G threads and NPT threads are available for IN, OUT, gauge port and drain outlet (metal bowl with auto-drain). Attachments P and V are also included.
- *3: Select options for the drainage, bowl material, element, differential pressure detection and regulator. When selecting options for several items, list options in order from the top.
- *4: Refer to page 280 for the auto-drain usage conditions.
- *5: When option code "F" is selected, the NO auto-drain is enclosed for the air filter and the NC auto-drain is enclosed for the oil mist filter. For "FF" and "FF1", only the filter has a large discharge rate. The oil mist filter is normal NC auto-drain.
- *6: Refer to page 98 for max. processing flow rate when option "Y" is selected.
- *7: The pressure gauge's indication range is 0 to 0.4 MPa for the option "L".
- *8: When option "T6" is selected, only "Blank" or "R2" can be selected for **H** Pressure gauge (attachment). The digital pressure sensor PPX mounting port (Rc1/8) is left open.
- *9: Installation position for assembled components

Code	Attachment Install positions	Compatible model
D	F+M+(D)+R	C1030-W to C8030-W
S or P	F+M+R+(S,P)	C1030-W to C8030-W ("P" excludes 1000, 6000 and 8000 Series)
V or K	F+M+R+(V,K)	C1030-W to C4030-W ("V" excludes 6000 and 8000 Series and "K" excludes 1000 Series)

- Note) Indicate "U"+"D", "S", "P", "V" and "K" when selecting an assembled component.
Use custom combination specifications sheet for any other combination.
- *10: The joiner set is enclosed with the pipe adaptor set.
 - *11: If NPT is selected for **C** Port thread, an NPT pressure gauge is supplied. If Rc or G thread is selected, an R thread pressure gauge is supplied.
 - *12: Display unit options when selecting NPT threads: If Blank is selected, the pressure unit is psi and the temperature display unit is °F. When G thread and Blank display unit option are selected, the pressure unit will be bar and the temperature display unit will be °C. When NPT/G thread and "J1" display unit option are selected, the pressure unit will be MPa and the temperature display unit will be °C.

- F.R.L
- F (Filtr)
 - R (Reg)
 - L (Lub)
 - PresSW
 - Shutoff
 - SlowStart
 - FimResistFR
 - Oil-ProhR
 - MedPresFR
 - No Cu/ PTFE FRL
 - Outdrs FR
 - F.R.L (Related)
 - CompFRL
 - LgFRL
 - PrecsR
 - VacF/R
 - Clean FR
 - ElecPneUR
 - AirBoost
 - SpdContr
 - Silncr
 - CheckV/ other
 - Jnt/tube
 - AirUnt
 - PrecsCompn
 - Mech/ ElecPresSw
 - ContactSW
 - AirSens
 - PresSW Cool
 - AirFloSens/ Contr
 - WaterRISens
 - TotAirSys (Total Air)
 - TotAirSys (Gamma)
 - RefrDry
 - DesicDry
 - HiPolymDry
 - MainFiltr
 - Dischrg etc
 - Ending

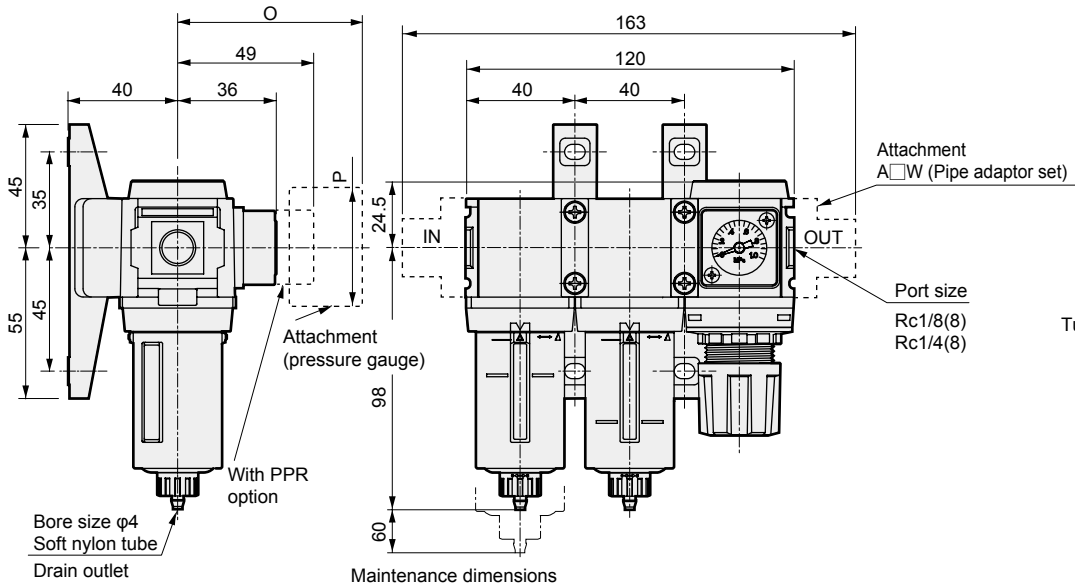
F.M.R. Combination



Dimensions

- F.R.L
- F (Filtr)
- R (Reg)
- L (Lub)
- PresSW
- Shutoff
- SlowStart
- FimResistFR
- Oil-ProhR
- MedPresFR
- No Cu/
PTFE FRL
- Outdrs FR
- F.R.L
(Related)
- CompFRL
- LgFRL
- PrecsR
- VacFR
- Clean FR
- ElecPneuR
- AirBoost
- SpdContr
- Silncr
- CheckV/
other
- Jnt/tube
- AirUnt
- PrecsCompn
- Mech/
ElecPresSw
- ContactSW
- AirSens
- PresSW
Cool
- AirFloSens/
Contr
- WaterRtSens
- TotAirSys
(Total Air)
- TotAirSys
(Gamma)
- RefrDry
- DesicDry
- HiPolymDry
- MainFiltr
- Dischrg
etc
- Ending

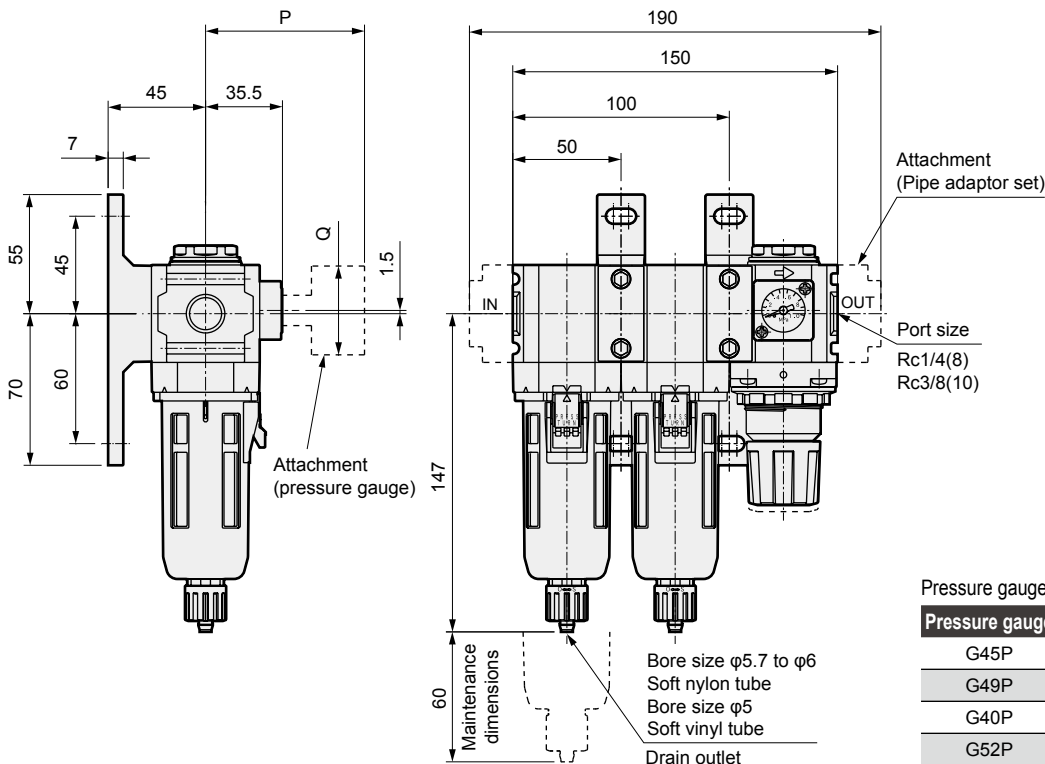
● C1030-W



Pressure gauge attached optional dimensions table

Pressure gauge	O	P
G45P	(74)	φ39
G49P	(73.5)	φ43.5
G59P	(76)	φ52
G40P	(75.5)	φ42.5
G52P	(86)	φ52.5
R2	(74)	□30

● C2030-W



Pressure gauge attached optional dimensions table

Pressure gauge	P	Q
G45P	(73.5)	φ39
G49P	(73)	φ43.5
G40P	(75)	φ42.5
G52P	(85.5)	φ52.5
R2	(73)	□30

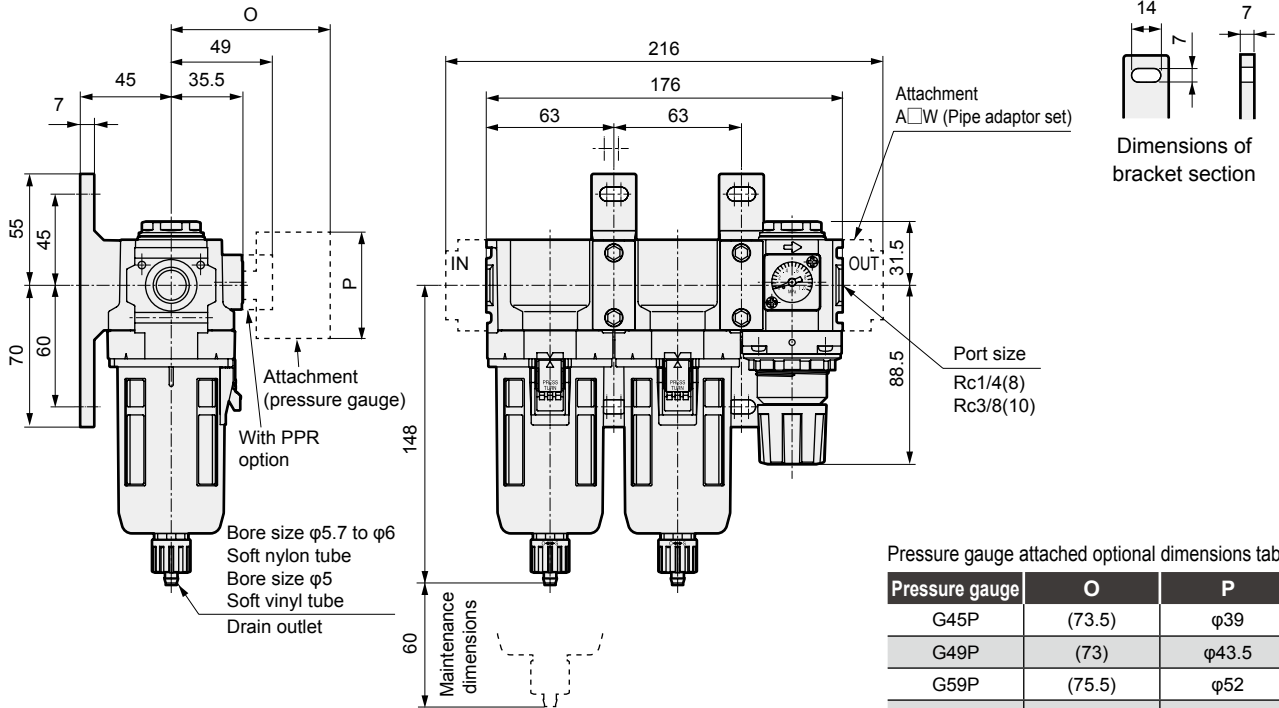
F.M.R. Combination

Dimensions

Dimensions



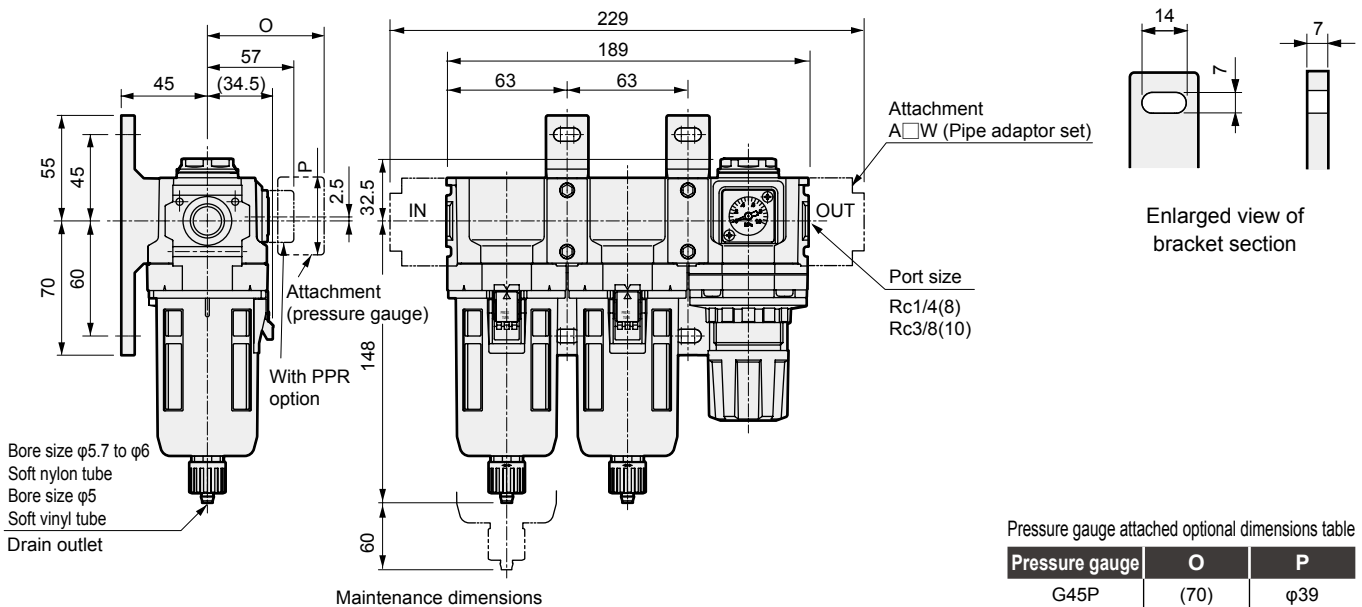
● C2530-W



Pressure gauge attached optional dimensions table

Pressure gauge	O	P
G45P	(73.5)	$\phi 39$
G49P	(73)	$\phi 43.5$
G59P	(75.5)	$\phi 52$
G40P	(75)	$\phi 42.5$
G52P	(85.5)	$\phi 52.5$
R2	(73)	□30

● C3030-W



Pressure gauge attached optional dimensions table

Pressure gauge	O	P
G45P	(70)	$\phi 39$
G49P	(69.5)	$\phi 43.5$
G59P	(72)	$\phi 52$
G40P	(71.5)	$\phi 42.5$
G52P	(82)	$\phi 52.5$
R2	(69.5)	□30

● Refer to page 103 for the dimensions of the metal bowl option filter and page 113 for the oil mist filter.

- F (Filtr)
- R (Reg)
- L (Lub)
- PresSW
- Shutoff
- SlowStart
- FimResistFR
- Oil-ProhR
- MedPresFR
- No Cu/ PTFE FRL
- Outdrs FR
- F.R.L (Related)
- CompFRL
- LgFRL
- PrecsR
- VacF/R
- Clean FR
- ElecPneuR
- AirBoost
- SpdContr
- Silncr
- CheckV/ other
- Jnt/tube
- AirUnt
- PrecsCompn
- Mech/ ElecPresSw
- ContactSW
- AirSens
- PresSW Cool
- AirFloSens/ Contr
- WaterRISens
- TotAirSys (Total Air)
- TotAirSys (Gamma)
- RefrDry
- DesicDry
- HiPolymDry
- MainFiltr
- Dischrg etc
- Ending

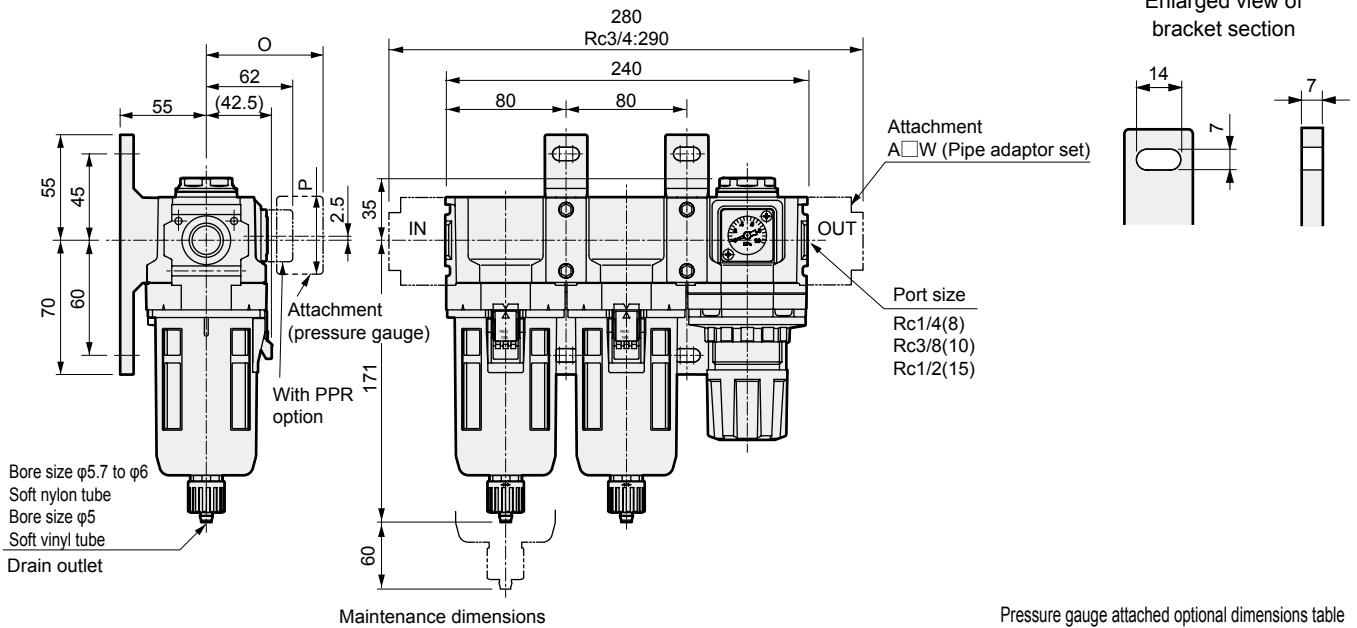
F.M.R. Combination



- F.R.L
- F (Filtr)
- R (Reg)
- L (Lub)
- PresSW
- Shutoff
- SlowStart
- FimResistFR
- Oil-ProHR
- MedPresFR
- No Cu/PTFE FRL
- Outdrs FR
- F.R.L (Related)
- CompFRL
- LgFRL
- PrecsR
- VacFR
- Clean FR
- ElecPneuR
- AirBoost
- SpdContr
- Silncr
- CheckV/other
- Jnt/tube
- AirUnt
- PrecsCompn
- Mech/ElecPresSw
- ContactSW
- AirSens
- PresSW Cool
- AirFloSens/Contr
- WaterRtSens
- TotAirSys (Total Air)
- TotAirSys (Gamma)
- RefrDry
- DesicDry
- HiPolymDry
- MainFiltr
- Dischrg etc
- Ending

Dimensions

● C4030-W

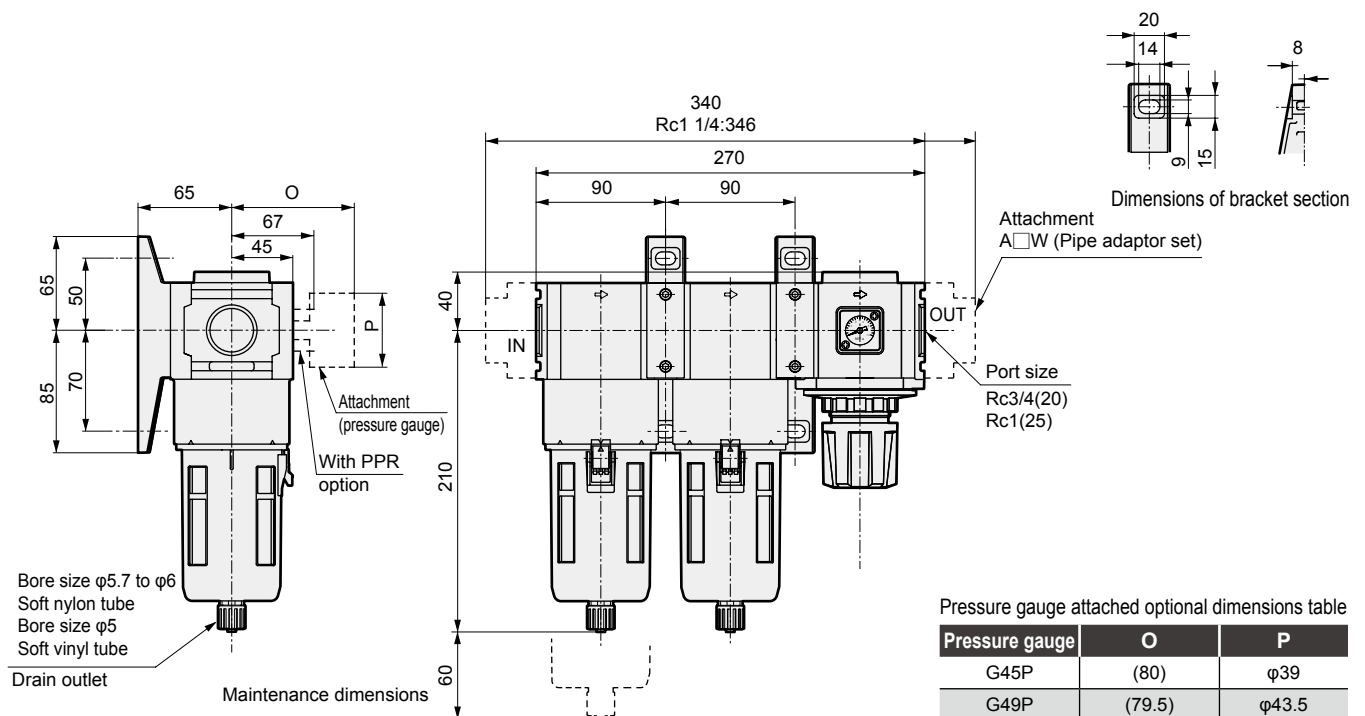


Pressure gauge attached optional dimensions table

Pressure gauge	O	P
G45P	(75)	φ29
G49P	(74.5)	φ43.5
G59P	(77)	φ52
G40P	(76.5)	φ42.5
G52P	(86)	φ52.5
R2	(75)	□30

● Refer to page 103 for the dimensions of the metal bowl option filter and page 113 for the oil mist filter.

● C6030-W



Pressure gauge attached optional dimensions table

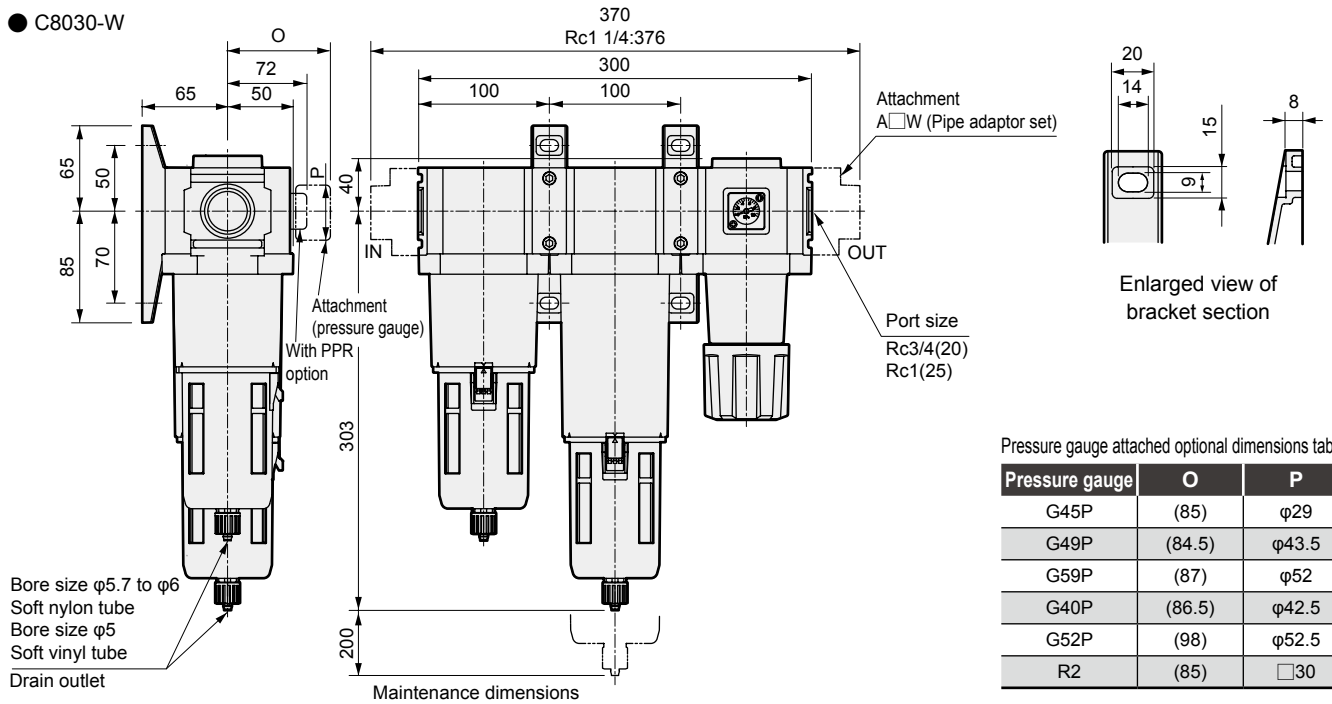
Pressure gauge	O	P
G45P	(80)	φ39
G49P	(79.5)	φ43.5
G59P	(82)	φ52
G40P	(81.5)	φ42.5
G52P	(93)	φ52.5
R2	(80)	□30

F.M.R. Combination

Option assembly dimensions

Dimensions

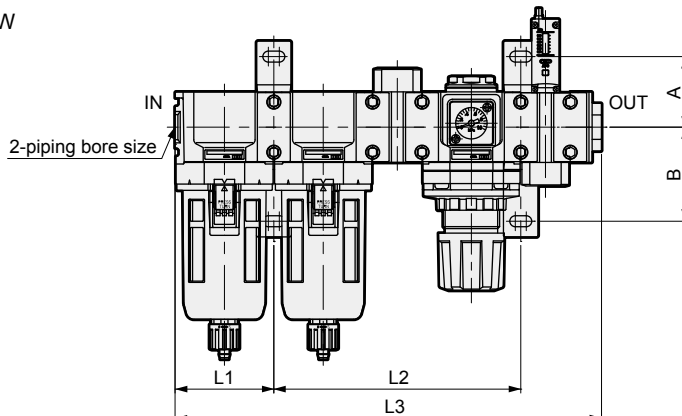
● C8030-W



● Refer to page 103 for the dimensions of the metal bowl option filter and page 113 for the oil mist filter.

Option assembly dimensions

● C1030-W to C8030-W



Model No.	A	B
C1030-W	35	45
C2030-W	45	60
C2530-W		
C3030-W		
C4030-W		
C6030-W	50	70
C8030-W		

Assembled option Model No.	D			S (*1)			P			V			K			DS (*1)			DP			DV			DK		
	L1	L2	L3	L1	L2	L3	L1	L2	L3	L1	L2	L3	L1	L2	L3	L1	L2	L3	L1	L2	L3	L1	L2	L3	L1	L2	L3
C1030-W	40	68	148	40	80	169.5	-	-	-	40	80	160	-	-	-	40	108	197.5	-	-	-	40	108	188	-	-	-
C2030-W	50	94.5	181.5	50	113	201.5	50	113	230	50	113	213	50	113	213	50	144.5	233	50	144.5	261.5	50	144.5	244.5	50	144.5	244.5
C2530-W	63	94.5	207.5	63	113	227.5	63	113	256	63	113	239	63	113	239	63	144.5	259	63	144.5	287.5	63	144.5	270.5	63	144.5	270.5
C3030-W	63	94.5	220.5	63	126	240.5	63	126	269	63	126	252	63	126	252	63	157.5	272	63	157.5	300.5	63	157.5	283.5	63	157.5	283.5
C4030-W	80	111.5	271.5	80	160	291.5	80	160	320	80	160	303	80	160	303	80	191.5	323	80	191.5	351.5	80	191.5	334.5	80	191.5	334.5
C4030-20-W *1	100	111.5	311.5	100	160	311.5	100	160	360	100	160	353	100	160	343	100	191.5	343	100	191.5	391.5	100	191.5	374.5	100	191.5	374.5
C6030-W	90	140	320	90	180	355	-	-	-	-	-	-	90	180	360	90	230	405	-	-	-	-	-	-	90	230	410
C8030-W	100	150	350	100	200	385	-	-	-	-	-	-	100	200	390	100	250	435	-	-	-	-	-	-	100	250	440
Assembled option Model No.	DSV			DSK			DPV			DPK			SV			SK			PV			PK					
Model No.	L1	L2	L3	L1	L2	L3	L1	L2	L3	L1	L2	L3	L1	L2	L3	L1	L2	L3	L1	L2	L3	L1	L2	L3	L1	L2	L3
C1030-W	40	136	216	-	-	-	-	-	-	-	-	-	40	108	188.0	-	-	-	-	-	-	-	-	-	-	-	-
C2030-W	50	176	276	50	176	276	50	225	325	50	225	325	50	144.5	244.5	50	144.5	244.5	50	193	293	50	193	293	50	193	293
C2530-W	63	176	302	63	176	302	63	225	351	63	225	351	63	144.5	270.5	63	144.5	270.5	63	193	319	63	193	319	63	193	319
C3030-W	63	189	315	63	189	315	63	238	364	63	238	364	63	157.5	283.5	63	157.5	283.5	63	206	332	63	206	332	63	206	332
C4030-W	80	223	366	80	223	366	80	271.5	414.5	80	271.5	414.5	80	191.5	334.5	80	191.5	334.5	80	240	383	80	240	383	80	240	383
C4030-20-W *1	100	223	406	100	223	406	100	271.5	454.5	100	271.5	454.5	100	191.5	374.5	100	191.5	374.5	100	240	423	100	240	423	100	240	423
C6030-W	-	-	-	90	280	460	-	-	-	-	-	-	-	-	-	90	230	410	-	-	-	-	-	-	-	-	-
C8030-W	-	-	-	100	300	490	-	-	-	-	-	-	-	-	-	100	250	440	-	-	-	-	-	-	-	-	-

L1: Dimensions from the IN edge to center of the T type bracket mounting hole
L2: Spacing dimensions of the mounting hole from the first T type bracket to the second T type bracket
L3: Dimensions from the IN edge to the OUT edge

* Refer to page 267 for details on bracket mounting hole dimensions.
*1: The pipe adaptor is assembled on the OUT side.
As well, the pipe adaptor A400-20-W is assembled on both ends of C4030-20-W.



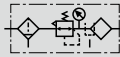
W.M. combination Standard White Series

C1040/C2040/C3040/C4040/C8040-W Series

Filter/regulator and oil mist filter integrated.

● Port size: 1/8 to 1

JIS symbol



Specifications

1 MPa ≈ 145.0 psi, 1 MPa = 10 bar

Descriptions		C1040-W	C2040-W	C3040-W	C4040-W	C8040-W
Appearance						
Comps	Filter/regulator	W1000-W	W2000-W	W3000-W	W4000-W	W8000-W
	Oil mist filter	M1000-W	M2000-W	M3000-W	M4000-W	M8000-W
Working fluid		Compressed air				
Max. working pressure MPa		1.0 (≈150 psi, 10 bar) *3				
Proof pressure MPa		1.5 (≈220 psi, 15 bar)				
Ambient / fluid temperatures °C		5 (41°F) to 60 (140°F) *2				
Set pressure MPa		0.1 to 0.85 *3	0.1 (≈15 psi, 1 bar) to 0.85 (≈120 psi, 8.5 bar) *5, *6			
Pressure relief		With relief mechanism				
Port size Rc,NPT,G		1/8, 1/4 (3/8 uses an adaptor)	1/4, 3/8 (1/2 uses an adaptor)	1/4, 3/8 (1/2 uses an adaptor)	1/4, 3/8, 1/2 (3/4 uses an adaptor)	3/4, 1 (1 1/4 uses an adaptor)
Weight kg		0.31	0.74	0.97	1.52	3.52
Secondary oil concentration		0.01 mg/m ³ or less (0.1 mg/m ³ or less after oil saturation)				
Max. flow rate (*1) m ³ /min		0.15	0.25	0.36	0.825	2.6

*1: Max. flow rate is for the regulator set pressure 0.7 MPa. Refer to page 98 for the max. flow rate of element option "Y".

*2: The ambient / fluid temperatures for "RN" or "RP" (pressure switch with display PPR is mounted) and "R2" (digital pressure sensor PPX is attached) is 5 to 50°C.

*3: When using C1040-W Series "F1" with auto-drain, the min. working pressure is 0.2 MPa and max. working pressure is 0.7 MPa. Refer to the max. working flow rate table (page 98) for F1000-W-F1 auto-drain for the max. working flow rate. Set the working flow rate to less than or equal to the max. working flow rate.

*4: Refer to page 106 for details on other oil mist filters.

*5: In the case of "F" with auto-drain, the supply air pressure is 0.2 MPa or more. The minimum set pressure is 0.15 MPa. The supply air pressure of the auto-drain of the filter regulator is 0.1 MPa. Air is purged with initial drain until pressure reaches 0.1 MPa.

*6: In the case of "F1" with auto-drain, the supply air pressure is 0.2 MPa or more. The minimum set pressure is 0.15 MPa.

Option weight

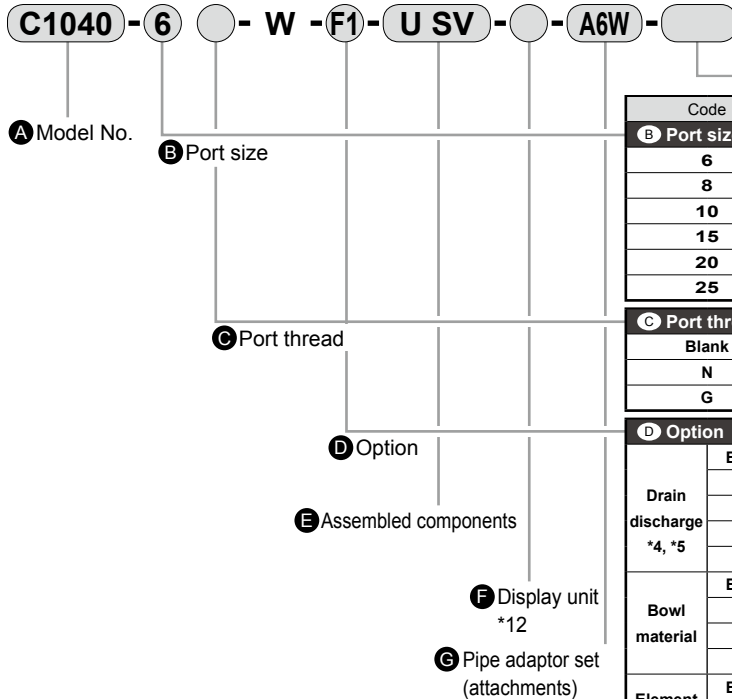
* Add to the weight of the standard accessories.

Unit: kg

Code	Drain discharge				Bowl material		Pressure gauge		Pipe adaptor set						
	F	F1	FF	FF1	M	M1	T*	RN/RP	A6*W	A8*W	A10*W	A15*W	A20*W	A25*W	A32*W
C1040		0.014					0	0.04	0.09	0.09	0.09				
C2040		0.04				0.2	0	0.04		0.16	0.16	0.16			
C3040	0.04	0.04			0.2	0.2	0	0.04		0.16	0.16	0.16			
C4040	0.04	0.04			0.2	0.2	0	0.04		0.16	0.16	0.16	0.16		
C8040	0.04	0.04	0.04	0.04	0.2	0.2	0	0.04					0.53	0.53	0.53

Code	Assembled components				Pressure gauge					
	S	P	V	K	G45P	G49P	G59P	G40P	G52P	R2
C1040	0.15		0.18		0.074	0.086	0.115	0.085	0.15	0.04
C2040	0.23	0.54	0.29	0.34	0.074	0.086		0.085	0.15	0.04
C3040	0.23	0.54	0.29	0.34	0.074	0.086	0.115	0.085	0.15	0.04
C4040	0.23	0.54	0.29	0.34	0.074	0.086	0.115	0.085	0.15	0.04
C8040	0.51			0.34	0.074	0.086	0.115	0.085	0.15	0.04

How to order



* Refer to page 28 for the explanation of the option.

A Model No.

B Port size

C Port thread

D Option

E Assembled components

F Display unit
*12

G Pipe adaptor set
(attachments)

⚠ Precautions for model No. selection

- *1: Pipe adaptor A400-20*-W is assembled on both ends of C4040-20*-W. A20*W does not need to be selected for the pipe adaptor set.
- *2: G threads and NPT threads are available for IN, OUT, gauge port and drain outlet (metal bowl with auto-drain). Attachments P and V are also included.
- *3: Select options for the drainage, bowl material, element, differential pressure detection and regulator. When selecting options for several items, list options in order from the top.
- *4: Refer to page 280 for the auto-drain usage conditions.
- *5: When option code "F" is selected, the NO auto-drain is included with the filter/regulator and the NC auto-drain is included with the oil mist filter. When option code "F1" is selected, the NC auto-drain is included with the filter/regulator oil mist filter. For "FF" and "FF1", only the filter/regulator has a large discharge rate. The oil mist filter is normal NC auto-drain.
- *6: Refer to page 98 for max. processing flow rate when option "Y" is selected.
- *7: The pressure gauge's indication range is 0 to 0.4 MPa for the option "L".
- *8: When option "T6" is selected, only "Blank" or "R2" can be selected for **H** Pressure gauge (attachment). The digital pressure sensor PPX mounting port (Rc1/8) is left open.
- *9: Installation position for assembled components

Code	Attachment Install positions	Compatible model
S or P	W+(S,P)+M	C1040-W to C8040-W ("P" excludes 1000 and 8000 Series)
V or K	W+M+(V,K)	C1040-W to C8040-W ("V" excludes 8000 Series and "K" excludes 1000 Series)

Note) Indicate "U"+"S", "P", "V" and "K" when selecting an assembled component.

Use custom combination specifications sheet for any other combination.

- *10: The joiner set is enclosed with the pipe adaptor set.
- *11: If NPT is selected for **C** Port thread, an NPT thread pressure gauge is supplied. If Rc or G thread is selected, an R screw pressure gauge is supplied.
- *12: Display unit options when selecting NPT threads: If Blank is selected, the pressure unit is psi and the temperature display unit is °F. When G thread and Blank display unit option are selected, the pressure unit will be bar and the temperature display unit will be °C. When NPT/G thread and "J1" display unit option are selected, the pressure unit will be MPa and the temperature display unit will be °C.

		A Model No.				
		C1040	C2040	C3040	C4040	C8040
H Pressure gauge option (attachments)						
Code	Content					
B Port size						
6	1/8	●				
8	1/4	●	●			
10	3/8		●	●		
15	1/2			●	●	
20	3/4				● ^{*1}	●
25	1					●
C Port thread						
Blank	Rc thread	●	●	●	●	●
N	NPT thread	●	●	●	●	●
G	G thread	●	●	●	●	●
D Option						
Blank		With manual drain cock				
Drain discharge *4, *5	F	Auto-drain with manual override (NC: Exhaust when not pressurized)				
	F1	Auto-drain with manual override (NC: No exhaust when not pressurized)				
	FF	Large auto-drain with manual override (NC: Exhaust when not pressurized)				
	FF1	Large auto-drain with manual override (NC: No exhaust when not pressurized)				
Bowl material	Blank	Polycarbonate bowl				
	Z	Nylon bowl				
	M	Metal bowl				
	M1	Metal bowl with manual drain cock				
Element	Blank	5 μm				
	Y	0.3 μm (submicron) *6				
Diff press detect	Blank	Without differential pressure detection port				
	Q	With differential pressure detection port (Rc 1/4)				
Pressure range	Blank	0.1 to 0.85 MPa				
	L	0.1 to 0.35 MPa *7				
Pressure relief	Blank	With relief mechanism				
	N	Non-relief				
Pressure gauge	Blank	With standard pressure gauge (G401-W)				
	T	No pressure gauge (gauge port (1/4) is assembled sealed)				
	T8	Pressure gauge ready (gauge port (1/4) is left open)				
	T6	Digital pressure sensor PPX attachment option *8				
	RN	Pressure switch with display PPR mounted (NPN output 1 point)				
Flow direction	Blank	Standard flow (left → right)				
	X1	Reverse flow (right → left)				
E Assembled components Pages 148 to 159, 268 and 269						
Blank		Without assembled component				
U		Assembled component *9				
Assembled component	S	Pressure switch (P1100-W, 4100-W, 8100-W)				
	P	Pressure switch (P4000-W)				
	V	Shut-off valve (V1000-W, 3000-W)				
	K	Shut-off valve with keyhole (V3010-W, V6010-W)				
F Display unit						
Blank		MPa display, Rc thread				
J1		MPa display, NPT, G thread				
G Pipe adaptor set (attachments) Page 271 *10						
Blank		Not attached				
A6*W		1/8 pipe adaptor set				
A8*W		1/4 pipe adaptor set				
A10*W		3/8 pipe adaptor set				
A15*W		1/2 pipe adaptor set				
A20*W		3/4 pipe adaptor set				
A25*W		1 pipe adaptor set				
A32*W		1 1/4 pipe adaptor set				
* Adaptor thread						
Blank		Rc thread				
N		NPT thread				
G		G thread				
H Pressure gauge option (attachments) Page 289 *11						
Blank		Not attached				
G45P		G45D-8-P10(L:G45D-8-P04)				
G49P		G49D-8-P10(L:G49D-8-P04)				
G59P		G59D-8-P10(L:G59D-8-P04)				
G40P		G40D-8-P10(L:G40D-8-P04)				
G52P		G52D-8-P10(L:G52D-8-P10)				
R2 *8		Digital pressure sensor: PPX-R10N-6M				

F.R.L

F (Filtr)

R (Reg)

L (Lub)

PresSW

Shutoff

SlowStart

FimResistFR

Oil-ProhR

MedPresFR

No Cu/PTFE FRL

Outdrs FR

F.R.L (Related)

CompFRL

LgFRL

PrecsR

VacF/R

Clean FR

ElecPneUR

AirBoost

SpdContr

Silncr

CheckV/other

Jnt/tube

AirUnt

PrecsCompn

Mech/ElecPresSw

ContactSW

AirSens

PresSW Cool

AirFloSens/Contr

WaterRISens

TotAirSys (Total Air)

TotAirSys (Gamma)

RefrDry

DesicDry

HiPolymDry

MainFiltr

Dischrg etc

Ending

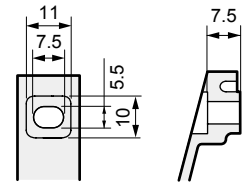
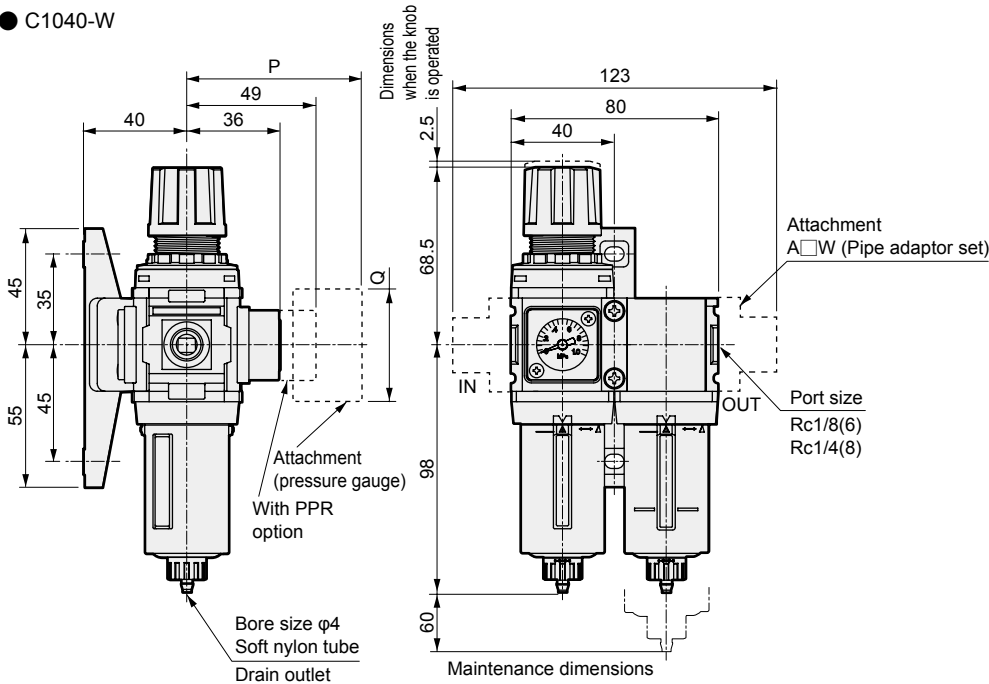
W.M. Combination



Dimensions

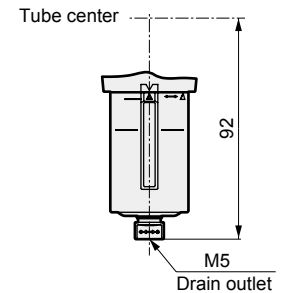
- F.R.L
- F (Filtr)
- R (Reg)
- L (Lub)
- PresSW
- Shutoff
- SlowStart
- FimResistFR
- Oil-ProhR
- MedPresFR
- No Cu/PTFE FRL
- Outdrs FR
- F.R.L (Related)
- CompFRL
- LgFRL
- PrecsR
- VacF/R
- Clean FR
- ElecPneuR
- AirBoost
- SpdContr
- Silncr
- CheckV/other
- Jnt/tube
- AirUnt
- PresCompn
- Mech/ElecPresSw
- ContactSW
- AirSens
- PresSW Cool
- AirFloSens/Contr
- WaterRtSens
- TotAirSys (Total Air)
- TotAirSys (Gamma)
- RefrDry
- DesicDry
- HiPolymDry
- MainFiltr
- Dischrg etc
- Ending

● C1040-W



Enlarged view of bracket section

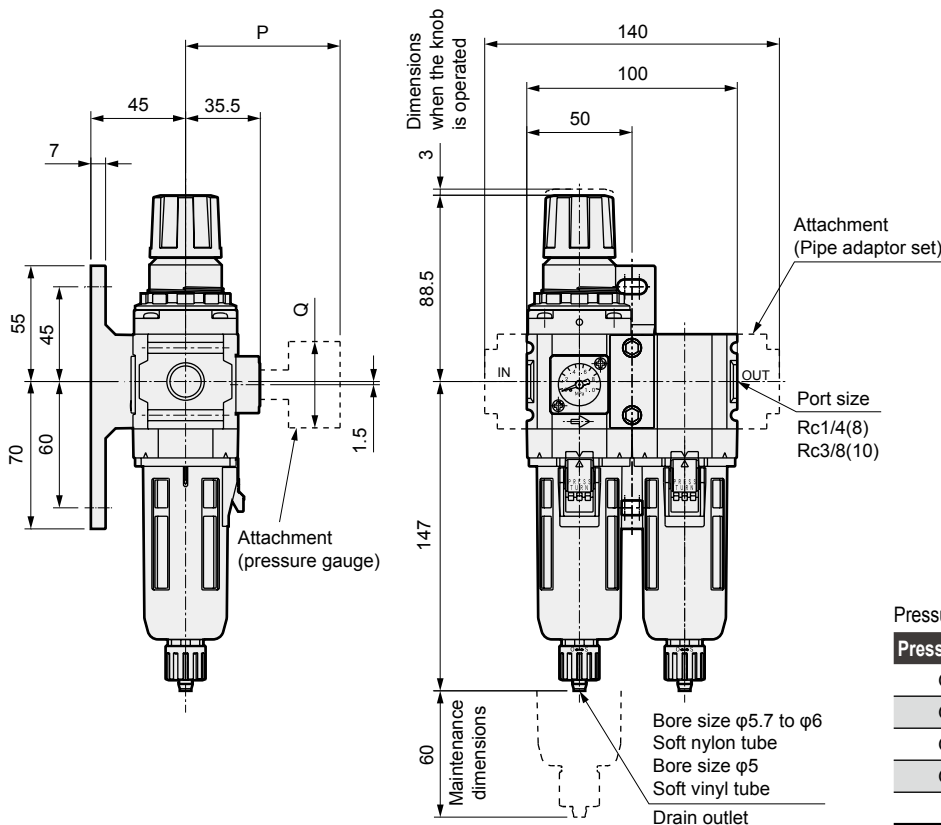
Optional dimensions With auto-drain (F1)



Pressure gauge attached optional dimensions table

Pressure gauge	P	Q
G45P	(74)	φ39
G49P	(73.5)	φ43.5
G59P	(76)	φ52
G40P	(75.5)	φ42.5
G52P	(86)	φ52.5
R2	(74)	□30

● C2040-W

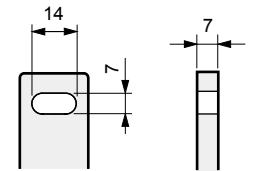
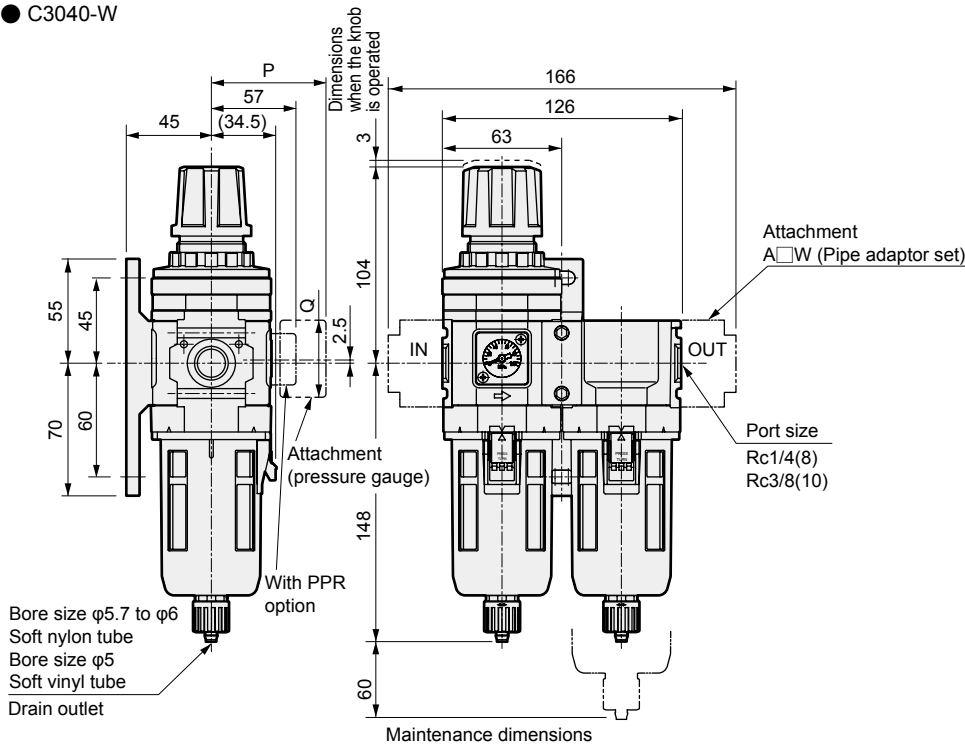


Pressure gauge attached optional dimensions table

Pressure gauge	P	Q
G45P	(73.5)	φ39
G49P	(73)	φ43.5
G40P	(75)	φ42.5
G52P	(85.5)	φ52.5
R2	(73)	□30

Dimensions

● C3040-W



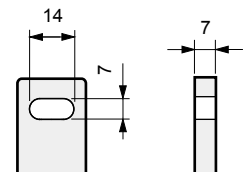
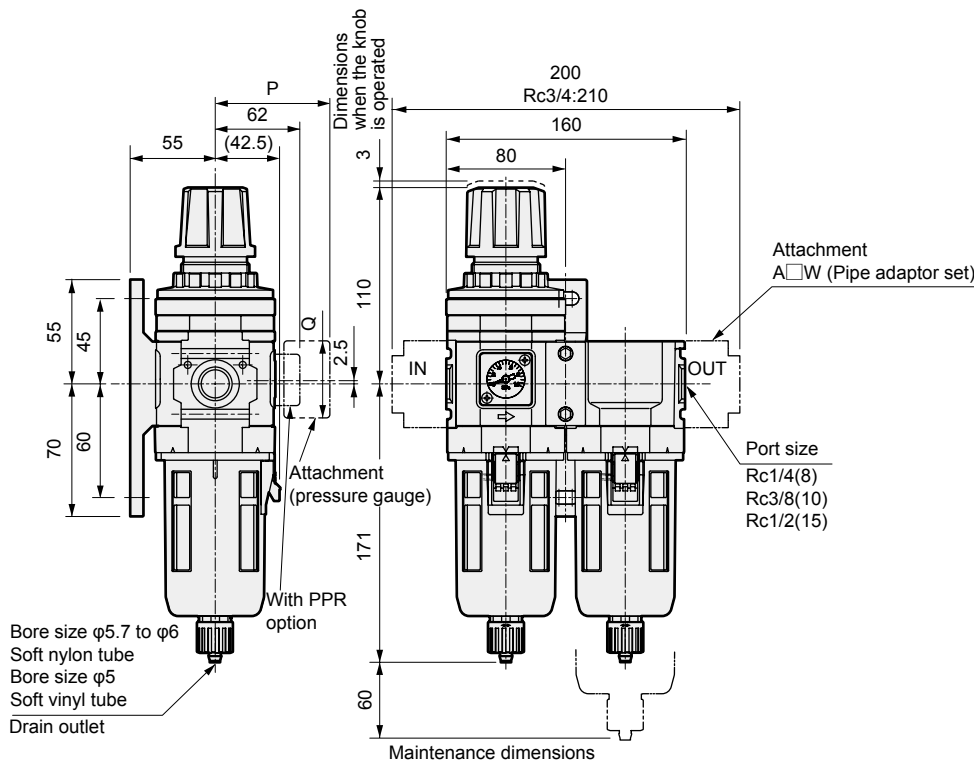
Enlarged view of bracket section

Pressure gauge attached optional dimensions table

Pressure gauge	P	Q
G45P	(70)	φ39
G49P	(69.5)	φ43.5
G59P	(72)	φ52
G40P	(71.5)	φ42.5
G52P	(82)	φ52.5
R2	(69.5)	□30

● Refer to page 86 for the dimensions of the metal bowl option filter/regulator and page 113 for the oil mist filter.

● C4040-W



Enlarged view of bracket section

Pressure gauge attached optional dimensions table

Pressure gauge	P	Q
G45P	(75)	φ39
G49P	(74.5)	φ43.5
G59P	(77)	φ52
G40P	(76.5)	φ42.5
G52P	(86)	φ52.5
R2	(75)	□30

● Refer to page 86 for the dimensions of the metal bowl option filter/regulator and page 113 for the oil mist filter.

F.R.L
F (Filtr)
R (Reg)
L (Lub)
PresSW
Shutoff
SlowStart
FimResistFR
Oil-ProhR
MedPresFR
No Cu/ PTFE FRL
Outdrs FR
F.R.L (Related)
CompFRL
LgFRL
PrecsR
VacF/R
Clean FR
ElecPneuR
AirBoost
SpdContr
Silncr
CheckV/ other
Jnt/tube
AirUnt
PrecsCompn
Mech/ ElecPresSw
ContactSW
AirSens
PresSW Cool
AirFloSens/ Contr
WaterRtSens
TotAirSys (Total Air)
TotAirSys (Gamma)
RefrDry
DesicDry
HiPolymDry
MainFiltr
Dischrg etc
Ending

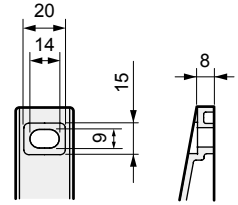
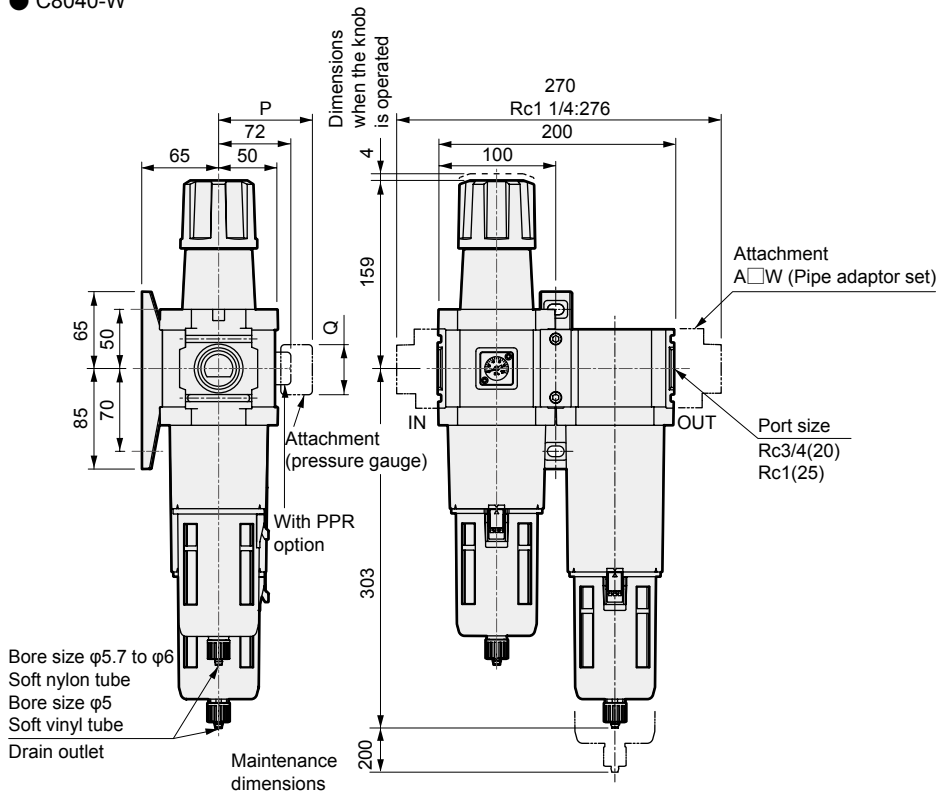
W.M. Combination



- F.R.L
- F (Filtr)
- R (Reg)
- L (Lub)
- PresSW
- Shutoff
- SlowStart
- FimResistFR
- Oil-ProhR
- MedPresFR
- No Cu/
PTFE FRL
- Outdrs FR
- F.R.L
(Related)
- CompFRL
- LgFRL
- PrecsR
- VacF/R
- Clean FR
- ElecPneuR
- AirBoost
- SpdContr
- Silncr
- CheckV/
other
- Jnt/tube
- AirUnt
- PrecsCompn
- Mech/
ElecPresSw
- ContactSW
- AirSens
- PresSW
Cool
- AirFloSens/
Contr
- WaterRtSens
- TotAirSys
(Total Air)
- TotAirSys
(Gamma)
- RefrDry
- DesicDry
- HiPolymDry
- MainFiltr
- Dischrg
etc
- Ending

Dimensions

● C8040-W



Enlarged view of bracket section

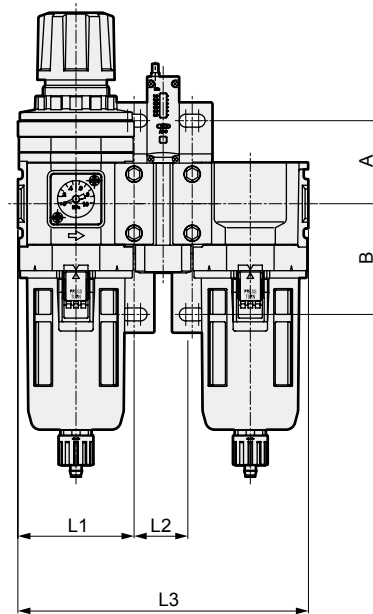
Pressure gauge attached optional dimensions table

Pressure gauge	P	Q
G45P	(85)	φ39
G49P	(84.5)	φ43.5
G59P	(87)	φ52
G40P	(86.5)	φ42.5
G52P	(98)	φ52.5
R2	(85)	□30

● Refer to page 86 for the dimensions of the metal bowl option filter/regulator and page 113 for the oil mist filter.

Option assembly dimensions

● C1040-W to C8040-W



Model No.	A	B
C1040-W	35	45
C2040-W	45	60
C3040-W		
C4040-W	50	70
C8040-W		

Assembled option Model No.	S			P			V			K			SV			SK			PV			PK		
	L1	L2	L3	L1	L2	L3	L1	L2	L3	L1	L2	L3	L1	L2	L3	L1	L2	L3	L1	L2	L3	L1	L2	L3
C1040-W	40	28	108	-	-	-	40	40	120	-	-	-	40	68	148	-	-	-	-	-	-	-	-	-
C2040-W	50	31.5	131.5	50	80	180	50	63	163	50	63	163	50	81.5	194.5	50	81.5	194.5	50	130	243	50	130	243
C3040-W	63	31.5	157.5	63	80	206	63	63	189	63	63	189	63	94.5	220.5	63	94.5	220.5	63	143	269	63	143	269
C4040-W	80	31.5	191.5	80	80	240	80	80	223	80	80	223	80	111.5	254.5	80	111.5	254.5	80	160	320	80	160	320
C4040-20-W ^{*1}	100	31.5	231.5	100	80	280	100	100	263	100	100	263	100	111.5	294.5	100	111.5	294.5	100	160	343	100	160	343
C8040-W	100	50	250	-	-	-	-	-	-	100	100	290	-	-	-	100	150	340	-	-	-	-	-	-

L1: Dimensions from the IN edge to center of the T type bracket mounting hole

L2: Spacing dimensions of the mounting hole from the first T type bracket to the second T type bracket

L3: Dimensions from the IN edge to the OUT edge

* Refer to page 267 for details on bracket mounting hole dimensions.

*1: The pipe adaptor is assembled on the OUT side.

As well, the pipe adaptor A400-20-W is assembled on both ends of C4040-20-W.

F.R.L

F (Filtr)

R (Reg)

L (Lub)

PresSW

Shutoff

SlowStart

FimResistFR

Oil-ProhR

MedPresFR

No Cu/
PTFE FRL

Outdrs FR

F.R.L
(Related)

CompFRL

LgFRL

PrecsR

VacF/R

Clean FR

ElecPneuR

AirBoost

SpdContr

Silncr

CheckV/
other

Jnt/tube

AirUnt

PrecsCompn

Mech/
ElecPresSw

ContactSW

AirSens

PresSW
Cool

AirFloSens/
Contr

WaterRtSens

TotAirSys
(Total Air)

TotAirSys
(Gamma)

RefrDry

DesicDry

HiPolymDry

MainFiltr

Dischrg
etc

Ending



R.M. combination Standard White Series

C1050/C2050/C2550 C3050/C4050/C6050/C8050-W Series

Integrated regulator and oil mist filter

● Port size: 1/8 to 1

JIS symbol



Specifications

1 MPa ≈ 145.0 psi, 1 MPa = 10 bar

Descriptions		C1050-W	C2050-W	C2550-W	C3050-W	C4050-W	C6050-W	C8050-W
Appearance								
Comps	Regulator	R1000-W	R2000-W	R2000-W	R3000-W	R4000-W	R6000-W	R8000-W
	Oil mist filter	M1000-W	M2000-W	M3000-W	M3000-W	M4000-W	M6000-W	M8000-W
Working fluid		Compressed air						
Max. working pressure MPa		1.0 (≈150 psi, 10 bar) *3						
Proof pressure MPa		1.5 (≈220 psi, 15 bar)						
Ambient / fluid temperatures °C		5 (41°F) to 60 (140°F) *2						
Set pressure MPa		0.1 to 0.85 *3	0.1 (≈15 psi, 1 bar) to 0.85 (≈120 psi, 8.5 bar) *4					
Pressure relief		With relief mechanism						
Port size Rc,NPT,G		1/8,1/4 (3/8 uses an adaptor)	1/4,3/8 (1/2 uses an adaptor)	1/4,3/8 (1/2 uses an adaptor)	1/4,3/8 (1/2 uses an adaptor)	1/4,3/8,1/2 (3/4 uses an adaptor)	3/4,1 (1 1/4 uses an adaptor)	3/4,1 (1 1/4 uses an adaptor)
Weight kg		0.29	0.65	0.66	0.82	1.32	2.12	3.12
Secondary oil concentration		0.01 mg/m ³ or less (0.1 mg/m ³ or less after oil saturation)						
Max. flow rate (*1) m ³ /min		0.15	0.25	0.36	0.36	0.825	1.27	2.6

*1: Max. flow rate is for the regulator set pressure 0.7 MPa.

*2: The ambient / fluid temperatures for "RN" or "RP" (pressure switch with display PPR is mounted) and "R2" (digital pressure sensor PPX is attached) is 5 to 50°C.

*3: When using C1050-W Series "F1" with auto-drain, the min. working pressure is 0.2 MPa and max. working pressure is 0.7 MPa. Refer to the max. working flow rate table (page 108) for M1000-W-F1 auto-drain for the max. working flow rate. Set the working flow rate to less than or equal to the max. working flow rate.

*4: The supply air pressure is 0.2 MPa and over with a min. set pressure of 0.15 MPa.

*5: Refer to page 106 for details on other oil mist filters.

Option weight

* Add to the weight of the standard accessories.

Unit: kg

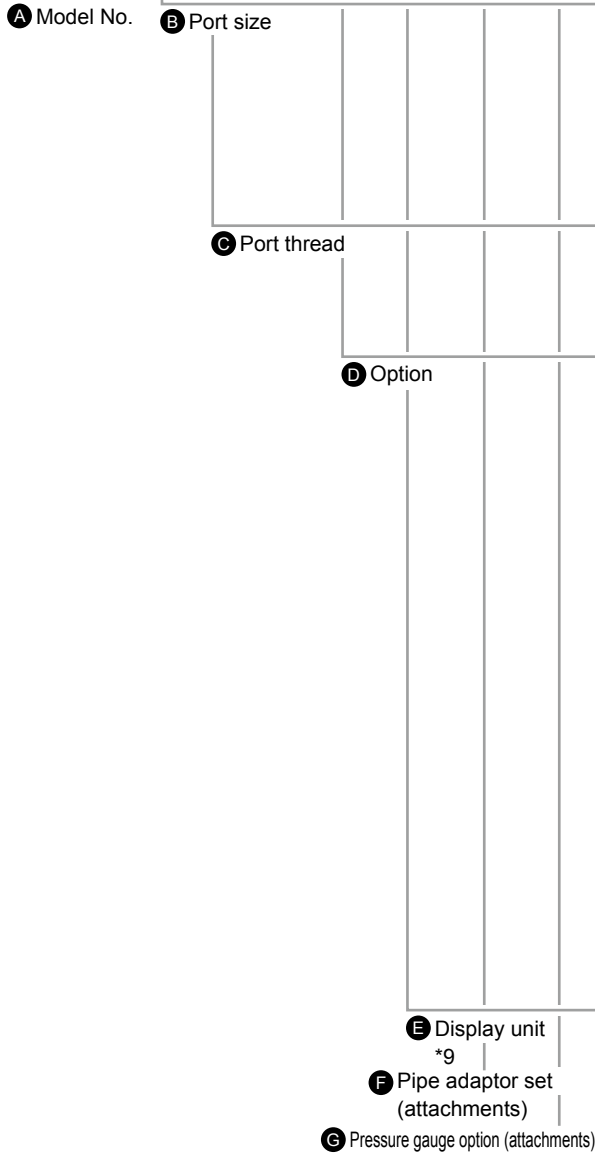
Code	Drain discharge				Bowl material		Pressure gauge		Pipe adaptor set			
	F	F1	FF	FF1	M	M1	T*	RN/RP	A6*W	A8*W	A10*W	A15*W
C1050		0.007					0	0.04	0.09	0.09	0.09	
C2050		0.02				0.1	0	0.04		0.16	0.16	0.16
C2550		0.02			0.1	0.1	0	0.04		0.16	0.16	0.16
C3050	0.02	0.02			0.1	0.1	0	0.04		0.16	0.16	0.16
C4050	0.02	0.02			0.1	0.1	0	0.04		0.16	0.16	0.16
C6050	0.02	0.02			0.1	0.1	0	0.04				
C8050	0.02	0.02	0.02	0.02	0.1	0.1	0	0.04				

Code	Pipe adaptor set			Pressure gauge					
	A20*W	A25*W	A32*W	G45P	G49P	G59P	G40P	G52P	R2
C1050				0.074	0.086	0.115	0.085	0.15	0.04
C2050				0.074	0.086		0.085	0.15	0.04
C2550				0.074	0.086	0.115	0.085	0.15	0.04
C3050				0.074	0.086	0.115	0.085	0.15	0.04
C4050	0.16			0.074	0.086	0.115	0.085	0.15	0.04
C6050	0.53	0.53	0.53	0.074	0.086	0.115	0.085	0.15	0.04
C8050	0.53	0.53	0.53	0.074	0.086	0.115	0.085	0.15	0.04

R.M. Combination

How to order

How to order



* Refer to page 28 for the explanation of the option.

A Model No.					
C1050	C2050	C2550	C3050	C4050	C6050
B Port size					
●					
●	●				
	●	●			
		●	●		
			●	●	
				●	●
					●
					●
C Port thread *2					
●	●	●	●	●	●
●	●	●	●	●	●
●	●	●	●	●	●
D Option *3					
●	Blank	Filter with manual drain cock	●	●	●
	F1	Auto-drain, man OVRD (NC: no press→no exhaust)	●	●	●
●	Blank	Polycarbonate bowl	●	●	●
	Z	Nylon bowl	●	●	●
	M	Metal bowl		●	●
	M1	Metal bowl with manual drain cock		●	●
●	Blank	Without differential pressure detection port	●	●	●
	Q	With differential pressure detection port (Rc 1/4)			●
●	Blank	0.1 to 0.85 MPa	●	●	●
	L	0.1 to 0.35 MPa *5	●	●	●
●	Blank	With relief mechanism	●	●	●
	N	Non-relief	●	●	●
●	Blank	With standard pressure gauge (G401-W)	●	●	●
	T	No pressure gauge (gauge port (1/4) is assembled sealed)	●	●	●
	T8	Pressure gauge ready (gauge port (1/4) is left open)	●	●	●
	T6	Digital pressure sensor PPX attachment option *6	●	●	●
	RN	Pressure switch with display PPR mounted (NPN output 1 point)	●	●	●
●	RP	Pressure switch with display PPR mounted (PNP output 1 point)	●	●	●
●	Blank	Standard flow (left → right)	●	●	●
	X1	Reverse flow (right → left)	●	●	●
E Display unit *9					
●	Blank	MPa display, Rc thread	●	●	●
●	J1	MPa display, NPT, G thread	●	●	●
F Pipe adaptor set (attachments) Page 270 *7					
●	Blank	Not attached	●	●	●
●	A6*W	1/8 pipe adaptor set			
●	A8*W	1/4 pipe adaptor set			
●	A10*W	3/8 pipe adaptor set			
●	A15*W	1/2 pipe adaptor set			
	A20*W	3/4 pipe adaptor set		●	●
	A25*W	1 pipe adaptor set			●
	A32*W	1 1/4 pipe adaptor set			●
* Adaptor thread					
●	Blank	Rc thread	●	●	●
●	N	NPT thread	●	●	●
●	G	G thread	●	●	●
G Pressure gauge option (attachments) Page 289 *8					
●	Blank	Not attached	●	●	●
●	G45P	G45D-8-P10(L:G45D-8-P04)	●	●	●
●	G49P	G49D-8-P10(L:G49D-8-P04)	●	●	●
●	G59P	G59D-8-P10(L:G59D-8-P04)	●	●	●
●	G40P	G40D-8-P10(L:G40D-8-P04)	●	●	●
●	G52P	G52D-8-P10(L:G52D-8-P10)	●	●	●
●	R2 *6	Digital pressure sensor: PPX-R10N-6M	●	●	●

F.R.L
F (Filtr)
R (Reg)
L (Lub)
PresSW
Shutoff
SlowStart
FmResistFR
Oil-ProhR
MedPresFR
No Cu/PTFE FRL
Outdrs FR
F.R.L (Related)
CompFRL
LgFRL
PrecsR
VacF/R
Clean FR
ElecPneuR
AirBoost
SpdContr
Silncr
CheckV/other
Jnt/tube
AirUnt
PrecsCompn
Mech/ElecPresSw
ContactSW
AirSens
PresSW Cool
AirFloSens/Contr
WaterRISens
TotAirSys (Total Air)
TotAirSys (Gamma)
RefrDry
DesicDry
HiPolymDry
MainFiltr
Dischrg etc
Ending

⚠ Precautions for model No. selection

- *1: Pipe adaptor A400-20*-W is assembled on both ends of C4050-20*-W. A20*W does not need to be selected for the pipe adaptor set.
- *2: G threads and NPT threads are available for IN, OUT, gauge port and drain outlet (metal bowl with auto-drain).
- *3: Select options for the drainage, bowl material, element, differential pressure detection and regulator. When selecting options for several items, list options in order from the top.
- *4: Refer to page 280 for the auto-drain usage conditions.
- *5: The pressure gauge indication range of option "L" is 0 to 0.4 MPa.
- *6: When option "T6" is selected, only "Blank" or "R2" can be selected for **G** Pressure gauge (attachment). The digital pressure sensor PPX mounting port (Rc1/8) is left open.
- *7: The joiner set is enclosed with the pipe adaptor set.
- *8: If NPT is selected for **C** Port thread, an NPT pressure gauge is supplied. If Rc or G thread is selected, an R thread pressure gauge is supplied.
- *9: Display unit options when selecting NPT threads: If Blank is selected, the pressure unit is psi and the temperature display unit is °F. When G thread and Blank display unit option are selected, the pressure unit will be bar and the temperature display unit will be °C. When NPT/G thread and "J1" display unit option are selected, the pressure unit will be MPa and the temperature display unit will be °C.

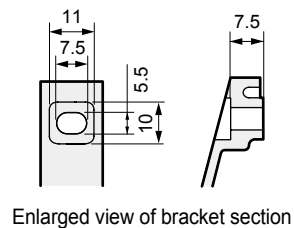
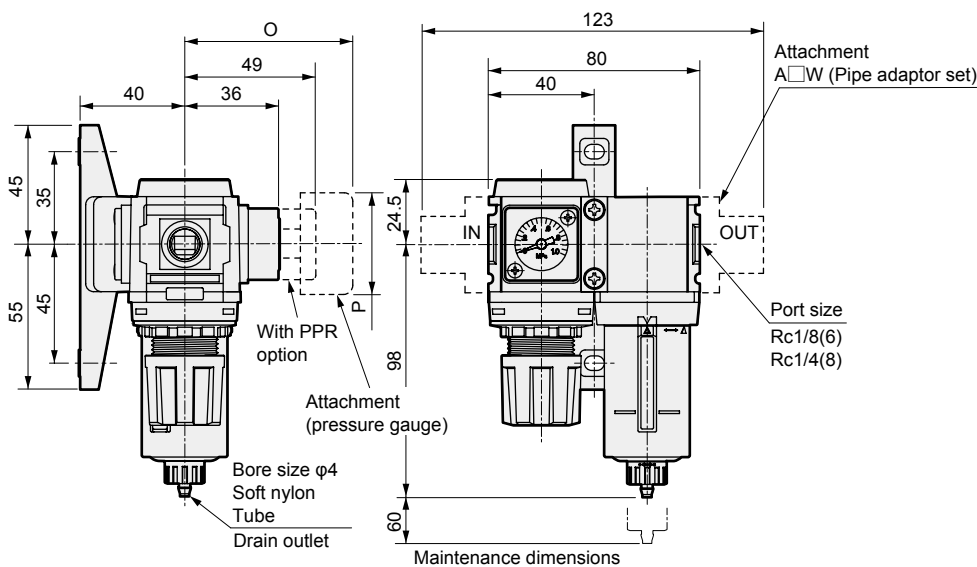
R.M. Combination



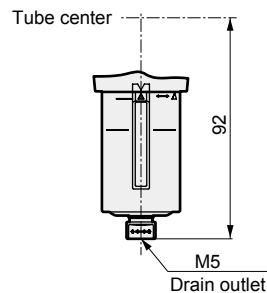
Dimensions

- F.R.L
- F (Filtr)
- R (Reg)
- L (Lub)
- PresSW
- Shutoff
- SlowStart
- FimResistFR
- Oil-ProhR
- MedPresFR
- No Cu/PTFE FRL
- Outdrs FR
- F.R.L (Related)
- CompFRL
- LgFRL
- PrecsR
- VacF/R
- Clean FR
- ElecPneur
- AirBoost
- SpdContr
- Silncr
- CheckV/other
- Jnt/tube
- AirUnt
- PrecsCompn
- Mech/ElecPresSw
- ContactSW
- AirSens
- PresSW Cool
- AirFloSens/Contr
- WaterRtSens
- TotAirSys (Total Air)
- TotAirSys (Gamma)
- RefrDry
- DesicDry
- HiPolymDry
- MainFiltr
- Dischrg etc
- Ending

● C1050-W



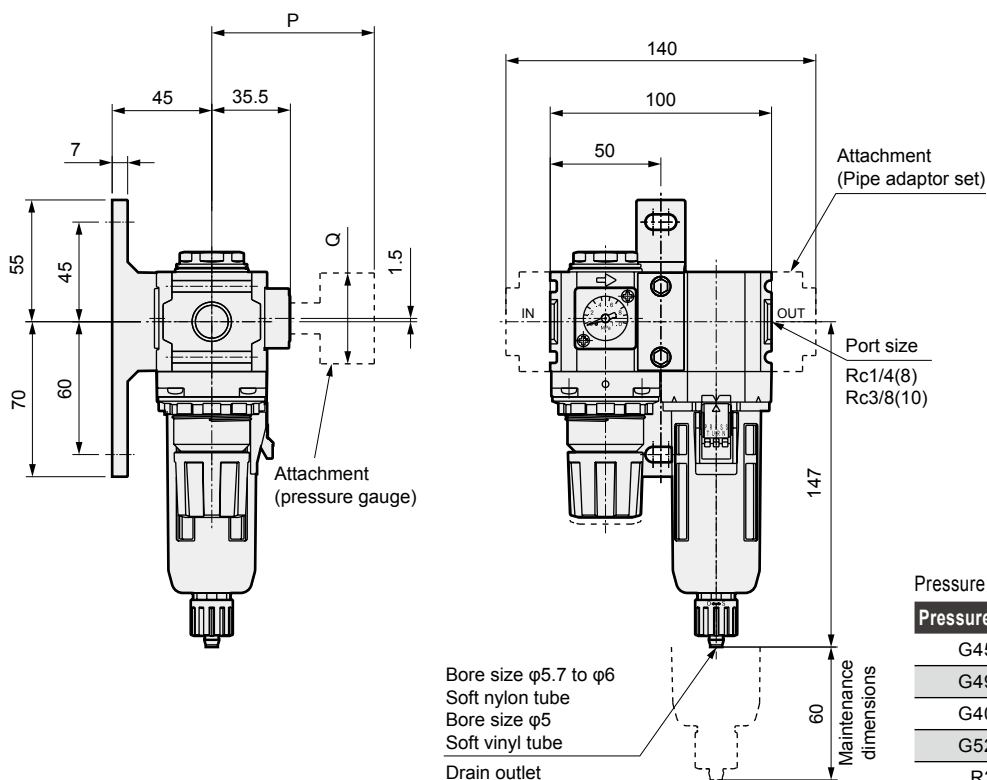
Optional dimensions
With auto-drain (F1)



Pressure gauge attached optional dimensions table

Pressure gauge	O	P
G45P	(74)	φ39
G49P	(73.5)	φ43.5
G59P	(76)	φ52
G40P	(75.5)	φ42.5
G52P	(86)	φ52.5
R2	(74)	□30

● C2050-W



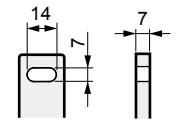
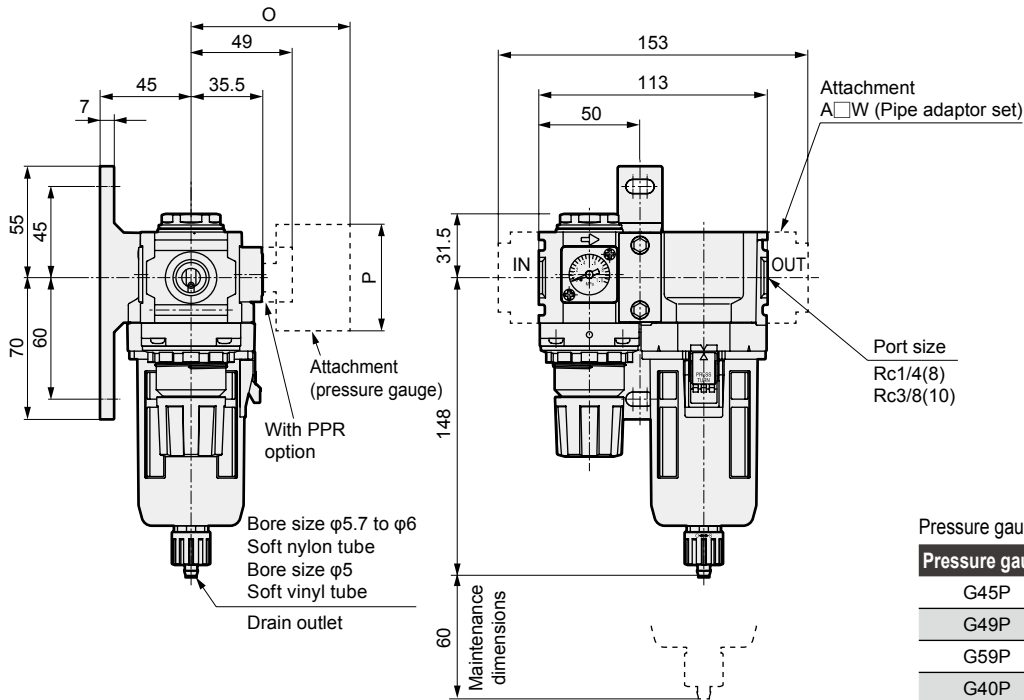
Pressure gauge attached optional dimensions table

Pressure gauge	P	Q
G45P	(73.5)	φ39
G49P	(73)	φ43.5
G40P	(75)	φ42.5
G52P	(85.5)	φ52.5
R2	(73)	□30

Dimensions



● C2550-W

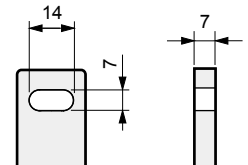
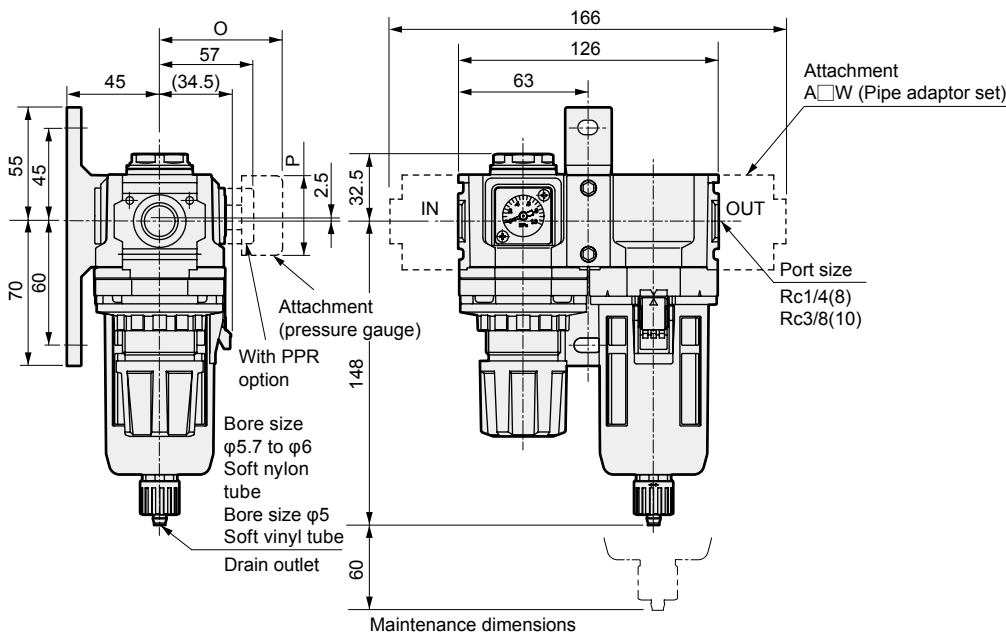


Dimensions of bracket section

Pressure gauge attached optional dimensions table

Pressure gauge	O	P
G45P	(73.5)	φ39
G49P	(73)	φ43.5
G59P	(75.5)	φ52
G40P	(75)	φ42.5
G52P	(85.5)	φ52.5
R2	(73)	□30

● C3050-W



Enlarged view of bracket section

Pressure gauge attached optional dimensions table

Pressure gauge	O	P
G45P	(70)	φ39
G49P	(69.5)	φ43.5
G59P	(72)	φ52
G40P	(71.5)	φ42.5
G52P	(82)	φ52.5
R2	(69.5)	□30

● Refer to page 113 for the optional dimensions of the metal bowl.

- F (Filtr)
- R (Reg)
- L (Lub)
- PresSW
- Shutoff
- SlowStart
- FimResistFR
- Oil-ProhR
- MedPresFR
- No Cu/ PTFE FRL
- Outdrs FR
- F.R.L (Related)
- CompFRL
- LgFRL
- PrescR
- VacF/R
- Clean FR
- ElecPneuR
- AirBoost
- SpdContr
- Silncr
- CheckV/ other
- Jnt/tube
- AirUnt
- PresCompn
- Mech/ ElecPresSw
- ContactSW
- AirSens
- PresSW Cool
- AirFloSens/ Contr
- WaterRISens
- TotAirSys (Total Air)
- TotAirSys (Gamma)
- RefrDry
- DesicDry
- HiPolymDry
- MainFiltr
- Dischrg etc
- Ending

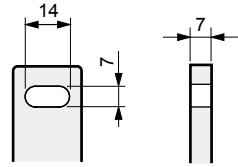
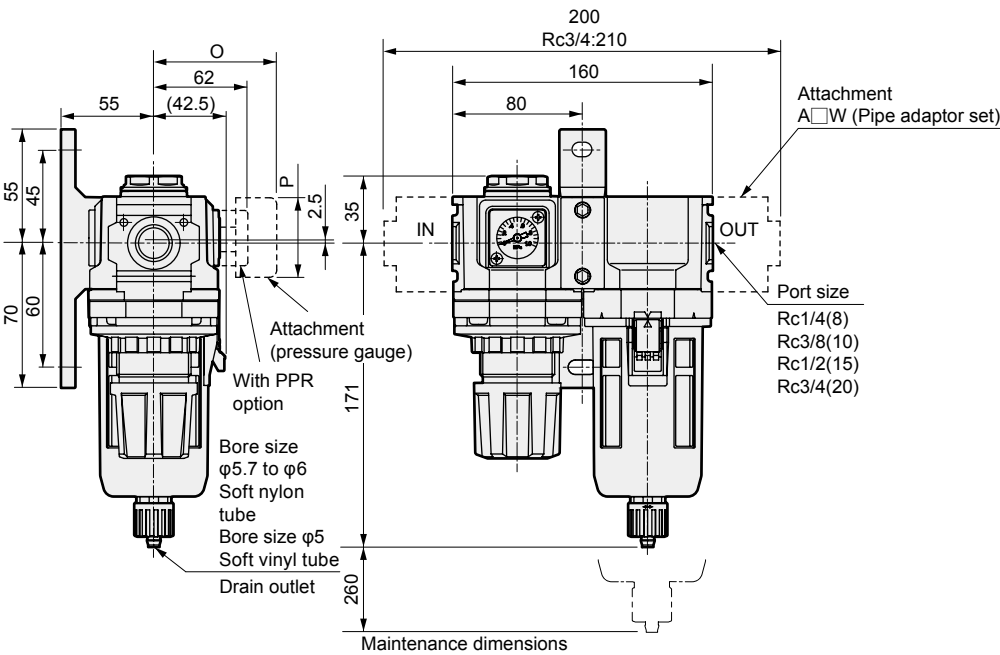
R.M. Combination



- F.R.L
- F (Filtr)
- R (Reg)
- L (Lub)
- PresSW
- Shutoff
- SlowStart
- FimResistFR
- Oil-ProHR
- MedPresFR
- No Cu/PTFE FRL
- Outdrs FR
- F.R.L (Related)
- CompFRL
- LgFRL
- PrecsR
- VacF/R
- Clean FR
- ElecPneuR
- AirBoost
- SpdContr
- Silncr
- CheckV/other
- Jnt/tube
- AirUnt
- PrecsCompn
- Mech/ElecPresSw
- ContactSW
- AirSens
- PresSW Cool
- AirFloSens/Contr
- WaterRtSens
- TotAirSys (Total Air)
- TotAirSys (Gamma)
- RefrDry
- DesicDry
- HiPolymDry
- MainFiltr
- Dischrg etc
- Ending

Dimensions

● C4050-W



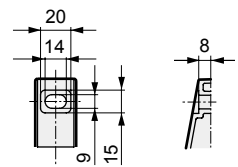
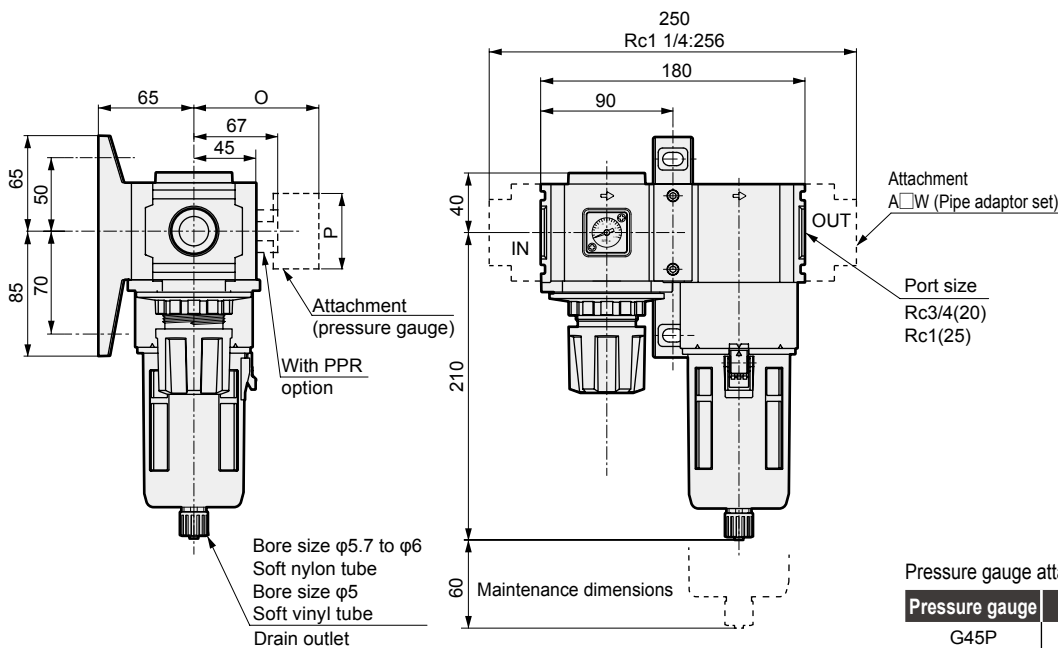
Enlarged view of bracket section

Pressure gauge attached optional dimensions table

Pressure gauge	O	P
G45P	(75)	$\phi 39$
G49P	(74.5)	$\phi 43.5$
G59P	(77)	$\phi 52$
G40P	(76.5)	$\phi 42.5$
G52P	(86)	$\phi 52.5$
R2	(75)	$\square 30$

● Refer to page 113 for the optional dimensions of the metal bowl.

● C6050-W



Enlarged view of bracket section

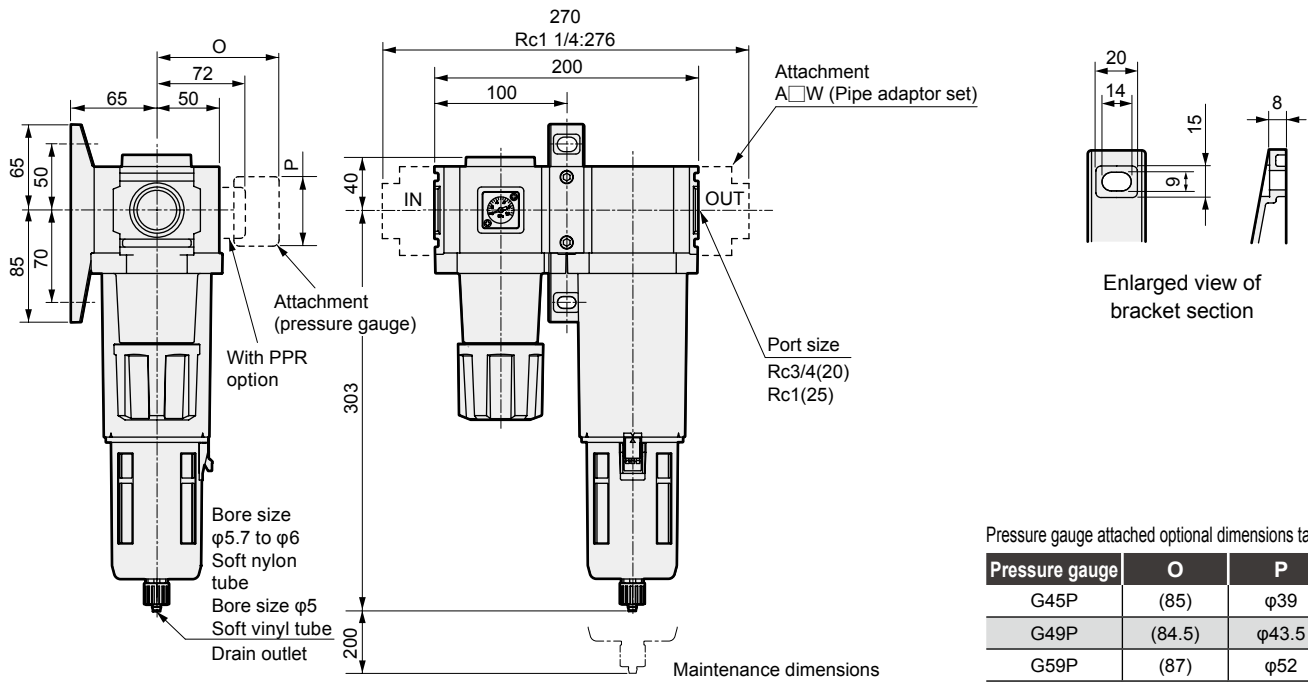
Pressure gauge attached optional dimensions table

Pressure gauge	O	P
G45P	(80)	$\phi 39$
G49P	(79.5)	$\phi 43.5$
G59P	(82)	$\phi 52$
G40P	(81.5)	$\phi 42.5$
G52P	(93)	$\phi 52.5$
R2	(80)	$\square 30$

Dimensions



● C8050-W



Pressure gauge attached optional dimensions table

Pressure gauge	O	P
G45P	(85)	$\phi 39$
G49P	(84.5)	$\phi 43.5$
G59P	(87)	$\phi 52$
G40P	(86.5)	$\phi 42.5$
G52P	(98)	$\phi 52.5$
R2	(85)	$\square 30$

● Refer to page 113 for the optional dimensions of the metal bowl.

- F.R.L
- F (Filtr)
- R (Reg)
- L (Lub)
- PresSW
- Shutoff
- SlowStart
- FimResistFR
- Oil-ProhR
- MedPresFR
- No Cu/PTFE FRL
- Outdrs FR
- F.R.L (Related)
- CompFRL
- LgFRL
- PrecsR
- VacF/R
- Clean FR
- ElecPneuR
- AirBoost
- SpdContr
- Silncr
- CheckV/other
- Jnt/tube
- AirUnt
- PresCompn
- Mech/ElecPresSw
- ContactSW
- AirSens
- PresSW Cool
- AirFloSens/Contr
- WaterRtSens
- TotAirSys (Total Air)
- TotAirSys (Gamma)
- RefrDry
- DesicDry
- HiPolymDry
- MainFiltr
- Dischrg etc
- Ending



F.M. combination Standard White Series

C1060/C2060/C3060/ C4060/C6060/C8060-W Series

Filter and oil mist filter integrated.

● Port size: 1/8 to 1

JIS symbol



Specifications

Descriptions		C1060-W	C2060-W	C3060-W	C4060-W	C6060-W	C8060-W
Appearance							
Comps	Filter	F1000-W	F2000-W	F3000-W	F4000-W	F6000-W	F8000-W
	Oil mist filter	M1000-W	M2000-W	M3000-W	M4000-W	M6000-W	M8000-W
Working fluid		Compressed air					
Max. working pressure MPa		1.0 (≈150 psi, 10 bar) *3, 4, 5					
Proof pressure MPa		1.5 (≈220 psi, 15 bar) *3					
Ambient / fluid temperatures °C		5 (41°F) to 60 (140°F)					
Port size Rc,NPT,G		1/8, 1/4 (3/8 uses an adaptor)	1/4, 3/8 (1/2 uses an adaptor)	1/4, 3/8 (1/2 uses an adaptor)	1/4, 3/8, 1/2 (3/4 uses an adaptor)	3/4, 1 (1 1/4 uses an adaptor)	3/4, 1 (1 1/4 uses an adaptor)
Weight kg		0.22	0.58	0.62	1.06	2.02	2.68
Secondary oil concentration		0.01 mg/m ³ or less (0.1 mg/m ³ or less after oil saturation)					
Max. flow rate (*1, *2) m ³ /min		0.15 *3	0.25	0.36	0.825	1.27	2.6

*1: The max. flow is for a primary pressure of 0.7 MPa.

*2: When element option "Y" is selected, refer to page 98 for max. flow rate. The working flow must be less than the max. working flow.

*3: When "F1" with auto-drain is selected, the NC auto-drain is provided with both the filter and oil mist filter. The min. working pressure is 0.2 MPa, the max. working pressure is 0.7 MPa and the proof pressure is 1.05 MPa. For the max. working flow rate, refer to the max. working processing flow rate table of M1000-W-F1 with auto-drain (page 108). The working flow must be less than the max. working flow.

*4: In the case of "F" with auto-drain, the supply air pressure is 0.15 MPa or more. For the air filter auto-drain, air is purged with the initial drainage until pressure reaches 0.1 MPa.

*5: In the case of "F1" with auto-drain, the required supply air pressure is 0.15 MPa or more.

*6: Refer to page 106 for details on other oil mist filters.

Option weight

* Add to the weight of the standard accessories.

Unit: kg

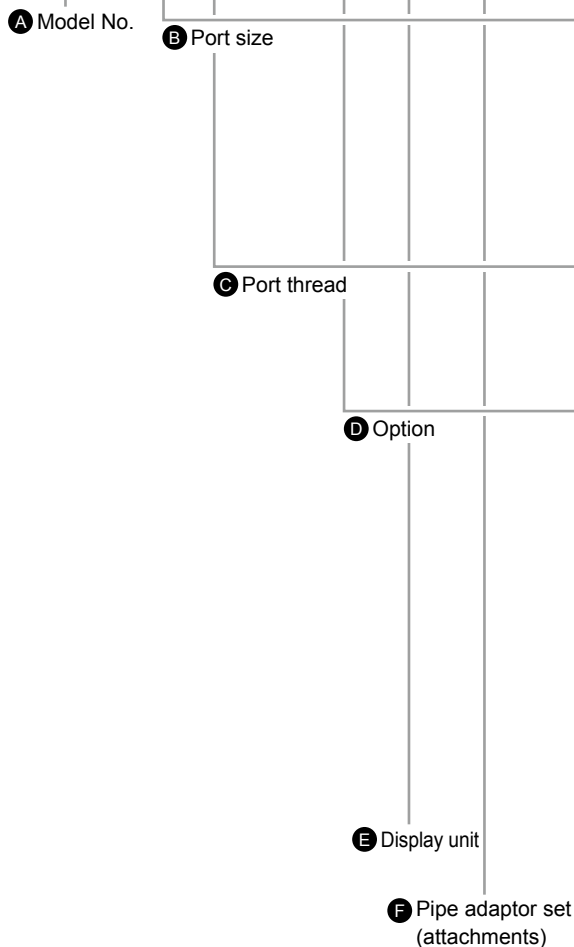
Code	Drain discharge				Bowl material		Pipe adaptor set						
	F	F1	FF	FF1	M	M1	A6*W	A8*W	A10*W	A15*W	A20*W	A25*W	A32*W
C1060		0.014					0.09	0.09	0.09				
C2060		0.04				0.2		0.16	0.16	0.16			
C3060	0.04	0.04			0.2	0.2		0.16	0.16	0.16			
C4060	0.04	0.04			0.2	0.2		0.16	0.16	0.16			
C6060	0.04	0.04			0.2	0.2					0.53	0.53	0.53
C8060	0.04	0.04	0.04	0.04	0.2	0.2					0.53	0.53	0.53

F.M. Combination

How to order

How to order

C1060 - **6** - **W** - **Z** - **A6W**



* Refer to page 28 for the explanation of the option.

		A Model No.						F.R.L	
		C1060	C2060	C3060	C4060	C6060	C8060	F (Filtr)	
Code		Content						R (Reg)	
B Port size								L (Lub)	
6	1/8	●						PresSW	
8	1/4	●	●	●	●			Shutoff	
10	3/8		●	●	●			SlowStart	
15	1/2				●			FimResistFR	
20	3/4				●	●		Oil-ProhR	
25	1					●	●	MedPresFR	
C Port thread		*2						No Cu/ PTFE FRL	
Blank	Rc thread	●	●	●	●	●	●	Outdrs FR	
N	NPT thread	●	●	●	●	●	●	F.R.L (Related)	
G	G thread	●	●	●	●	●	●	CompFRL	
D Option		*3						LgFRL	
Drain discharge	Blank	With manual drain cock						●	PrescR
	F	Auto-drain, man OVRD (NO: no press→Exhaust)							VacF/R
	F1	Auto-drain, man OVRD (NC: no press→no exhaust)						●	Clean FR
	FF	Large auto-drain, man OVRD (NO: no press→Exhaust)							ElecPneuR
	FF1	Large auto-drain, man OVRD (NC: no press→no exhaust)							AirBoost
Bowl material	Blank	Polycarbonate bowl						●	SpdContr
	Z	Nylon bowl						●	Silncr
	M	Metal bowl							CheckV/ other
	M1	Metal bowl with manual drain cock						●	Jnt/tube
Element	Blank	5 µm						●	AirUnt
	Y	0.3 µm (submicron) *6							PrescCompn
Diff press detect	Blank	Without differential pressure detection port						●	Mech/ ElecPresSw
	Q	With differential pressure detection port (Rc 1/4)							ContactSW
Flow direction	Blank	Standard flow (left → right)						●	AirSens
	X1	Reverse flow (right → left)						●	PresSW Cool
E Display unit		Page 270 *7						●	AirFloSens/ Contr
Blank	MPa display, Rc thread	●	●	●	●	●	●	WaterRtSens	
J1	MPa display, NPT, G thread	●	●	●	●	●	●	TotAirSys (Total Air)	
F Pipe adaptor set (attachments)		*7						●	TotAirSys (Gamma)
Blank	Not attached	●	●	●	●	●	●	RefrDry	
A6*W	1/8 pipe adaptor set	●						DesicDry	
A8*W	1/4 pipe adaptor set	●	●	●	●			HiPolymDry	
A10*W	3/8 pipe adaptor set	●	●	●	●			MainFiltr	
A15*W	1/2 pipe adaptor set		●	●	●			Dischrg etc	
A20*W	3/4 pipe adaptor set					●	●	Ending	
A25*W	1 pipe adaptor set					●	●		
A32*W	1 1/4 pipe adaptor set					●	●		
* Adaptor thread								●	
Blank	Rc thread	●	●	●	●	●	●		
N	NPT thread	●	●	●	●	●	●		
G	G thread	●	●	●	●	●	●		

⚠ Precautions for model No. selection

- *1: Pipe adaptor A400-20*W is assembled on both ends of C4060-20*W. A20*W does not need to be selected for the pipe adaptor set.
- *2: G threads and NPT threads are available for IN, OUT and drain outlet (metal bowl with auto-drain).
- *3: Select options for the drainage, bowl material, element and differential pressure detection. When selecting options for several items, list options in order from the top.
- *4: Refer to page 280 for the auto-drain usage conditions.
- *5: When option code "F" is selected, the NO auto-drain is supplied with the air filter and the NC auto-drain is supplied with the oil mist filter. When option code "F1" is selected, the NC auto-drain is included with the air filter and oil mist filter. For "FF" and "FF1", only the filter has a large discharge rate. The oil mist filter is normal NC auto-drain.
- *6: Refer to page 98 for max. processing flow rate when option "Y" is selected.
- *7: The joiner set is enclosed with the pipe adaptor set.

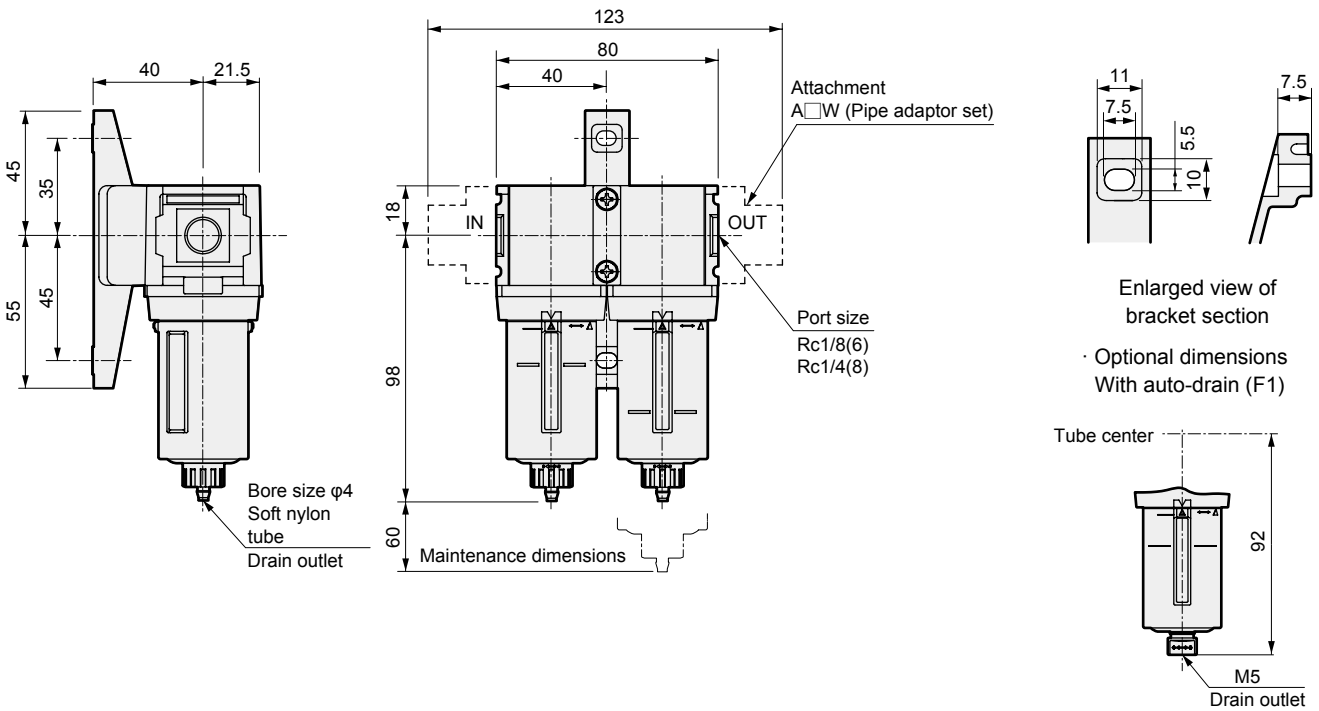
F.M. Combination



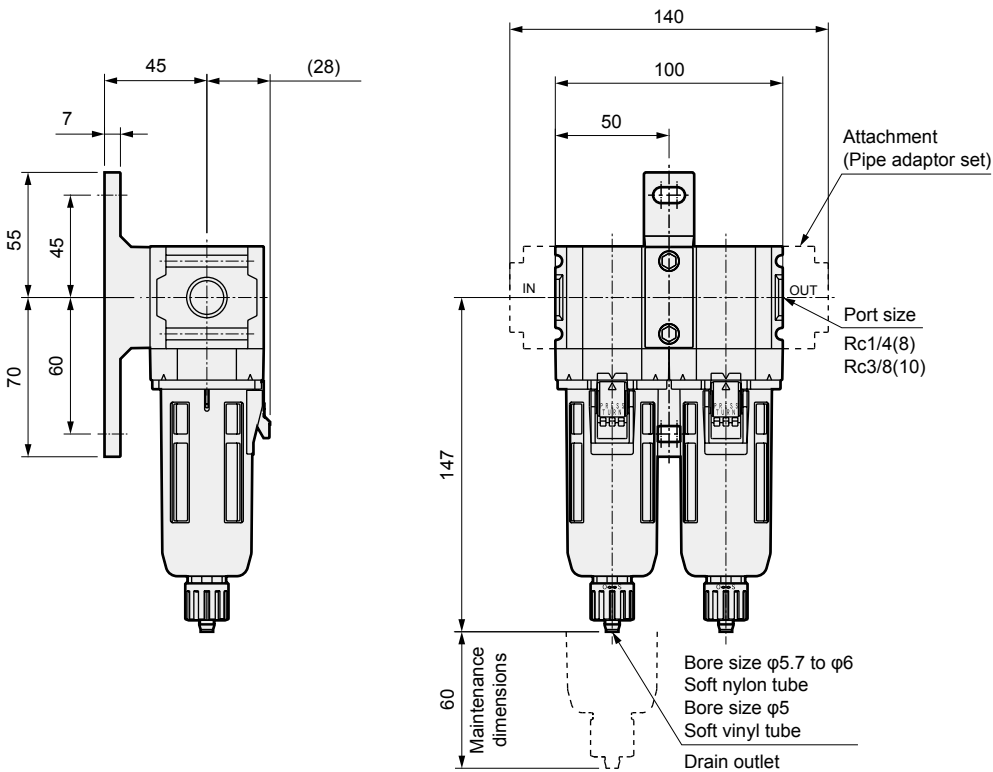
F.R.L Dimensions

- F (Filtr)
- R (Reg)
- L (Lub)
- PresSW
- Shutoff
- SlowStart
- FimResistFR
- Oil-ProhR
- MedPresFR
- No Cu/
PTFE FRL
- Outdrs FR
- F.R.L
(Related)
- CompFRL
- LgFRL
- PrecsR
- VacF/R
- Clean FR
- ElecPneuR
- AirBoost
- SpdContr
- Silncr
- CheckV/
other
- Jnt/tube
- AirUnt
- PrecsCompn
- Mech/
ElecPresSw
- ContactSW
- AirSens
- PresSW
Cool
- AirFloSens/
Contr
- WaterRtSens
- TotAirSys
(Total Air)
- TotAirSys
(Gamma)
- RefrDry
- DesicDry
- HiPolymDry
- MainFiltr
- Dischrg
etc
- Ending

● C1060-W

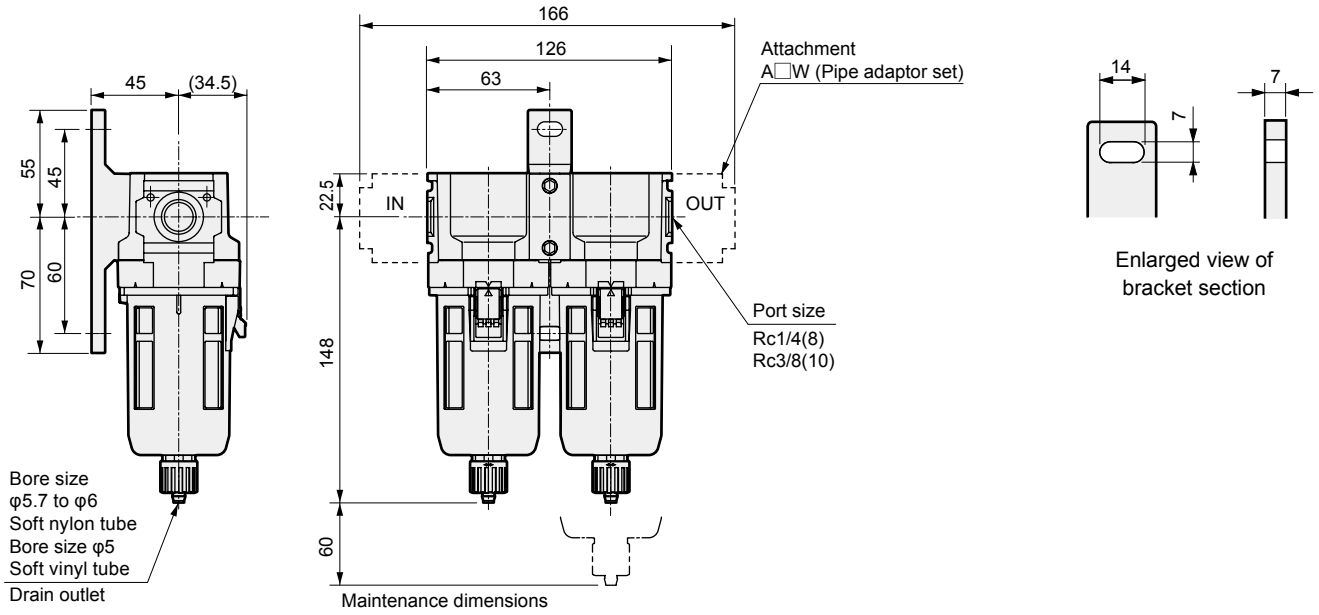


● C2060-W



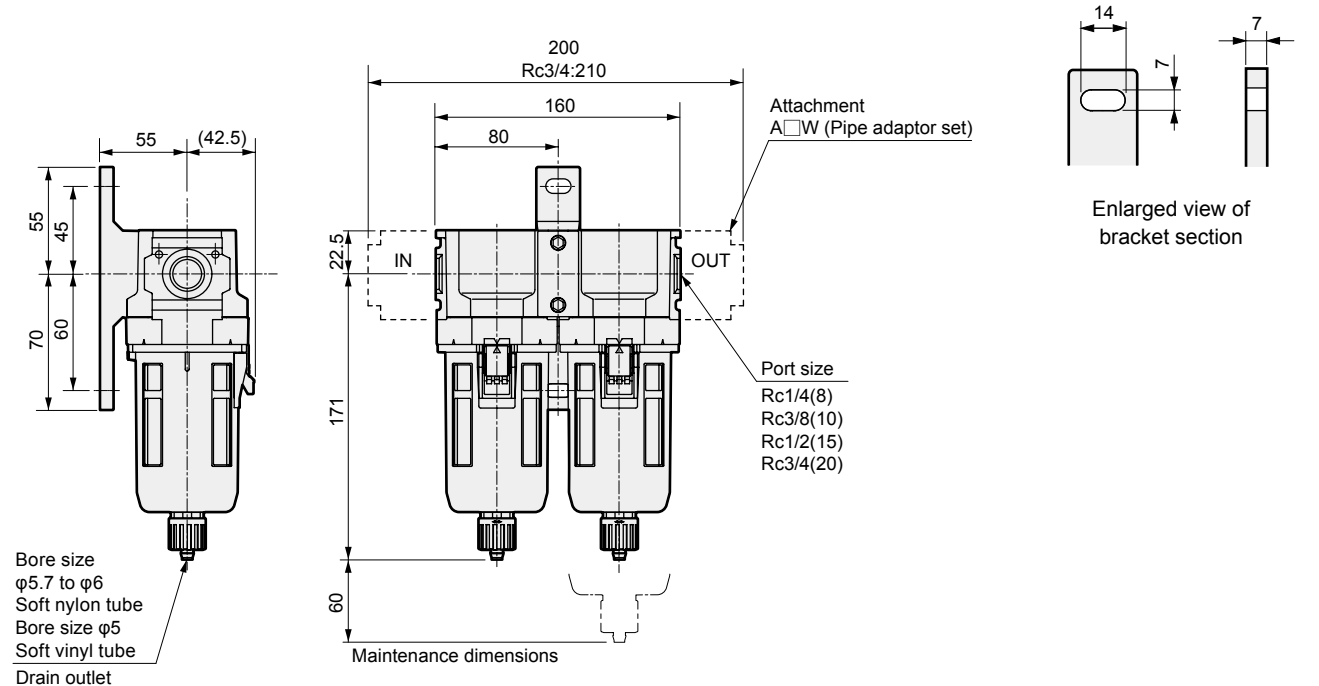
Dimensions

● C3060-W



● Refer to page 103 for the dimensions of the metal bowl option filter and page 113 for the oil mist filter.

● C4060-W



● Refer to page 103 for the dimensions of the metal bowl option filter and page 113 for the oil mist filter.

F.R.L
F (Filtr)
R (Reg)
L (Lub)
PresSW
Shutoff
SlowStart
FmResistFR
Oil-ProhR
MedPresFR
No Cu/ PTFE FRL
Outdrs FR
F.R.L (Related)
CompFRL
LgFRL
PrecsR
VacF/R
Clean FR
ElecPneuR
AirBoost
SpdContr
Silncr
CheckV/ other
Jnt/tube
AirUnt
PrecsCompn
Mech/ ElecPresSw
ContactSW
AirSens
PresSW Cool
AirFloSens/ Contr
WaterRtSens
TotAirSys (Total Air)
TotAirSys (Gamma)
RefrDry
DesicDry
HiPolymDry
MainFiltr
Dischrg etc
Ending

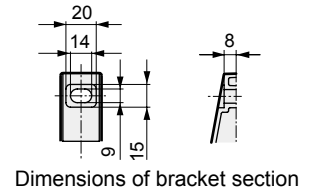
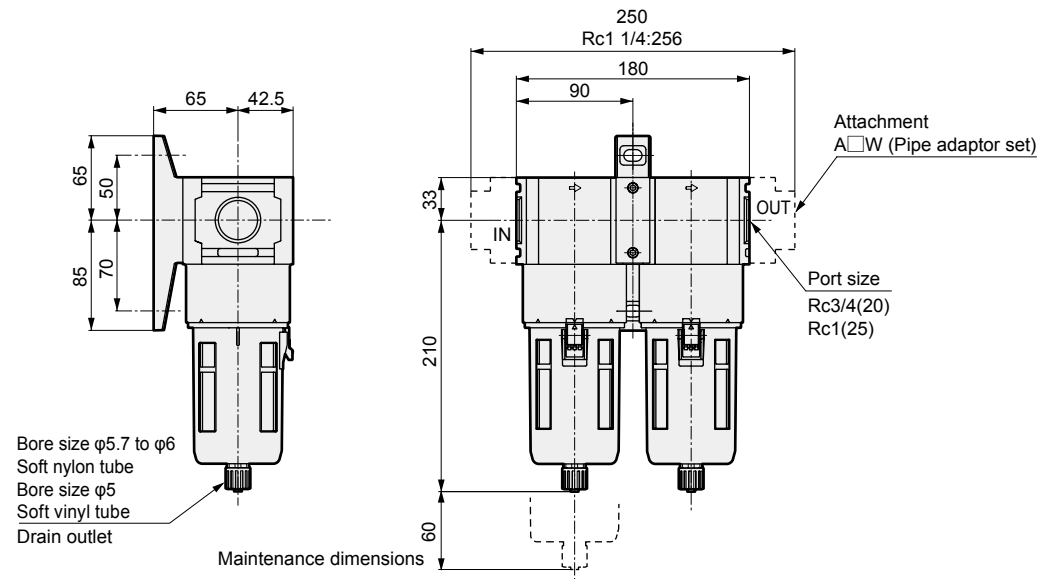
F.M. Combination



Dimensions

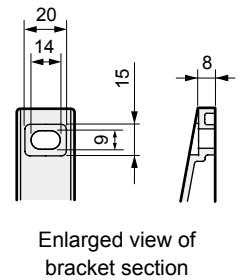
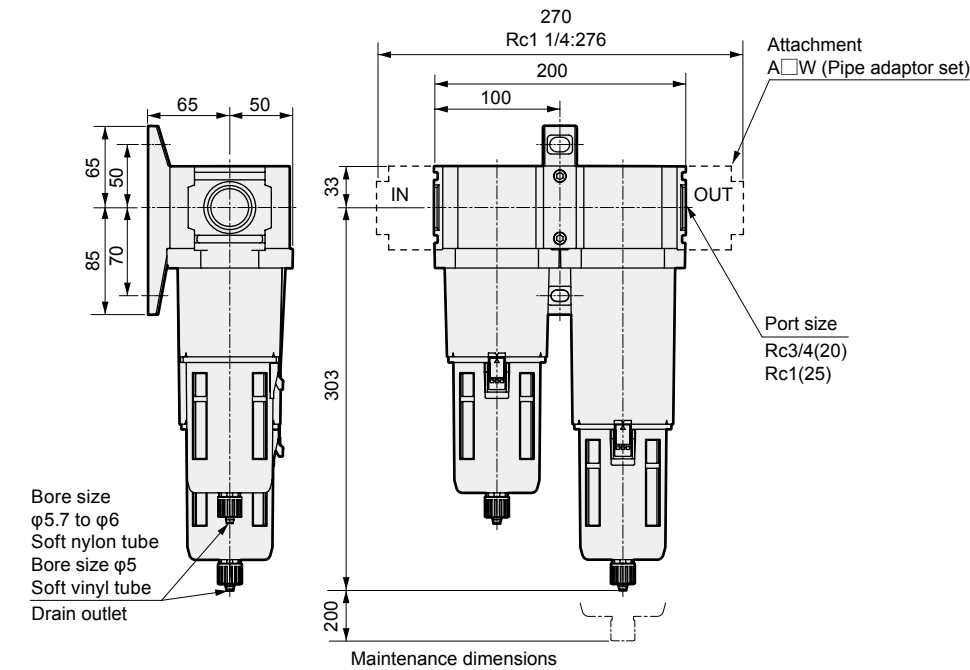
F.R.L
F (Filtr)
R (Reg)
L (Lub)
PresSW
Shutoff
SlowStart
FimResistFR
Oil-ProhR
MedPresFR
No Cu/ PTFE FRL
Outdrs FR
F.R.L (Related)
CompFRL
LgFRL
PrecsR
VacF/R
Clean FR
ElecPneuR
AirBoost
SpdContr
Silncr
CheckV/ other
Jnt/tube
AirUnt
PresCompn
Mech/ ElecPresSw
ContactSW
AirSens
PresSW Cool
AirFloSens/ Contr
WaterRtSens
TotAirSys (Total Air)
TotAirSys (Gamma)
RefrDry
DesicDry
HiPolymDry
MainFiltr
Dischrg etc
Ending

● C6060-W



● Refer to page 103 for the dimensions of the metal bowl option filter and page 113 for the oil mist filter.

● C8060-W



● Refer to page 103 for the dimensions of the metal bowl option filter and page 113 for the oil mist filter.

F.R.L

F (Filtr)

R (Reg)

L (Lub)

PresSW

Shutoff

SlowStart

FimResistFR

Oil-ProhR

MedPresFR

No Cu/
PTFE FRL

Outdrs FR

F.R.L
(Related)

CompFRL

LgFRL

PrecsR

VacF/R

Clean FR

ElecPneuR

AirBoost

SpdContr

Silncr

CheckV/
other

Jnt/tube

AirUnt

PrecsCompn

Mech/
ElecPresSw

ContactSW

AirSens

PresSW
Cool

AirFloSens/
Contr

WaterRtSens

TotAirSys
(Total Air)

TotAirSys
(Gamma)

RefrDry

DesicDry

HiPolymDry

MainFiltr

Dischrg
etc

Ending



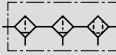
F.F.M. combination Standard White Series

C3070/C4070/C6070/C8070-W Series

5µm filter, 0.3µm filter and oil mist filter integrated.

● Port size: 1/4 to 1

JIS symbol



Specifications

Descriptions		C3070-W	C4070-W	C6070-W	C8070-W
Appearance					
Comps	Filter (5 µm)	F3000-W	F4000-W	F6000-W	F8000-W
	Filter (0.3 µm)	F3000-W	F4000-W	F6000-W	F8000-W
	Oil mist filter	M3000-W	M4000-W	M6000-W	M8000-W
Working fluid		Compressed air			
Max. working pressure MPa		1.0 (≈150 psi, 10 bar) *2, 3			
Proof pressure MPa		1.5 (≈220 psi, 15 bar)			
Ambient / fluid temperatures °C		5 (41°F) to 60 (140°F)			
Port size Rc,NPT,G		1/4, 3/8 (1/2 uses an adaptor)	1/4, 3/8, 1/2 (3/4 uses an adaptor)	3/4, 1 (1 1/4 uses an adaptor)	3/4, 1 (1 1/4 uses an adaptor)
Weight kg		0.96	1.61	3.09	4.01
Secondary oil concentration		0.01 mg/m ³ or less (0.1 mg/m ³ or less after oil saturation)			
Max. flow rate (*1) m ³ /min		0.23	0.5	0.8	1.1

*1: The max. flow is for a primary pressure of 0.7 MPa.

*2: In the case of "F" with auto-drain, the supply air pressure is 0.15 MPa or more. For the air filter auto-drain, air is purged with the initial drainage until pressure reaches 0.1 MPa.

*3: In the case of "F1" with auto-drain, the required supply air pressure is 0.15 MPa or more.

*4: Refer to page 106 for details on other oil mist filters.

Option weight

* Add to the weight of the standard accessories.

Unit: kg

Code	Drain discharge				Bowl material		Pipe adaptor set					
	F	F1	FF	FF1	M	M1	A8*W	A10*W	A15*W	A20*W	A25*W	A32*W
C3070	0.06	0.06			0.3	0.3	0.16	0.16	0.16			
C4070	0.06	0.06			0.3	0.3	0.16	0.16	0.16	0.16		
C6070	0.06	0.06			0.3	0.3				0.53	0.53	0.53
C8070	0.06	0.06	0.06	0.06	0.3	0.3				0.53	0.53	0.53

F.F.M. Combination

How to order

How to order

C3070 - **6** - **W** - **Z** - **A6W**

A Model No.

B Port size

C Port thread

D Option

E Display unit

F Pipe adaptor set (attachments)

* Refer to page 28 for the explanation of the option.

A Model No.

F.R.L

F (Filtr)

R (Reg)

L (Lub)

PresSW

Shutoff

SlowStart

FimResistFR

Oil-ProhR

MedPresFR

No Cu/PTFE FRL

Outdrs FR

F.R.L (Related)

CompFRL

LgFRL

PrecsR

VacF/R

Clean FR

ElecPneuR

AirBoost

SpdContr

Silncr

CheckV/other

Jnt/tube

AirUnt

PrecsCompn

Mech/ElecPresSw

ContactSW

AirSens

PresSW Cool

AirFloSens/Contr

WaterRtSens

TotAirSys (Total Air)

TotAirSys (Gamma)

RefrDry

DesicDry

HiPolymDry

MainFiltr

Dischrg etc

Ending

Code		Content	C3070	C4070	C6070	C8070
B Port size						
8	1/4		●	●		
10	3/8		●	●		
15	1/2			●		
20	3/4			● ^{*1}	●	●
25	1				●	●
C Port thread ^{*2}						
Blank	Rc thread		●	●	●	●
N	NPT thread		●	●	●	●
G	G thread		●	●	●	●
D Option ^{*3}						
Drain discharge ^{*4, *5}	Blank	With manual drain cock	●	●	●	●
	F	Auto-drain, man OVRD (NO: no press→Exhaust)	●	●	●	●
	F1	Auto-drain, man OVRD (NC: no press→no exhaust)	●	●	●	●
	FF	Large auto-drain, man OVRD (NO: no press→Exhaust)				●
	FF1	Large auto-drain, man OVRD (NC: no press→no exhaust)				●
Bowl material	Blank	Polycarbonate bowl	●	●	●	●
	Z	Nylon bowl	●	●	●	●
	M	Metal bowl	●	●	●	●
	M1	Metal bowl with manual drain cock	●	●	●	●
Diff press detect	Blank	Without differential pressure detection port	●	●	●	●
	Q	With differential pressure detection port (Rc 1/4)			●	●
Flow direction	Blank	Standard flow (left → right)	●	●	●	●
	X1	Reverse flow (right → left)	●	●	●	●
E Display unit						
Blank	MPa display, Rc thread		●	●	●	●
J1	MPa display, NPT, G thread		●	●	●	●
F Pipe adaptor set (attachments) ^{Page 270 *6}						
Blank	Not attached		●	●	●	●
A8*W	1/4 pipe adaptor set		●	●		
A10*W	3/8 pipe adaptor set		●	●		
A15*W	1/2 pipe adaptor set		●	●		
A20*W	3/4 pipe adaptor set			●	●	●
A25*W	1 pipe adaptor set				●	●
A32*W	1 1/4 pipe adaptor set				●	●
* Adaptor thread						
Blank	Rc thread		●	●	●	●
N	NPT thread		●	●	●	●
G	G thread		●	●	●	●

⚠ Precautions for model No. selection

- *1: Pipe adaptor A400-20*-W is assembled on both ends of C4070-20*-W. A20*W does not need to be selected for the pipe adaptor set.
- *2: G threads and NPT threads are available for IN, OUT and drain outlet (metal bowl with auto-drain).
- *3: Select options for the drainage, bowl material, element and differential pressure detection. When selecting options for several items, list options in order from the top.
- *4: Refer to page 280 for the auto-drain usage conditions.
- *5: When option code "F" is selected, the NO auto-drain is supplied with the air filter and the NC auto-drain is supplied with the oil mist filter. When option code "F1" is selected, the NC auto-drain is included with the air filter and oil mist filter. For "FF" and "FF1", only the filter has a large discharge rate. The oil mist filter is normal NC auto-drain.
- *6: The joiner set is enclosed with the pipe adaptor set.

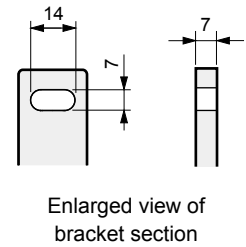
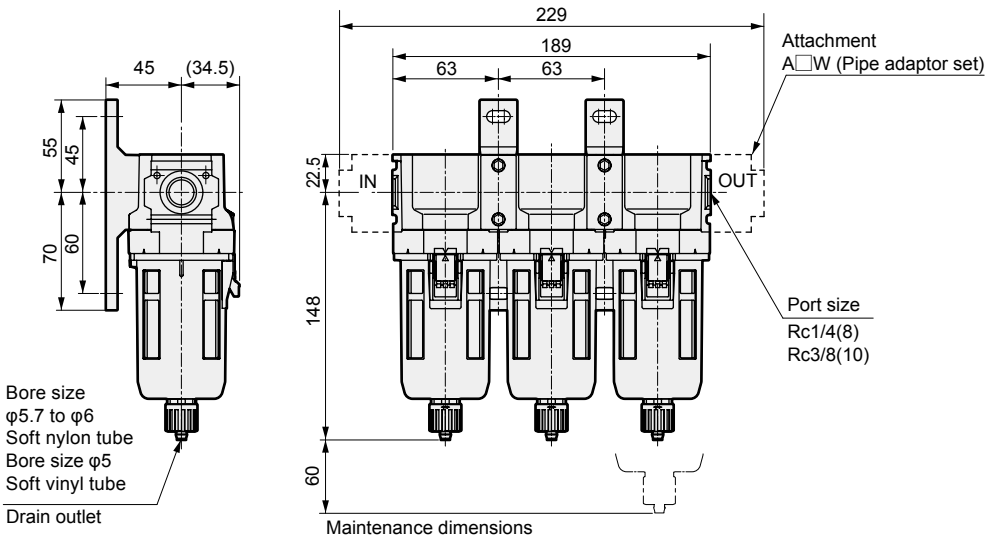
F.F.M. Combination



F.R.L Dimensions

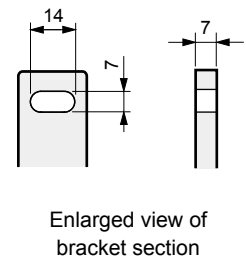
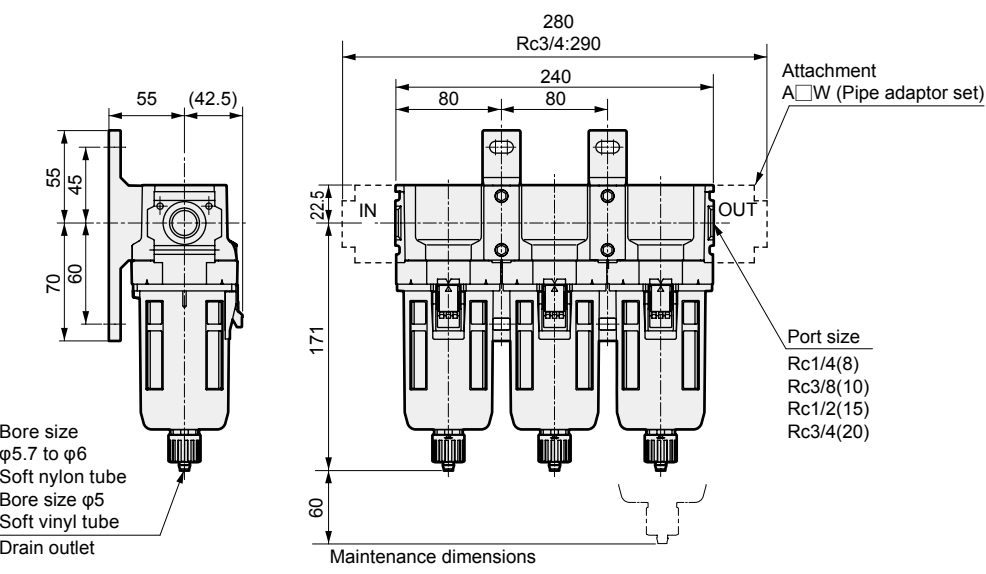
- F (Filtr)
- R (Reg)
- L (Lub)
- PresSW
- Shutoff
- SlowStart
- FimResistFR
- Oil-ProHR
- MedPresFR
- No Cu/
PTFE FRL
- Outdrs FR
- F.R.L
(Related)
- CompFRL
- LgFRL
- PrecsR
- VacF/R
- Clean FR
- ElecPneuR
- AirBoost
- SpdContr
- Silncr
- CheckV/
other
- Jnt/tube
- AirUnt
- PresCompn
- Mech/
ElecPresSw
- ContactSW
- AirSens
- PresSW
Cool
- AirFloSens/
Contr
- WaterRtSens
- TotAirSys
(Total Air)
- TotAirSys
(Gamma)
- RefrDry
- DesicDry
- HiPolymDry
- MainFiltr
- Dischrg
etc
- Ending

● C3070-W



● Refer to page 103 for the dimensions of the metal bowl option filter and page 113 for the oil mist filter.

● C4070-W

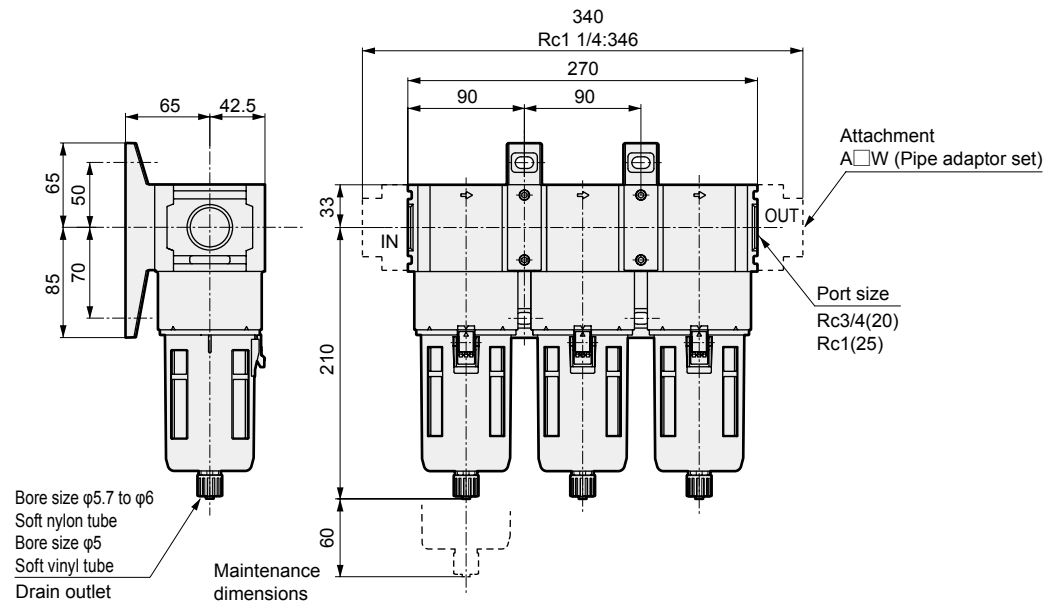


● Refer to page 103 for the dimensions of the metal bowl option filter and page 113 for the oil mist filter.

Dimensions

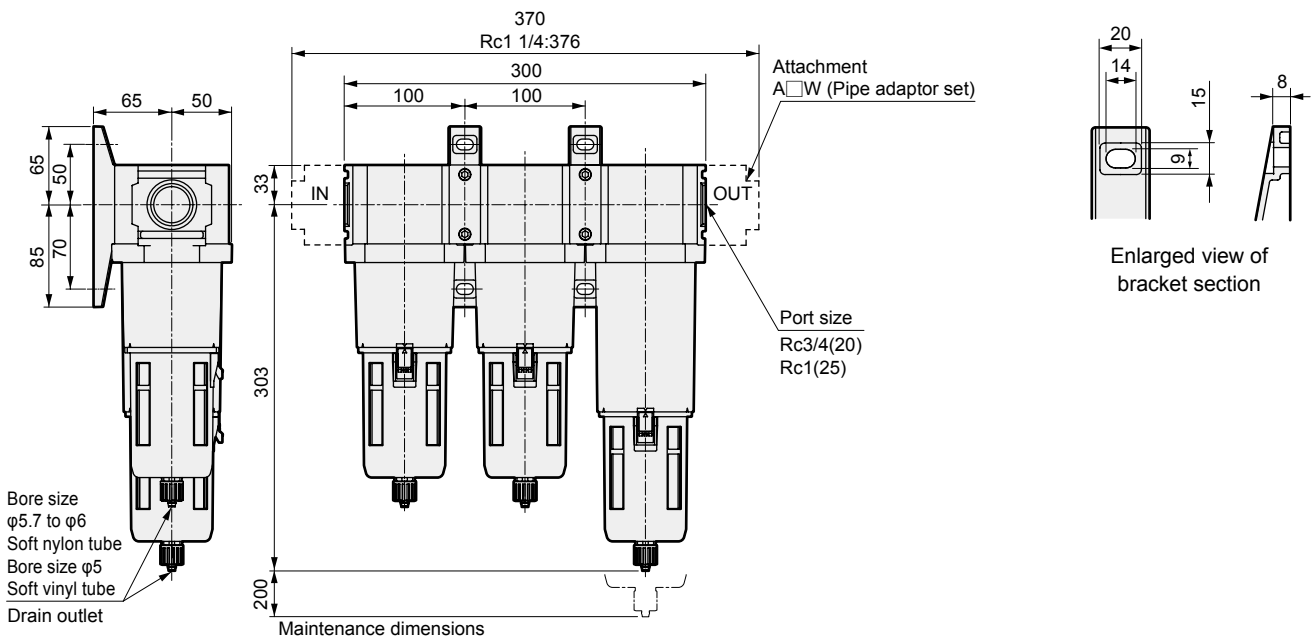


● C6070-W



● Refer to page 103 for the dimensions of the metal bowl option filter and page 113 for the oil mist filter.

● C8070-W



● Refer to page 103 for the dimensions of the metal bowl option filter and page 113 for the oil mist filter.

F.R.L

F (Filtr)

R (Reg)

L (Lub)

PresSW

Shutoff

SlowStart

FmResistFR

Oil-ProhR

MedPresFR

No Cu/
PTFE FRL

Outdrs FR

F.R.L
(Related)

CompFRL

LgFRL

PrecsR

VacF/R

Clean FR

ElecPneuR

AirBoost

SpdContr

Silncr

CheckV/
other

Jnt/tube

AirUnt

PrecsCompn

Mech/
ElecPresSw

ContactSW

AirSens

PresSW
Cool

AirFloSens/
Contr

WaterRtSens

TotAirSys
(Total Air)

TotAirSys
(Gamma)

RefrDry

DesicDry

HiPolymDry

MainFiltr

Dischrg
etc

Ending