



## Nozzles and Accessories for Compressed Air



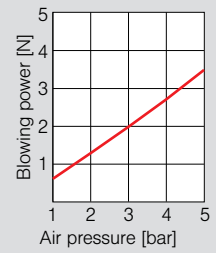
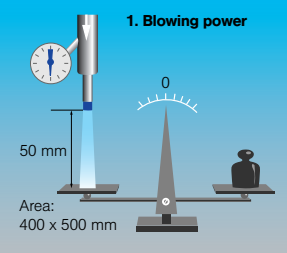
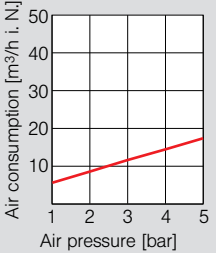
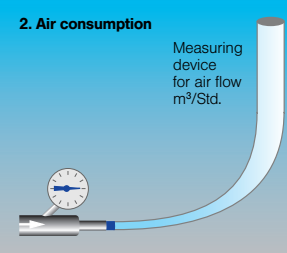
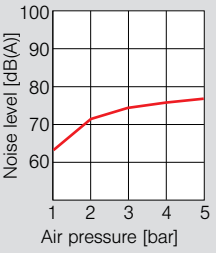
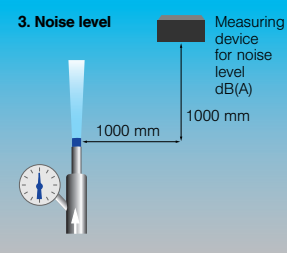
A wide range of  
noise-reduced nozzles



# Compressed Air can Make the Process More Efficient

In many industries compressed air is a vital aid for drying, cooling and transporting, blowing-off and cleaning, loosening and mixing and assists thereby the economical realization of processes. The range of applications has not reached its limit. In all these applications two aspects should be taken into consideration: Generating compressed air requires money and the high-frequency noise, this occurs mainly at high pressures and by using single orifice nozzles and can damage hearing. Therefore it is necessary to use compressed air as economically as possible and to use modern technics of low noise.

Lechler has combined its total know-how of nozzle technology, the practical experience concerning applications and newest trends of research and has provided a special offer to this subject. Should it not be possible for you to find a solution for a special case within this wide range, please contact our specialists.

Example for measuring	Measuring method
	
	
	

Blowing power, air consumption and noise level are the three decisive criterions for the selection of air nozzles. In order to reach comparable values Lechler uses measuring methods, which are typical in the industry.

# Modern Nozzle Technics for More Efficiency and Less Noise.

By the development of new **multiple spray nozzles** with specially formed nozzle orifices, the noise causing turbulences at the air exit have been considerably reduced; at the same time an improvement of the efficiency was reached by the nozzle construction. Thus it is possible to reduce the air pressure – and also the air consumption – but maintain a constant blowing power.

This positive effect was reached mainly by dividing the air stream into smaller air streams. Hereby the incoming compressed air is led evenly into air channels, which are favourably arranged with regard to streaming. The result is a particularly even and powerful total air stream.

The advantages for practical use are convincing:

### More comfortable working conditions

by reducing the noise level by up to 12 dB.

▶ This corresponds to a reduction by a half of the noise for the human ear.

### Lower energy costs

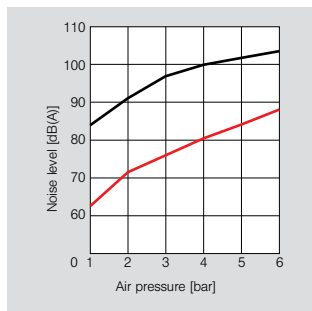
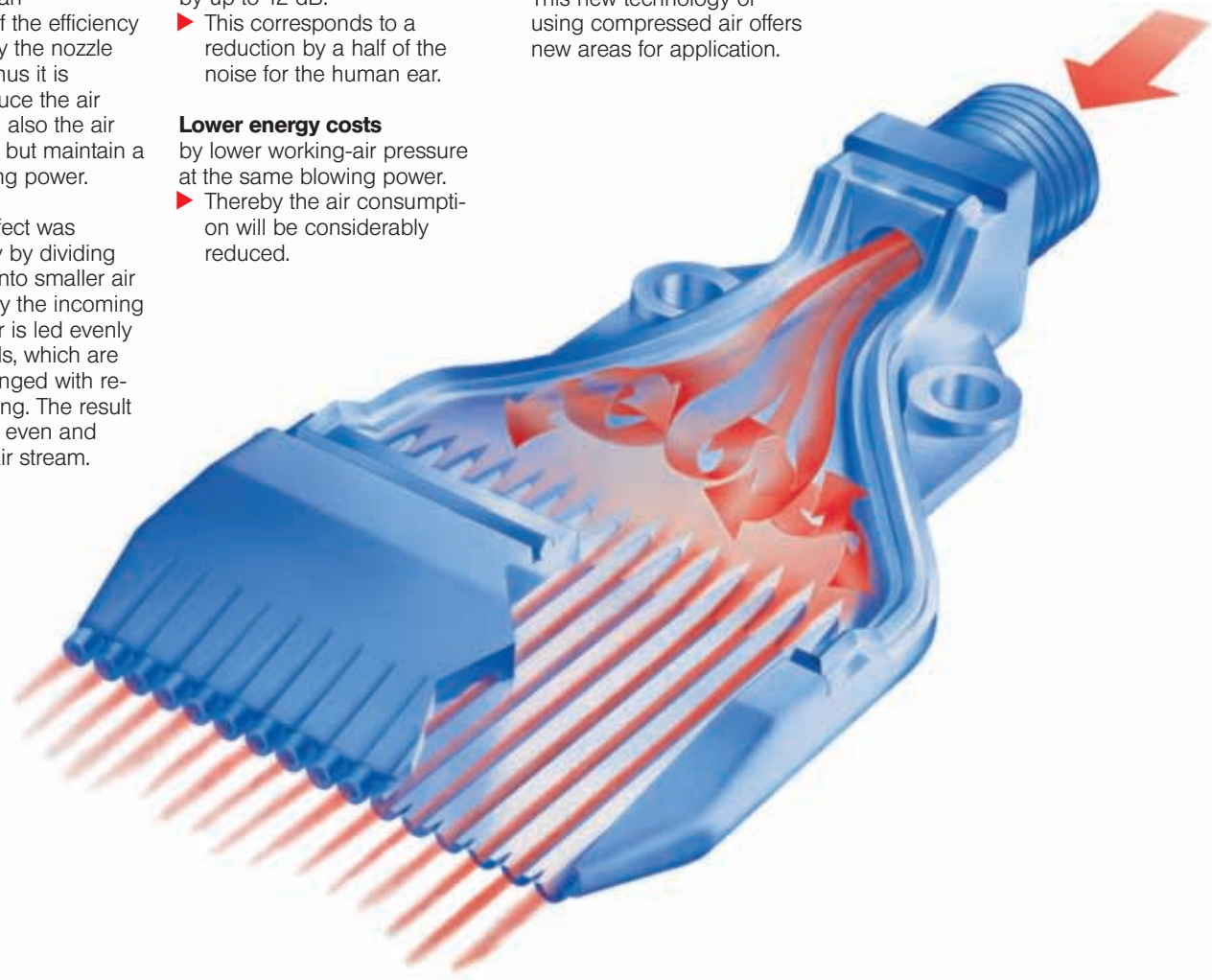
by lower working-air pressure at the same blowing power.

▶ Thereby the air consumption will be considerably reduced.

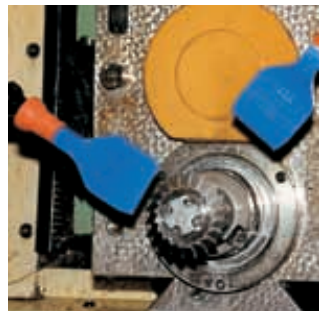
### Higher capacity

by better blowing power from larger distances and by an evenly directed air stream.

▶ Thereby the efficiency will be considerably increased. This new technology of using compressed air offers new areas for application.



— Lechler multiple spray nozzle  
— Conventional nozzle



The new Lechler compressed air nozzles have already proven successful in practice in many operations.



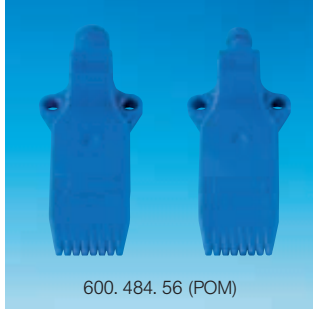
# Whisperblast Multiple Spray Nozzles

Low-noise flat jet nozzles

Standard versions  
for universal applications



600.130.56 (POM)



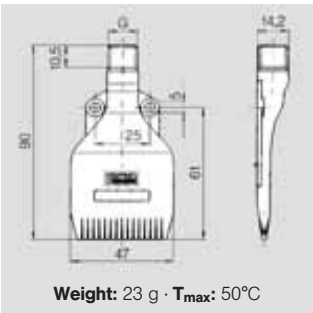
600.484.56 (POM)



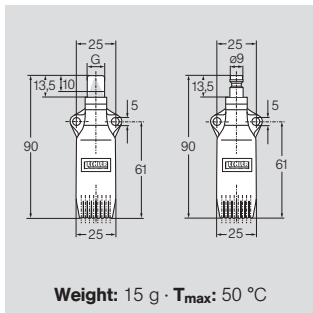
600.283.42 (Aluminium)



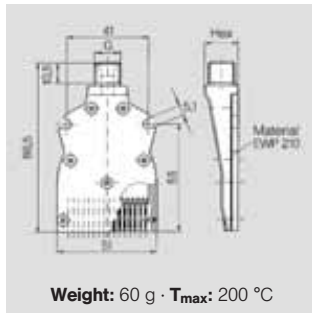
600.493.1Y (Stainless steel 316L)



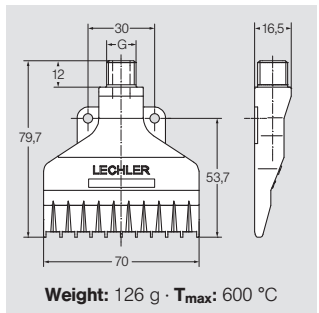
Weight: 23 g · T<sub>max</sub>: 50 °C



Weight: 15 g · T<sub>max</sub>: 50 °C



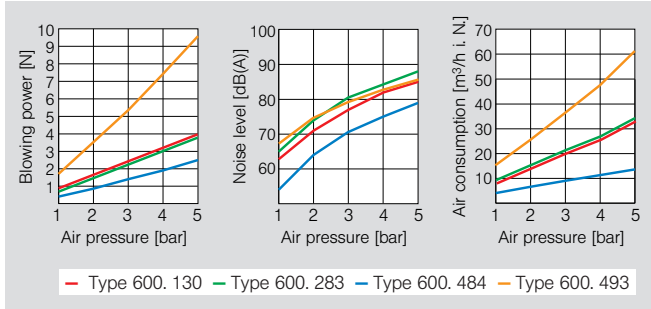
Weight: 60 g · T<sub>max</sub>: 200 °C



Weight: 126 g · T<sub>max</sub>: 600 °C

## Multiple spray flat jet nozzle series 600.130 / 600.484 / 600.283 / 600.493

- Highly efficient air stream
- Reduced noise levels
- Low air consumption
- Standard nozzle with multiple applications
- Aluminium version for high mechanical/thermal stress

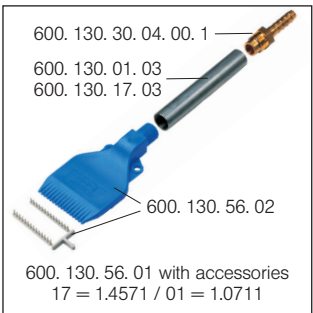


Nozzle row see page 12

Compressed air is essential in today's engineering processes. Lechler have purposely developed the Whisperblast® range of products to **conserve energy, increase process efficiency, provide an investment in cost reduction, and improve the working environment.**

### Applications:

Blowing-off, cleaning, drying, cooling, transporting.



Ordering no.		Thread connection G	Accessories
Type	Code		
600.130.56 (Material: POM)	BC	1/4 NPT	
	AC	1/4 BSPP	
	02	1/4 BSPP	Plug
	01	1/4 BSPP	Plug Hose barbe (D = 8 mm), Extension tube, steel (L = 85 mm)
600.484.56 (Material: POM)	AC	1/4 BSPP	
	BC	1/4 NPT	
	HG	M12 x 1,25	
	00	Quick Connection	
600.283.42 (Material: Aluminium)	AC	1/4 BSPP	
	BC	1/4 NPT	
600.493.1Y (Material: Stainless steel 316L)	AC	1/4 BSPP	
	BC	1/4 NPT	

**Example for ordering:** Type + Material + Code = Ordering no.  
600.130. + 56 + AC = 600.130.56.AC



# Whisperblast Multiple Spray Nozzles

## Low-noise flat jet nozzles

**Special versions  
for special applications**

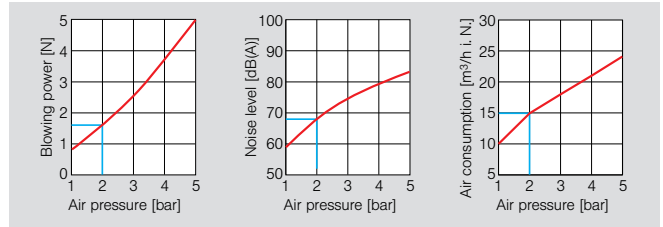
### Mini-flat jet nozzle type 600.382.30.AE

■ Exceptionally low air consumption

**Weight:** 35 g · **T<sub>max</sub>:** 90°C

**V<sub>Air</sub>:** 15 m<sup>3</sup>/h at 2 bar

**Connection:** 3/8 BSPP



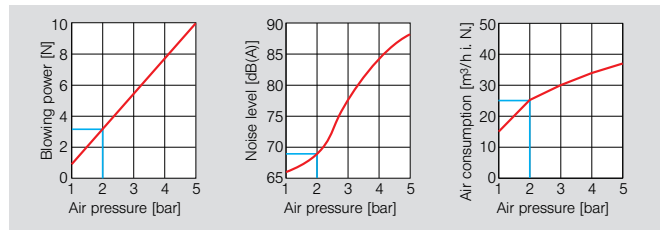
### Intensive-flat jet nozzle type 600.383.30.AE

■ Exceptionally high blowing power

**Weight:** 36 g · **T<sub>max</sub>:** 90°C

**V<sub>Air</sub>:** 25 m<sup>3</sup>/h at 2 bar

**Connection:** 3/8 BSPP



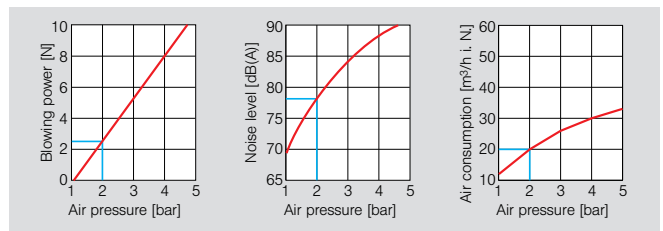
### Compact-flat jet nozzle type 600.386.01.AE

■ Exceptionally short form for narrow positions

**Weight:** 38 g · **T<sub>max</sub>:** 90°C

**V<sub>Air</sub>:** 20 m<sup>3</sup>/h at 2 bar

**Connection:** 3/8 BSPP



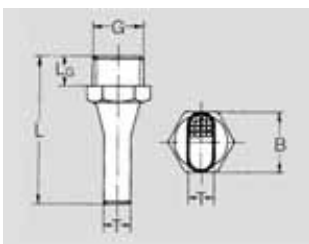
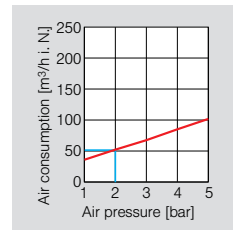
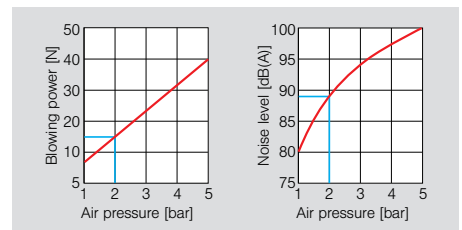
### Maxi-flat jet nozzle type 600.385.30.AL

■ Suitable for low-noise blowing of big air quantities

**Weight:** 155 g · **T<sub>max</sub>:** 90°C

**V<sub>Air</sub>:** 51 m<sup>3</sup>/h at 2 bar

**Connection:** 3/4 BSPP



Ordering no.	Material	G BSPP	L [mm]	L <sub>G</sub> [mm]	B [mm]	T [mm]
600.382.30.AE	Brass / PVC	3/8	100	10	21,5	4,5
600.383.30.AE	Brass / PVC	3/8	100	10	21,0	6,0
600.386.01.AE	Steel / PVC	3/8	50	10	16,5	8,5
600.385.30.AL	Brass / PVC	3/4	120	-	43,0	9,0



# Whisperblast Multiple Spray Nozzles

## Low-noise round jet nozzles

### Multiple round jet nozzle series 600.326

- Powerful, focused impinging air stream
- Low noise level
- Low air consumption
- Standard nozzle with big varieties of application
- Mainly suitable in connection with an usual hand held air gun

### Applications:

Precise blowing-off, drying and cooling.

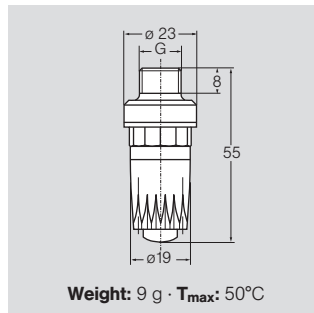
**Zinc-version is not for use with steam or in steam atmosphere.**



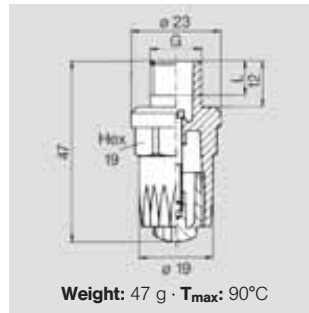
600.326.5K (ABS)



600.326.3W (Zinc)



Weight: 9 g · T<sub>max</sub>: 50°C

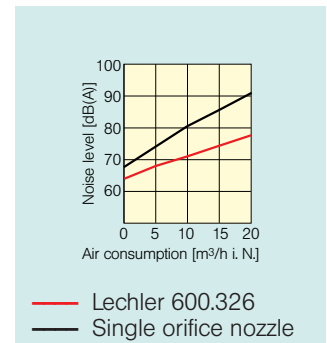
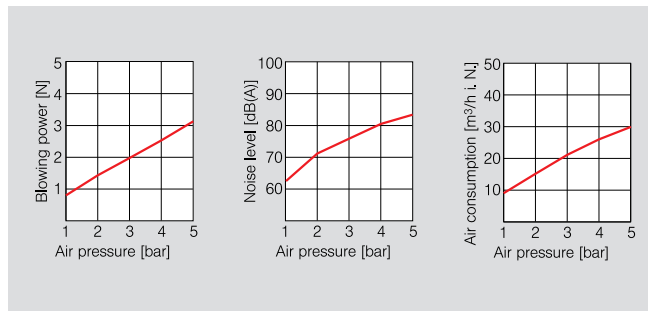


Weight: 47 g · T<sub>max</sub>: 90°C



### Type 600.326.5K.HG

in connection with typical compressed air gun



— Lechler 600.326  
— Single orifice nozzle

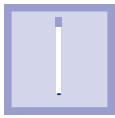
**Reduction of the noise level of up to 12 dB (A) in comparison to single orifice nozzles**

▶ **Reduction of noise up to 60 %.**

Ordering no.		Thread connection G
Type	Code	
600.326.5K (Material: ABS)	BA	1/8 NPT
	BC	1/4 NPT
	AC	1/4 BSPP
	HG	M 12 x 1,25
600.326.3W (Material: Zinc)	AC	1/4 BSPP
	HG	M 12 x 1,25



Example for ordering: Type 600.326.5K + Code AC = Ordering no. 600.326.5K.AC



# Whisperblast Multiple Spray Nozzles

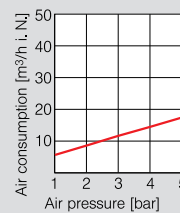
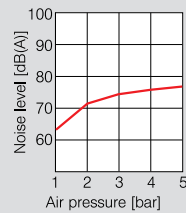
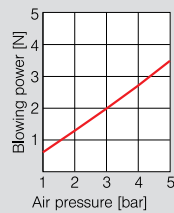
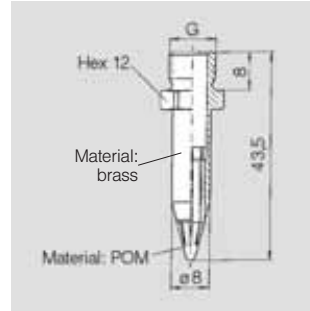
## Low-noise round jet nozzles

### Mini-multiple round jet nozzles series 600.388

- Particularly high blowing
- Compact form
- Mainly suitable for positions where access is limited and also for blowing-out blind holes

Material: Brass/POM

Weight: 12 g · T<sub>max</sub>: 50°C



Ordering no.		Thread connection G
Type	Code	
600.388.30 (Material: Brass/POM)	AA	1/8 BSPP
	HG	M 12 x 1,25

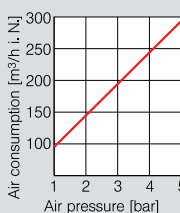
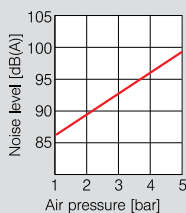
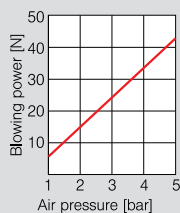
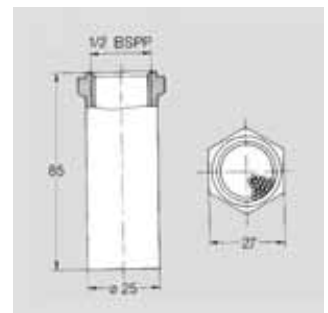
Example for ordering: Type 600.388.30 + Code AA = Ordering no. 600.388.30.AA

### Maxi-multiple round jet nozzle type 600.387.30.AH

- Particularly high blowing power, even for long distances

Material: Brass/PVC

Weight: 100 g · T<sub>max</sub>: 90°C



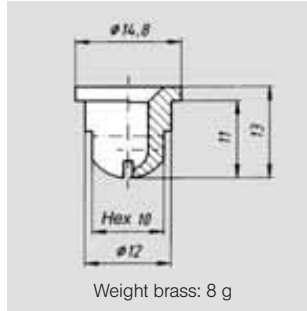


# Compressed Air Nozzles for Special Applications

## Flat jet slot nozzles

### Flat jet slot nozzle for air and saturated steam series 679

- Wide, strong air stream
- Easy, adjustable mounting
- Easy, spray adjustment



Weight brass: 8 g

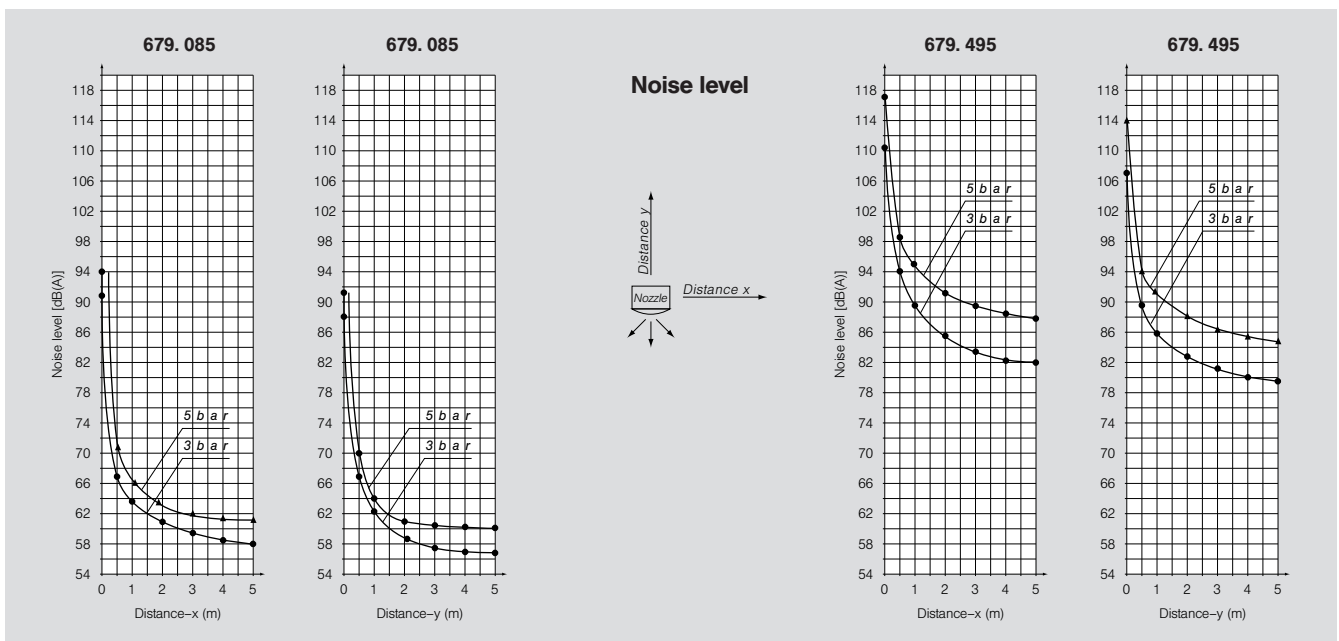


Accessories for assembly see p. 11

Ordering no.		A Ø [mm]	V̇n Air[m <sup>3</sup> /h i. N.]				Ṁ Saturated steam [kg/h]				
Type	Mat. no.		p [bar]				p [bar]				
	17	30	0,5	2,0	5,0	10,0	0,5	2,0	5,0	10,0	
679. 037	-	○	1,2	1,40	2,60	5,40	11,00	0,50	1,50	3,20	6,10
679. 085	○	○	1,3	1,20	3,00	6,00	11,10	0,90	1,90	3,70	6,70
679. 117	○	○	1,5	1,70	3,50	7,80	15,00	0,80	2,30	5,10	9,50
679. 165	○	○	1,8	2,20	5,30	10,70	19,50	1,70	3,30	6,60	11,80
679. 255	○	○	2,1	3,20	7,90	15,70	28,80	2,50	4,90	9,70	17,50
679. 365	○	○	2,8	5,40	13,10	26,20	48,10	4,10	8,20	16,10	29,10
679. 415	○	○	3,6	8,90	21,70	43,30	79,40	6,80	13,60	26,70	48,10
679. 495	○	○	4,3	13,40	32,80	65,60	120,20	10,30	20,60	40,40	72,90

A = equivalent bore diameter

<b>Example</b>	<b>Type</b>	<b>+</b>	<b>Material no.</b>	<b>=</b>	<b>Ordering no.</b>
<b>for ordering:</b>	<b>679. 037</b>	<b>+</b>	<b>30</b>	<b>=</b>	<b>679. 037. 30</b>





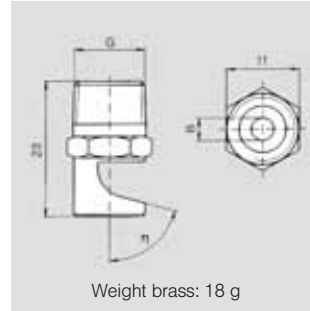


# Compressed Air Nozzles for Special Applications

## Flat jet tongue type nozzles / Multiple solid jet nozzles

### Flat jet tongue type nozzle for air and saturated steam series 686

- Air stream on an extremely wide area
- Suitable for short blowing distances



Ordering no.				B [mm]	α	V̇ <sub>n</sub> Air [m <sup>3</sup> /h i. N.]				Ṁ Saturated steam [kg/h]				
Type	Mat. no.		Code			p [bar]				p [bar]				
	16	30				1,0	2,0	5,0	10,0	1,0	2,0	5,0	10,0	
	1.4305	Brass	1/8 BSPT											
686. 408	○	○	CA	1,0	75°	0,70	1,00	2,10	3,70	0,90	1,30	2,40	4,00	
686. 488	○	○	CA	1,3	75°	1,20	1,70	3,60	6,20	1,40	2,10	3,90	6,50	
686. 528	○	○	CA	1,5	75°	1,60	2,30	4,80	8,40	1,90	2,80	5,20	8,70	
686. 568	○	○	CA	1,7	75°	2,00	3,00	6,30	11,00	2,50	3,70	6,90	11,50	
686. 608	○	○	CA	1,9	75°	2,50	3,70	7,80	13,50	3,10	4,60	8,60	14,30	
686. 688	○	○	CA	2,4	75°	4,00	5,90	12,40	21,50	4,90	7,30	13,60	22,70	
686. 728	○	○	CA	2,7	75°	7,10	10,00	21,20	38,20	5,70	9,20	16,40	29,20	
686. 808	○	○	CA	3,4	75°	11,20	16,00	33,70	60,60	9,00	14,60	26,00	46,30	

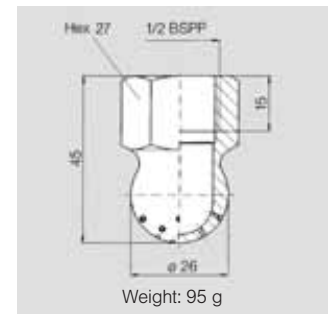
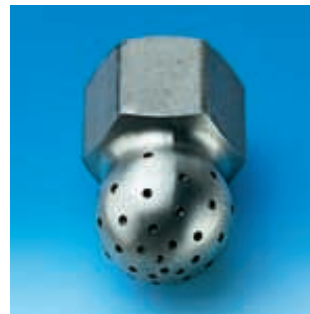
B = bore diameter

### Multiple solid jet nozzle for air and saturated steam series 540/541

- Even complete air distribution by 40 single bores

#### Applications:

Steam atomization into liquids, aeration of bulk material, loosening, atomization of gas into acid and neutralizing baths, liquid circulation, acceleration of chemical reactions and processes.



Spray angle	Ordering no.			B Ø [mm]	V̇ <sub>n</sub> Air [m <sup>3</sup> /h i. N.]				Ṁ Saturated steam [kg/h]			
	Type	Mat. no.			p [bar]				p [bar]			
		16	1.4305/303 SS		1,0	2,0	3,0	5,0	1,0	2,0	3,0	5,0
appr. 240°	540. 909	○	○	0,8	26,20	39,30	52,50	78,70	21,80	32,00	38,20	58,60
	540. 989	○	○	1,0	41,00	61,50	82,00	102,00	34,00	50,00	59,70	91,50
	541. 109	○	○	1,5	92,20	138,00	184,00	231,00	76,60	113,00	134,00	206,00
	541. 189	○	○	2,0	164,00	246,00	328,00	492,00	136,00	200,00	239,00	366,00
	541. 239	○	○	2,3	217,00	325,00	434,00	651,00	180,00	265,00	316,00	484,00

B = bore diameter

Example for ordering: Type 686. 408 + Material no. (+ code) = Ordering no. (+ CA) = 686. 408. 16. (CA)

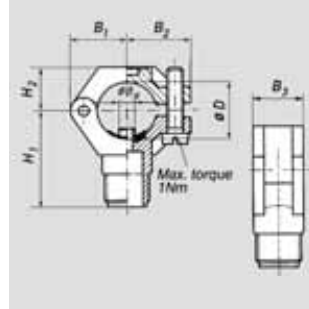




# Accessories for Flat Jet Slot Nozzles

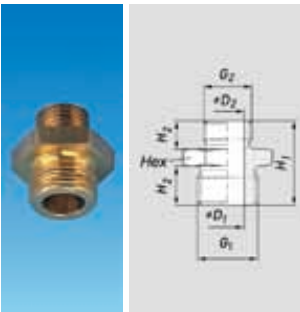
## Clamps

- For flat jet slot nozzles series 679
- Easy fixing of nozzles with nut
- Adjustment of stream without any problems



Ordering no.		Dimensions [mm]											Weight (Polyamide)
Type	Material no.			Screw	Pipe $\phi$	D $\phi$	B <sub>R</sub> $\phi$	B <sub>1</sub>	B <sub>2</sub>	B <sub>3</sub>	H <sub>1</sub>	H <sub>2</sub>	
	51 Polyamide	53 Polypropylene	5E PVDF										
090.003	<input type="radio"/>	<input type="radio"/>	<input type="radio"/>	Material 1.4305	1/2"	20-22,0	6,2	21,2	23,8	18,5	36,5	16,5	20 g
090.013	<input type="radio"/>	<input type="radio"/>	<input type="radio"/>		3/4"	25-27,5	7,8	24,5	26,5	22,0	39,5	17,5	25 g
090.023	<input type="radio"/>	<input type="radio"/>	<input type="radio"/>		1"	32-34,5	10,8	30,0	31,0	22,0	44,0	21,0	32 g

## Double nipple



Ordering no.		Dimensions [mm]									Weight (Brass)
Type	Mat. no.		G <sub>1</sub> BSPP	G <sub>2</sub> BSPP	H <sub>1</sub>	H <sub>2</sub>	D <sub>1</sub>	D <sub>2</sub>	Hex		
	17 1.4571/ 316 SS	30 Brass									
065.215	<input type="radio"/>	<input type="radio"/>	3/8	1/4	25	10	10	7	22	30 g	
065.211	<input type="radio"/>	<input type="radio"/>	3/8	3/8	25	10	11,5	-	22	25 g	

## Nuts



Ordering no.		Material no.					Dimensions [mm]				Weight (brass)
Type	G BSPP	H <sub>1</sub>	H <sub>2</sub>	D	Hex	16 1.4305/ 303 SS	17 1.4571/ 316 SS	30 Brass	56 POM	5E PVDF	
065.200	<input type="radio"/>	<input type="radio"/>	<input type="radio"/>	-	-	3/8	13,0	10,0	12,8	22	25 g
065.200	-	-	-	<input type="radio"/>	<input type="radio"/>	3/8	14,5	11,5	12,8	22	25 g

# Multiple Nozzle Base



Lechler GmbH  
 Precision Nozzles - Nozzle Systems  
 P.O. Box 13 23  
 72544 Metzingen / Germany  
 Phone +49 (0) 71 23 - 962 - 0  
 Fax +49 (0) 71 23 - 962 - 333

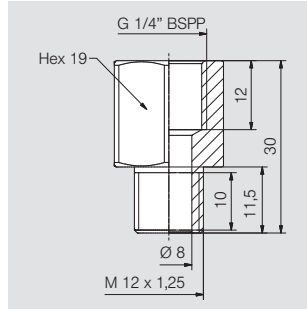
E-Mail: [info@lechler.de](mailto:info@lechler.de)  
 Internet: [www.lechler.com](http://www.lechler.com)

## Nipple order no. 095.016.30.14.23.0

Material: Brass (Ms 30)

The following nozzles are suitable in connection with compressed air guns:

- 600. 130
- 600. 283
- 600. 493



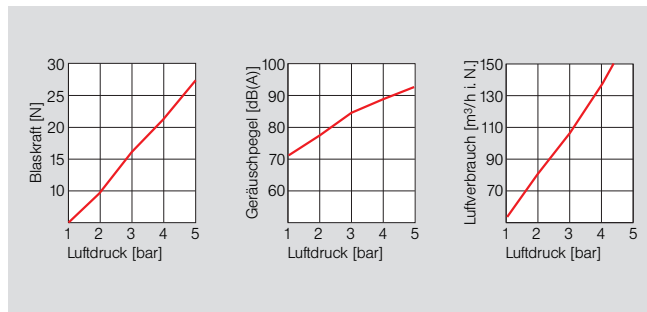
## Multiple Nozzle Base order no. 600. 130. 56. 05 with 5 Whisperblast nozzles type 600. 130. 56. BC

Materials:  
 Nozzles: POM,  
 Nozzle base: PVC

Thread: G 3/8" BSPP

### Applications:

- Cover big working ranges
- Air curtain



Lechler is also your partner for all liquid atomization applications.

Our new catalogue includes a wide range of products in an unsurpassed quality. Most of the products can be delivered immediately ex stock.

Please ask for it!

