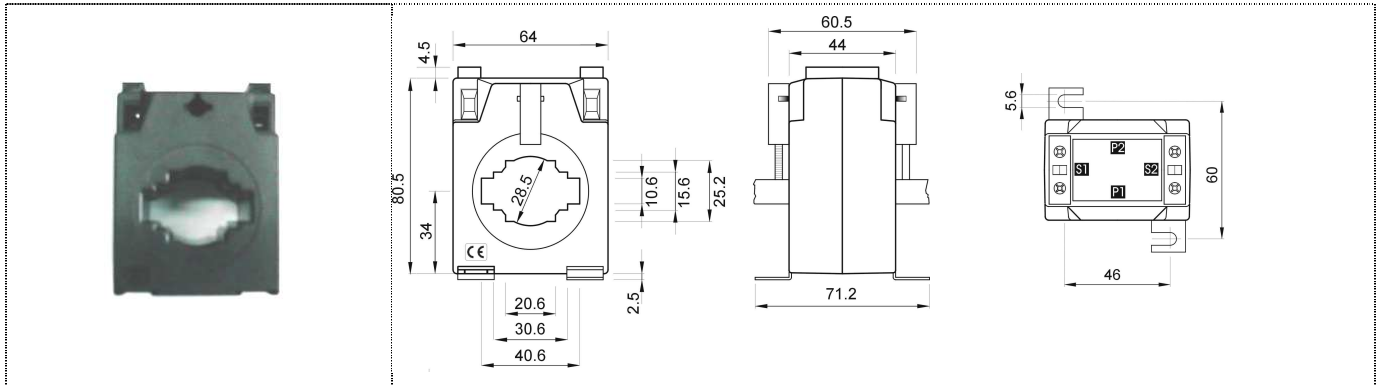


PRODUCT

TC 6 200-400-600/5



DESCRIPTION	Indoor current transformer
SECONDARY	Terminal TC
Short Circuit Thermal current (I_{th})	60 In
DYNAMIC CURRENT (I_{dyn})	2.5 I _{th}
ISULATION VOLTAGE	0.72/3/- kv
PRIMARY	Cable. Ø28 mm, Bus-Bar 40x10 mm, 30x15 mm, 25x20 mm
HOUSING	Case TC6. Selfextinguishing black plastic V0 class B(130°C)
ACCESORIES	Fixation TC 6
	Terminal Cover TC 6 (optional)
	DIN rail fixation (optional)
LABELED	Polyester label 26x38 mm TC
PACKING	Box cardboard TC 6 64,7x93,5x45,6 mm.
STANDARD	IEC 60044-1

	RATIO	CL. 1
S1-S2	200/5 A	5VA
S1-S3	400/5 A	5VA
S1-S4	600/5 A	5VA