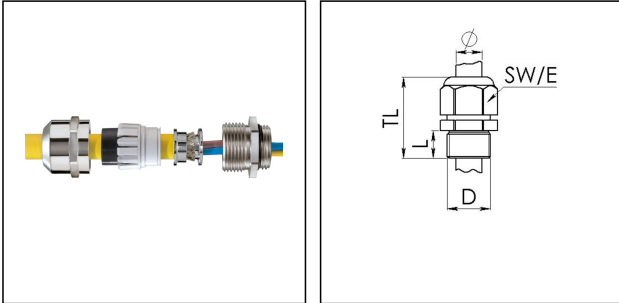


EMSKV 63-75 EMV-Z

EMC-enlargement cable gland, brass



Product illustrations are exemplary and may differ from the chosen product. Further variants and individual customization, we will gladly provide you on request.



Material cable gland	Brass nickel-plated
Material sealing gasket	EPDM
Material clamping cage	Polyamide
Material earthing insert	Brass chromium-plated
Temp. range min	-40 °C
Temp. range max	100 °C
Intermittent temp. range	120 °C
Protection class	IP 69K, IP 68, 5 bar 30 min
Thread type	M
Ø Connection thread D	63
Lead	1,5
Length screw-in thread L	10 mm
Ø cable diameter min	48 mm
Ø cable diameter max	63 mm
Ø cable below cable shield	58 mm
Key width SW	82 mm
Collar diameter (E)	90 mm
Total length TL	65 mm - 79 mm
Install. torques cap nut	40 N m
Install. torques fitting	40 N m
Surface	Nickel-plated
Order no. nickel-plated	10103318
Packing unit	1
Type	EMSKV 63-75 EMV-Z

Recommended accessories

BS 63

10064020

27.05.2016

