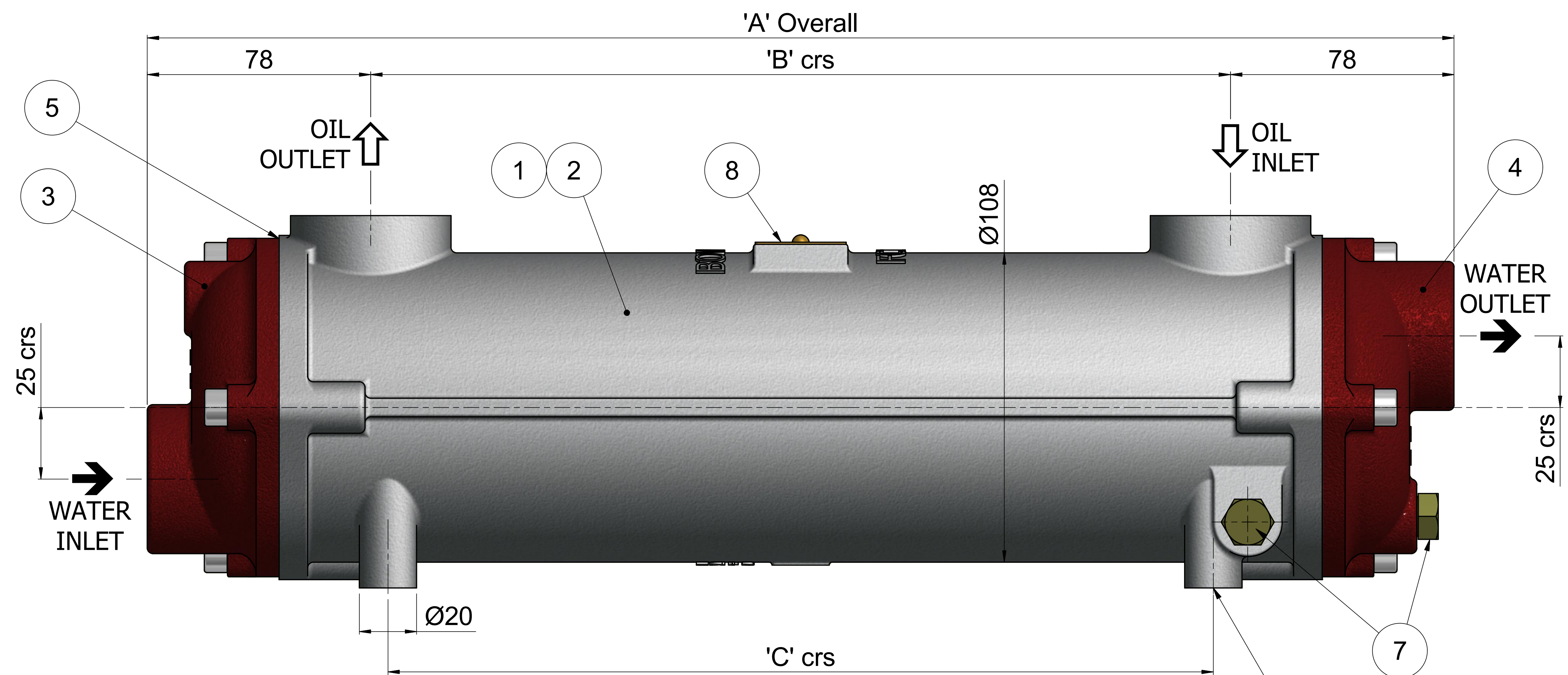
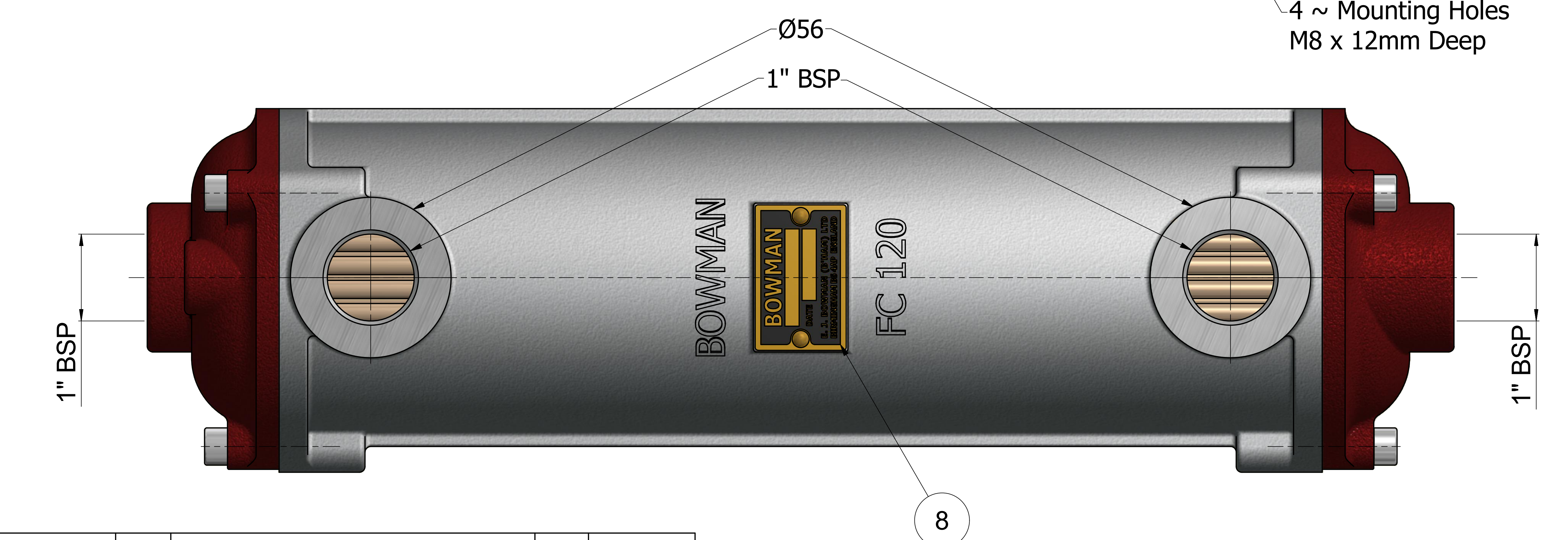
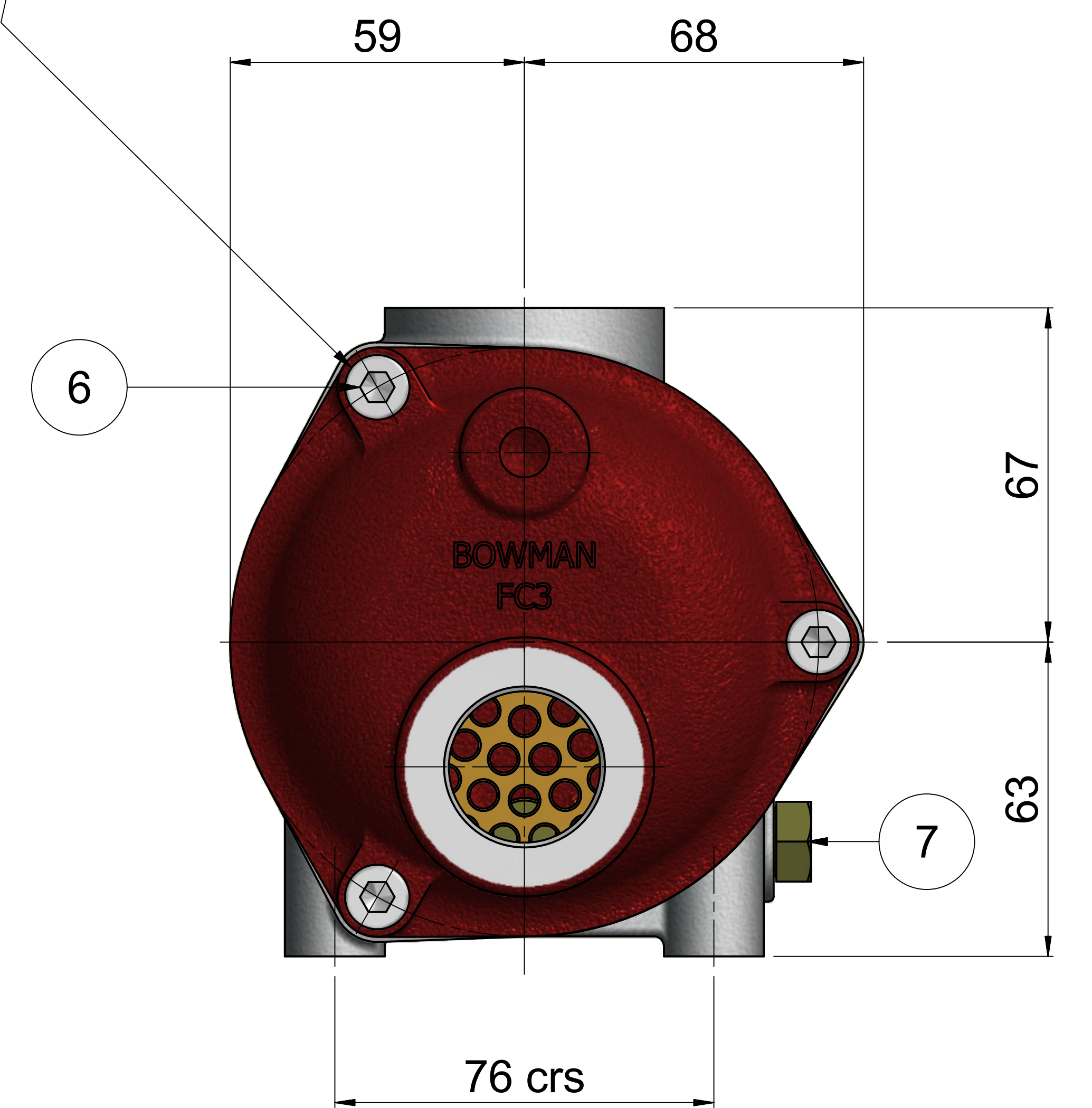


THIS DRAWING IS STRICTLY PRIVATE AND CONFIDENTIAL AND IS THE SOLE PROPERTY OF E.J. BOWMAN (BIRMINGHAM) LTD. IT IS SUBJECT TO BOTH COPYRIGHT AND DESIGN RIGHT PROTECTION. ANY REPRODUCTION OF THIS DRAWING IN PART OR WHOLE SHALL BE MADE ONLY WITH THE WRITTEN CONSENT OF A DIRECTOR OF THE COMPANY.



3 ~ Socket Screws M8 x 35mm Long Each End, Removal Of These Will Enable The End Cover And Tube Stack To Be Removed. Screw Tightening Torque - 22Nm

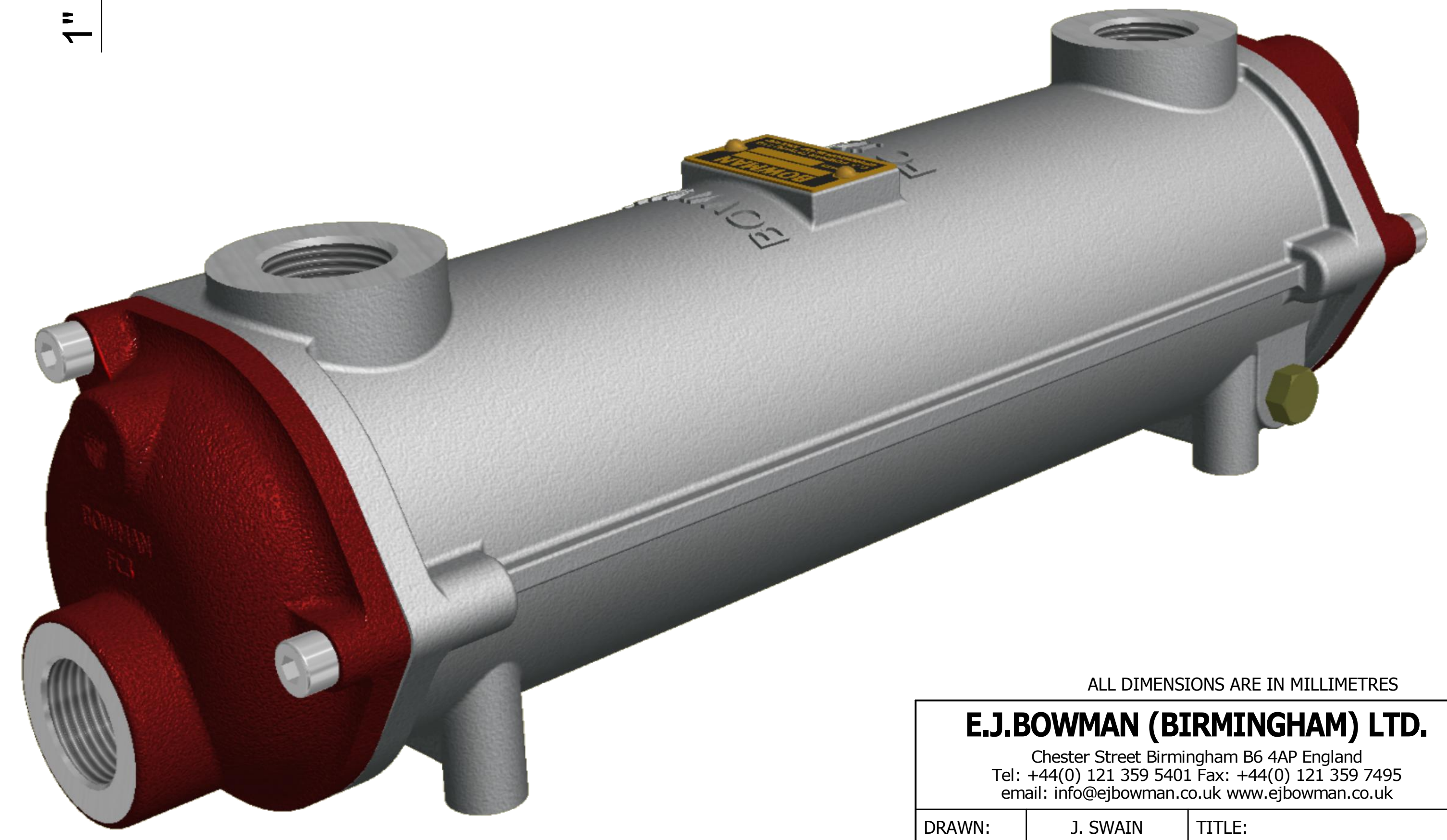


4 ~ Mounting Holes M8 x 12mm Deep

FC Range Dimensions			
TYPE	'A'	'B'	'C'
FC080-1	272	116	104
FC100-2	358	202	190
FC120-3	456	300	288
FC140-4	584	428	288
FC160-5	730	574	434

Part No.	Drg No.	Qty	Description	Item	Material
3594	3594	1	NAME PLATE	8	Br
915M	915	2	DRIAN PLUG - 1/4" BSP	7	MS
HS08X35	-	6	SOCKET SCREW - M8 x 35mm	6	MS
OS46NT	3297	2	'O' RING SEAL	5	NITRILE
FC003-1281CI-DR	1281CI	1	FC3 END COVER - 1" BSP - WITH DRAIN	4	CI
FC003-1281CI	1281CI	1	FC3 END COVER - 1" BSP - WITHOUT DRAIN	3	CI
1530-5TN1A	1530-5	1	TUBE STACK FC160 - NF	2	CN 90/10
1530-4TN1A	1530-4	1	TUBE STACK FC140 - NF	2	CN 90/10
1530-3TN1A	1530-3	1	TUBE STACK FC120 - NF	2	CN 90/10
1530-2TN1A	1530-2	1	TUBE STACK FC100 - NF	2	CN 90/10
1530-1TN1A	1530-1	1	TUBE STACK FC80 - NF	2	CN 90/10
FC016-1200-5AL	1200-5	1	FC16 BODY (FC160) - 1" BSP	1	AL - LM6M
FC014-1200-4AL	1200-4	1	FC14 BODY (FC140) - 1" BSP	1	AL - LM6M
FC012-1200-3AL	1200-3	1	FC12 BODY (FC120) - 1" BSP	1	AL - LM6M
FC010-1200-2AL	1200-2	1	FC10 BODY (FC100) - 1" BSP	1	AL - LM6M
FC008-1200-1AL	1200-1	1	FC8 BODY (FC80) - 1" BSP	1	AL - LM6M

NF - Normal Flow
Refer To Works Order For Variations



ALL DIMENSIONS ARE IN MILLIMETRES

E.J.BOWMAN (BIRMINGHAM) LTD.
 Chester Street Birmingham B6 4AP England
 Tel: +44(0) 121 359 5401 Fax: +44(0) 121 359 7495
 email: info@ejbowman.co.uk www.ejbowman.co.uk

DRAWN:	J. SWAIN	TITLE:	FC RANGE OF HEAT EXCHANGERS	
DATE:	14/03/2014	DRG No:		1426
REDRAWN:				
DATE:				
CHECKED:				
SCALE:	1:25:1			

For Revision History Refer To Chart Drawing '5000-0'