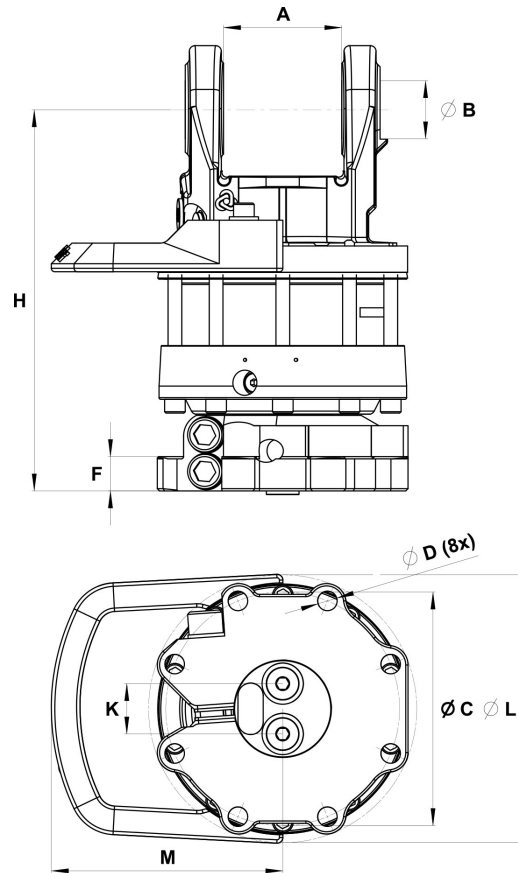
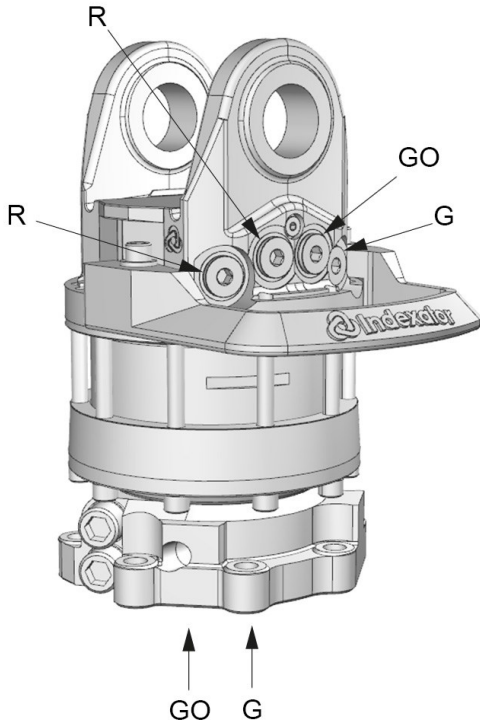











GV 12 R8

Part No.: 5112189



Upper connection	Lower connection
7/8"-14 UNF	G 3/4

A: 103,2 mm	B: Ø50,8 mm	C: Ø204 mm	D: Ø17 mm	F: 30 mm	H: 333 mm	K: 38,5 mm	L: Ø234 mm	M: 202 mm
----------------	----------------	---------------	--------------	-------------	--------------	---------------	---------------	--------------

 60.5 kg	 360°	 Max 100 kN	 Max 50 kN	 2200 Nm	 Max 25 l/min	 Max 25 MPa	 Max 25 MPa	 Max 25 MPa
--	---	--	---	--	---	--	--	--

We reserve the right to make product changes. For further technical information relating to integration and hydraulic connections, please contact rotator@indexator.com