

Unità di potenza pneumo-idraulica – versione UPS

Pneumo-hydraulic power unit – UPS version



Versione in linea

6 potenze disponibili da 12 a 471 kN
 pressione aria 6 – 9 bar
 corsa totale 50-100-200 mm
 corsa lavoro 6 – 15 mm
 corse speciali a richiesta

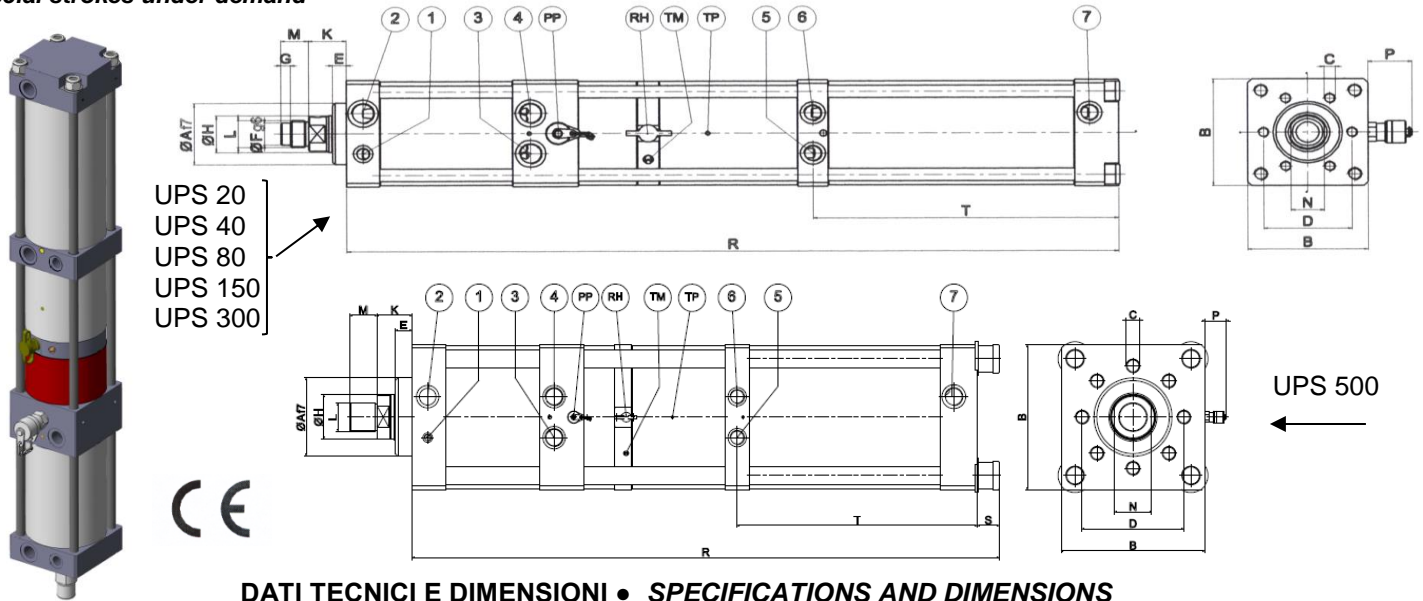
In line version

6 powers available from 12 to 471 kN
 6 or 9 bar air pressure
 50-100-200 mm total stroke
 6 - 15 mm work stroke
 special strokes under demand

DATI TECNICI E DIMENSIONI • SPECIFICATIONS AND DIMENSIONS

| versione version | sforzo force max kN | ① | ② | ③ | ④ | ⑤ | ⑥ | ⑦ |
|---------------------|---------------------------|-----|-----|-----|-----|-----|-----|-----|
| UPS.20 | 19 | 1/8 | 1/4 | 1/4 | 1/4 | 1/8 | 1/4 | 1/4 |
| UPS.40 | 35 | | 3/8 | 3/8 | 3/8 | 1/4 | | |
| UPS.80 | 82 | | 1/2 | 1/2 | 1/2 | 3/8 | 3/8 | 3/8 |
| UPS.150 | 140 | | | | | 1/2 | 1/2 | 1/2 |
| UPS.300 | 301 | | | | | | | |
| UPS.500 | 471 | | 3/4 | 3/4 | 3/4 | 1/2 | 1/2 | 1/2 |

LEGGENDA PAG.1



DATI TECNICI E DIMENSIONI • SPECIFICATIONS AND DIMENSIONS

| versione version | pressione max air pressure bar | potenza power kN | corsa totale total stroke mm | corsa lavoro work stroke mm | sforzo lavoro work effort kn 6 9 | sforzo avvicinam. approach. effort daN – 6 bar | sforzo ritorno return effort daN– 6 bar | Ø A | B | C | D | E | Ø F | G | Ø H | K | L | M | N | P | R | S | T | |
|---------------------|---|------------------------|--|---|---|--|--|------|-----|-----|---------|-----|-----|----|-----|----|------|-----------|----|----|----|---------------------|----|-------|
| UPS | 6 | - | 050 100 200 | 6 | 19 | - | 182 | 168 | 40 | 71 | 6M8X12 | 54 | 10 | - | - | 20 | 26 | M16 X 1,5 | 15 | 16 | 38 | 479 | - | 180 |
| | - | 9 | 050 100 150 200 | 12 | 12,7 | 17,6 | | | | | | | | | | | | | | | | 479 591 825 | | |
| UPS | 6 | - | 050 100 200 | 6 | 35 | - | 250 | 220 | 50 | 87 | 6M8X15 | 64 | 10 | 18 | 7 | 30 | 28,5 | M22 X 2 | 20 | 24 | 38 | 558 | - | 221 |
| | - | 9 | 050 100 200 | 12 | 23,8 | 35,7 | | | | | | | | | | | | | | | | 558 670 907 | | |
| UPS | 6 | - | 050 100 200 | 6 | 82 | - | 450 | 375 | 70 | 111 | 6M10X16 | 88 | 10 | 26 | 7 | 45 | 35 | M30X2 | 25 | 36 | 38 | 577 | - | 237 |
| | - | 9 | 050 100 200 | 12 | 46 | 69 | | | | | | | | | | | | | | | | 577 701 951 | | |
| UPS | 6 | - | 050 100 200 | 6 | 140 | - | 700 | 618 | 75 | 136 | 6M16X25 | 100 | 15 | 26 | 7 | 50 | 36 | M30X2 | 25 | 41 | 38 | 638 | - | 282 |
| | - | 9 | 050 100 200 | 12 | 90 | 135 | | | | | | | | | | | | | | | | 638 770 1034 | | |
| UPS | 6 | - | 050 100 200 | 10 | 301 | - | 1125 | 1036 | 100 | 170 | 6M20X30 | 132 | 18 | - | - | 60 | 47 | M39X2 | 35 | 52 | 38 | 853 | - | 407,5 |
| | - | 9 | 050 100 200 | 15 | 193 | 290 | | | | | | | | | | | | | | | | 853 1016 1284 | | |
| UPS | 6 | - | 050 100 200 | 6 | 471 | - | 1884 | 1685 | 115 | 212 | 8M20X30 | 150 | 25 | - | - | 65 | 52 | M42X2 | 40 | 55 | 38 | 866 | 32 | 354,5 |
| | - | 9 | 050 100 200 | 12 | 287 | 431 | | | | | | | | | | | | | | | | 866 1012 1314 | | |

Unità di potenza pneumo-idraulica – versione UPS

Pneumo-hydraulic power unit – UPS version



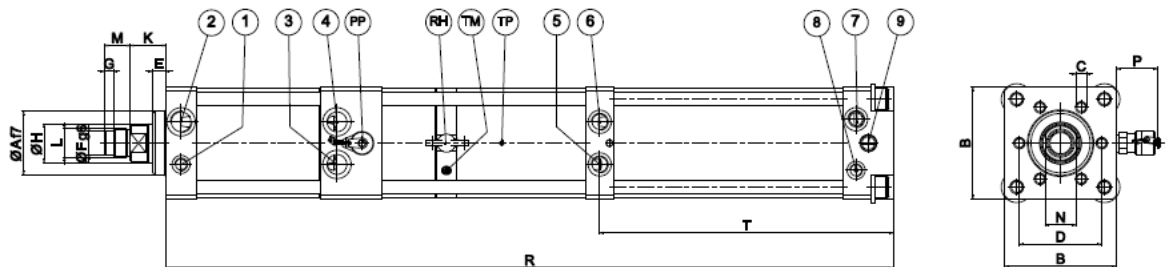
VERSIONE “NG” “NG”VERSION

DATI TECNICI E DIMENSIONI • SPECIFICATIONS AND DIMENSIONS

| versione version | sforzo force max kN | ① | ② | ③ | ④ | ⑤ | ⑥ | ⑦ | ⑧ | ⑨ |
|---------------------|---------------------------|-----|-----|-----|-----|-----|-----|-----|-----|-----|
| UPS.20 NG | 19 | 1/8 | 1/4 | 1/4 | 1/4 | 1/8 | 1/4 | 1/4 | 1/8 | 1/4 |
| UPS.40 NG | 35 | | 3/8 | 3/8 | 3/8 | 1/4 | | | | 1/2 |
| UPS.80 NG | 82 | | 1/2 | 1/2 | 1/2 | 3/8 | 3/8 | 1/2 | | 1/2 |
| UPS.150 NG | 140 | | | | | | | | | |



LEGENDA PAG.1



DATI TECNICI E DIMENSIONI • SPECIFICATIONS AND DIMENSIONS

| versione version | pressione max aria max air pressure bar | potenza power kN | corsa totale total stroke mm | corsa lavoro work stroke mm | sforzo lavoro work effort kn 6 9 | sforzo avvicinam. approach. effort daN – 6 bar | sforzo ritorno return effort daN – 6 bar | Ø A | B | C | D | E | ØF | G | ØH | K | L | M | N | P | R | S | T |
|---------------------|---|------------------------|--|---|---|--|---|--------|-----|---------|-----|----|----|---|----|------|-----------|----|----|----|-----|---|-----|
| UPS | 6 | - | 050 100 200 | 6 | 19 | - | 182 | 40 | 71 | 6M8X12 | 54 | 10 | - | - | 20 | 26 | M16 X 1,5 | 15 | 16 | 38 | 488 | - | 189 |
| | - | 9 | 050 100 150 200 | 12 | 12,7 | 17,6 | | | | | | | | | | | | | | | 600 | | |
| UPS | 6 | - | 050 100 200 | 6 | 35 | - | 250 | 50 | 87 | 6M8X15 | 64 | 10 | 18 | 7 | 30 | 28,5 | M22 X 2 | 20 | 24 | 38 | 565 | - | 228 |
| | - | 9 | 050 100 200 | 12 | 23,8 | 35,7 | | | | | | | | | | | | | | | 677 | | |
| UPS | 6 | - | 050 100 200 | 6 | 82 | - | 450 | 70 | 111 | 6M10X16 | 88 | 10 | 26 | 7 | 45 | 35 | M30X2 | 25 | 36 | 38 | 577 | - | 237 |
| | - | 9 | 050 100 200 | 12 | 46 | 69 | | | | | | | | | | | | | | | 701 | | |
| UPS | 6 | - | 050 100 200 | 6 | 140 | - | 700 | 75 | 136 | 6M16X25 | 100 | 15 | 26 | 7 | 50 | 36 | M30X2 | 25 | 41 | 38 | 638 | - | 282 |
| | - | 9 | 050 100 200 | 12 | 90 | 135 | | | | | | | | | | | | | | | 770 | | |