

2" 1/2 VALVES



SCREW CONNECTION AE1460B With Pilot Group

The classic 90° valve with female thread



PRODUCT CERTIFICATIONS

STANDARD



OPZIONALI



VALVE TECHNICAL FEATURES

Features	Values
In	2" 1/2 Gas
Out	2" 1/2 Gas
Working Pressure	1,5-8 bar
Standard Temperature Range	-40 °C ; +100 °C
High Range Temperature	-20 °C ; +200 °C
Kv	114 m ³ /h
Weight	3.28 kg
Protection Level	IP65

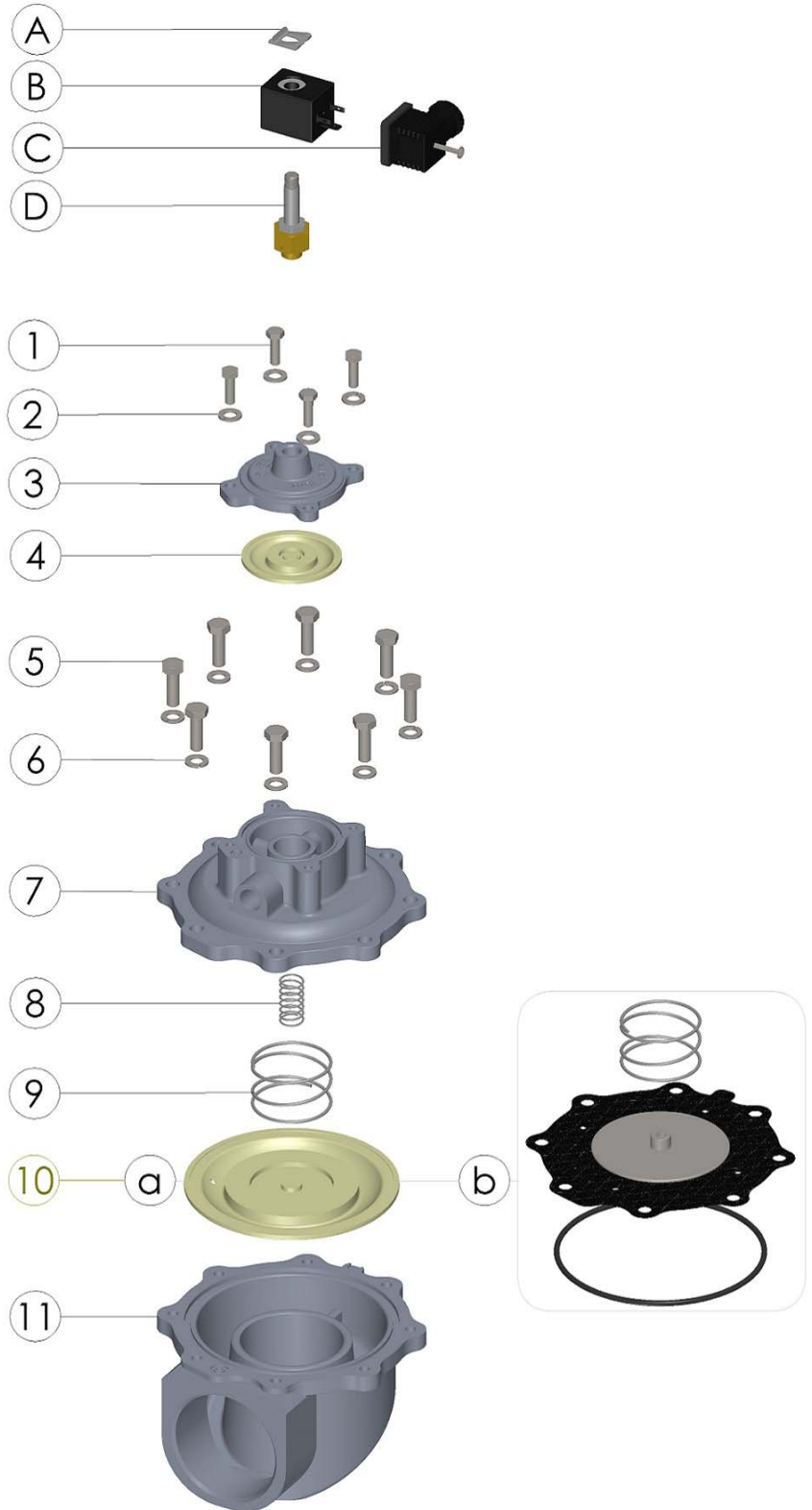
VALVE TECHNICAL FEATURES

Features		Values
Air quality classes (ISO 8573-1)	For Solid	2
	For Water with $T > +3^{\circ}\text{C}$	4
	For Water with $-20^{\circ}\text{C} < T < +3^{\circ}\text{C}$	3
	For Water with $-40^{\circ}\text{C} < T < -20^{\circ}\text{C}$	2
	For Oil	1

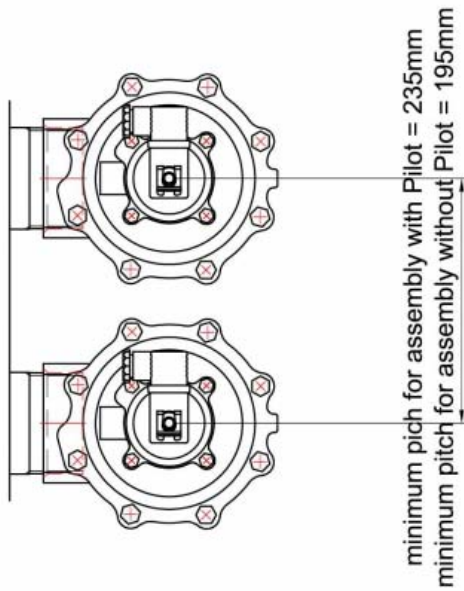
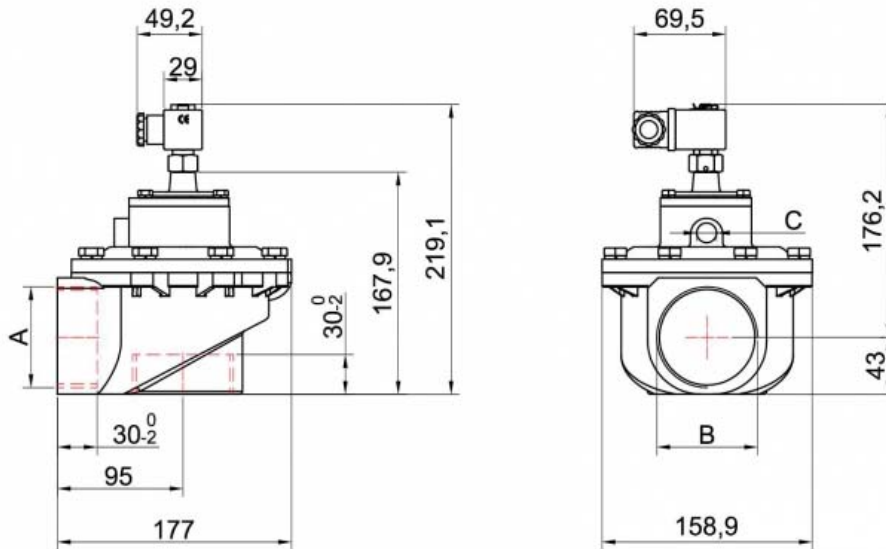
PARTS LIST

No.	Description	Material
A	Clip	CS Galvanized
B	Coil	PA
C	Connector	PA + NBR
D	Pilot	SS + Brass
1	Screw M6	SS
2	Washer	SS
3	Cover 3/4"	Die Cast Alu
4	Diaphragm 3/4"	TPE
5	Screw M8	SS
6	Washer	SS
7	Cover 2" 1/2	Die Cast Alu
8	Spring	SS
9	Spring	Spring
11	Body 2" Screw	Die Cast Alu
10a	STD Diaphragm 2"1/2	TPE
10b	HT Diaphragm 2" 1/2Kit	VITON+PTFE

Immagine



DIMENSIONAL LAYOUT



HOLES CHARACTERISTICS

HOLES	STANDARD	OPTIONAL
A	2 1/2" G (ISO 228/1)	-
B	2 1/2" G (ISO 228/1)	-
C	3/8" G (ISO 228/1)	-

CONSUMPTION GRAPHS

