

Technical data sheet

Type 812

Non-return valve

W System

Applications and special features



- Operates in any position
- Easy to install and dismantle, space-saving
- Minimum head loss
- Does not generate hammering
- Closing system : disc with parabolic edges with return spring ; lateral guiding by 3 or 4 ribs (DN 15 to 100).
- Closing system with back axial guiding and return spring (ND 125 to 200).
- Metal/metal seal (machined trim)
- Using these check valves on networks equipped with piston pumps or compressors is not recommended.
- Within an ATEX area, please check that the network is connected to the braid, do not use isolating pipes (PVC).

Technical description

| DN " | DN mm | PN | PFA en bar | | | PS en bar | | | Cat. | Références | Vvs-nr |
|------------------|----------|-------|---------------|----|----|-----------|----|-----|--------------|------------|--------|
| | | | L1 | L2 | G1 | G2 | L1 | L2 | | | |
| 1/2 | 15 | 40 | 40 | 40 | 40 | 40 | 40 | 3.3 | 149B 2420 | | |
| 3/4 | 20 | 40 | 40 | 40 | 40 | 40 | 40 | 3.3 | 149B 2421 | | |
| 3/4 | 20 | 40 | 40 | 40 | 40 | 40 | 40 | II | 149B 2421C2* | | |
| 1 | 25 | 40 | 40 | 40 | 40 | 40 | 40 | 3.3 | 149B 2422 | | |
| 1 | 25 | 40 | 40 | 40 | 40 | 40 | 40 | II | 149B 2422C2* | | |
| 1 ^{1/4} | 32 | 40 | 40 | 40 | 40 | 30 | 40 | I | 149B 2423 | | |
| 1 ^{1/4} | 32 | 40 | 40 | 40 | 40 | 40 | 40 | II | 149B 2423C2* | | |
| 1 ^{1/2} | 40 | 40 | 40 | 40 | 40 | 25 | 40 | I | 149B 2424 | | |
| 1 ^{1/2} | 40 | 40 | 40 | 40 | 40 | 40 | 40 | II | 149B 2424C2* | | |
| 2 | 50 | 40 | 40 | 40 | 40 | 20 | 40 | I | 149B 2425 | | |
| 2 | 50 | 40 | 40 | 40 | 40 | 40 | 40 | II | 149B 2425C2* | | |
| 2 ^{1/2} | 65 | 40 | 40 | 30 | 40 | 15 | 40 | I | 149B 2426 | | |
| 2 ^{1/2} | 65 | 40 | 40 | 40 | 40 | 40 | 40 | II | 149B 2426C2* | | |
| 3 | 80 | 40 | 40 | 25 | 40 | 12 | 40 | I | 149B 2427 | | |
| 3 | 80 | 40 | 40 | 40 | 40 | 40 | 40 | II | 149B 2427C2* | | |
| 4 | 100 | 40 | 40 | 20 | 40 | 10 | 40 | I | 149B 2428 | | |
| 4 | 100 | 40 | 40 | 40 | 40 | 40 | 40 | II | 149B 2428C2* | | |
| 5 | 125 | 40 | 40 | 16 | 40 | 0,5 | 28 | I | 149B 2429 | | |
| 5 | 125 | 40 | 40 | 40 | 28 | 40 | 40 | II | 149B 2429C2* | | |
| 6 | 150 | 40 | 40 | 13 | 40 | 0,5 | 23 | I | 149B 2430 | | |
| 6 | 150 | 40 | 40 | 40 | 23 | 33 | 33 | II | 149B 2430C2* | | |
| 8 | 200 | 16 | 16 | 16 | 16 | 16 | 16 | II | 149B 2431* | | |
| 8 | 200 | 25/40 | 40 | 40 | 17 | 25 | 25 | II | 149B 2432* | | |
| 8 | 200 | 25/40 | 40 | 40 | 17 | 25 | 25 | II | 149B 2432 | | |

Important notice:

The indicated pressure for the different categories of fluids (L1/L2/G1/G2) is under no condition a guarantee of use. Therefore, it is essential to validate the use of products under given operating conditions.

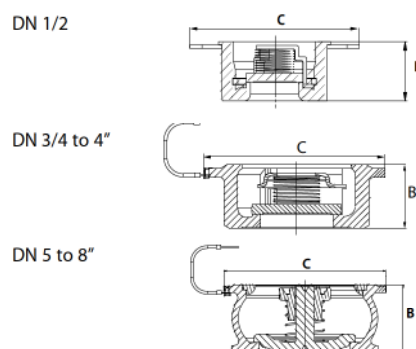
The operating instructions are available on our web site www.socla.com or by requesting from our sales department.

* : Equipped with a discharge anti-static braid

- **Connections** : between flanges PN see table
- **Permissible operating pressure PFA - water-** (for supply, distribution and disposal of water) : See table
- **Maximum Permissible pressure PS - other mediums**: See table
- **θ** Mini. -10 °C
Maxi. 350 °C
- **Mediums** : Clear liquids
- **Leakage rate** : according to EN 12266-1 rate E
- **Approvals** : ACS CE PED 01120/CE (except DN15)
- **International construction Standards** :
 - CE Conformity Directive 97/23/CE
 - CE ATEX Conformity Directive 94/9/CE
 - Connection according to ASA B16.1 class 125RF
 - Connection according to ASA B16.5 class 150RF and 300RF
 - Connection according to EN 1092.2
 - Overall dimensions according to EN558-1 series 49

Overall dimensions

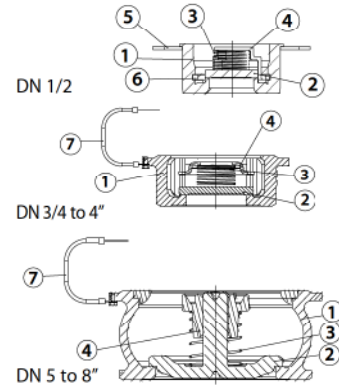
| DN " | DN mm | B mm | C - PN6 mm | C - PN10/16/ ASA150 mm | C - PN25/40/ ASA300 mm | Weight kg |
|------------------|----------|---------|---------------|------------------------------|------------------------------|--------------|
| | | | | | | |
| 3/4 | 20 | 19 | 54 | 63 | 63 | 0,14 |
| 1 | 25 | 22 | 64 | 73 | 73 | 0,23 |
| 1 ^{1/4} | 32 | 28 | 78 | 84 | 84 | 0,35 |
| 1 ^{1/2} | 40 | 31,5 | 88 | 94 | 94 | 0,52 |
| 2 | 50 | 40 | 98 | 109 | 109 | 0,73 |
| 2 ^{1/2} | 65 | 46 | 118 | 129 | 129 | 1,52 |
| 3 | 80 | 50 | 134 | 144 | 144 | 2,17 |
| 4 | 100 | 60 | 154 | 162 | 170 | 3,35 |
| 5 | 125 | 90 | - | 192 | 192 | 8,55 |
| 6 | 150 | 106 | - | 218 | 224 | 12,70 |
| 8 | 200 | 140 | 262 | 273 | - | 29,50 |
| 8 | 200 | 140 | - | - | 284 | 30,00 |



Technical data sheet Type 812 - Non-return valve

Spare parts list and materials

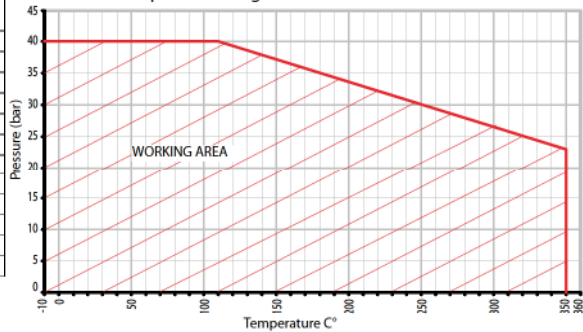
| Nb | Description | Materials | EURO | ANSI |
|----|------------------------------------|--------------------------------------|------------------|-----------|
| 1 | CASING DN15 | Stainless steel | X5CrNi18-10 | AISI 304 |
| | DN20 to 65 | Stainless steel | GX5CrNi19-10 | AISI 304 |
| | DN80 to 100 | Stainless steel | GX2CrNiMo19-11-2 | AISI 316L |
| | DN125 to 200 | Stainless steel | GX5CrNi19-10 | AISI 304 |
| 2 | CLOSING SYSTEM DN15 to 100 | Stainless steel | X2CrNiMo17-12-2 | AISI 316L |
| | DN125 to 200 | Stainless steel | GX5CrNi19-10 | AISI 304 |
| 3 | SPRING | Stainless steel | X10CrNi18-8 | AISI 302 |
| 4 | STOP / GUIDE DN15 | Stainless steel | X2CrNiMo17-12-2 | AISI 316L |
| | DN 20 to 100 | Stainless steel | X2CrNi18-9 | AISI 304L |
| | DN125 to 150 | Stainless steel | GX2CrNiMo19-11-2 | AISI 316L |
| | DN 200 | Stainless steel | GX5CrNi19-10 | AISI 304 |
| 5 | CENTERING COLLAR DN 15 OTHER DN | Stainless steel Bichromated steel | X2CrNi18-9 | AISI 304L |
| 6 | CLIPS | Stainless steel | X10CrNi18-8 | AISI 302 |
| 7 | DISCHARGE ANTI-STATIC BRAID | Copper | | |



Working principle

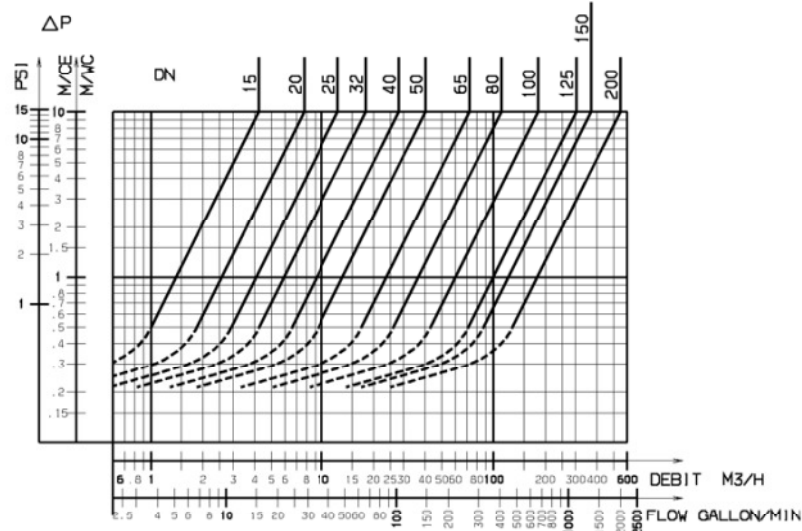
| DN | Opening pressure mm/WC | | | | | Kv | ζ |
|------------------|------------------------|-----|-----|----------------|-------------------|--------|-----|
| | ↑ | ↓ | ↔ | without spring | m ³ /H | | |
| 1/2 | 15 | 160 | 120 | 140 | 20 | 4,24 | 4,4 |
| 3/4 | 20 | 165 | 125 | 145 | 20 | 7,80 | 4,1 |
| 1 | 25 | 165 | 115 | 140 | 25 | 12,40 | 4,0 |
| 1 ^{1/4} | 32 | 190 | 130 | 160 | 30 | 18,00 | 5,0 |
| 1 ^{1/2} | 40 | 200 | 120 | 160 | 40 | 28,00 | 5,1 |
| 2 | 50 | 210 | 110 | 155 | 50 | 40,10 | 6,1 |
| 2 ^{1/2} | 65 | 210 | 100 | 155 | 55 | 72,50 | 5,3 |
| 3 | 80 | 226 | 95 | 160 | 65 | 111,00 | 5,2 |
| 4 | 100 | 235 | 75 | 205 | 80 | 182,00 | 4,7 |
| 5 | 125 | 335 | 75 | 205 | 130 | 302,00 | 4,2 |
| 6 | 150 | 360 | 70 | 215 | 145 | 370,00 | 5,8 |
| 8 | 200 | 515 | 105 | 310 | 205 | 546,00 | 8,4 |

Pressure/Temperature Diagram



Direction for use :

- Solid line : Valve completely open
- Dotted line : opening stage of valve



Socla can accept no responsibility for possible errors in catalogue, brochures and other printed material. Socla reserve the right to alter its products without notice. This also applies to products already agreed. All trademarks in this material are the property of the respective companies. All right reserved.

Socla SAS

365 rue du lieutenant Putier
71530 VIREY LE GRAND
Postal address : CS 10273
71107 CHALON SUR SAONE Cedex

Tel : 33 3 85 97 42 52
Fax : 33 3 85 97 42
<http://www.socla.com>
e-mail: commerfr@socla.com