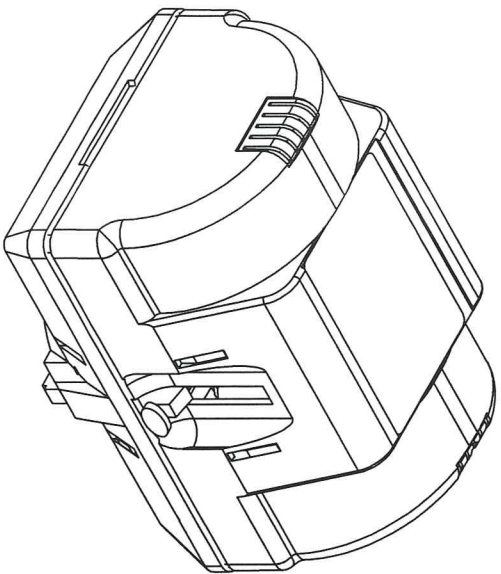
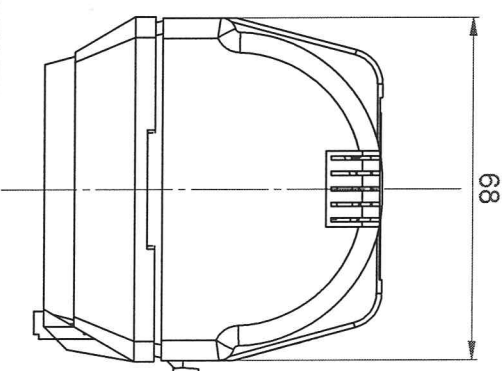
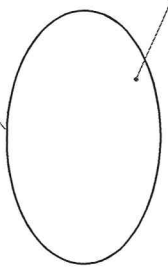
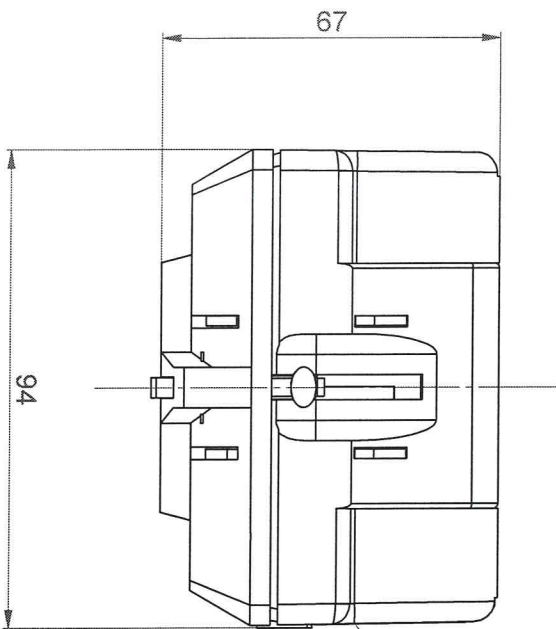


CONNETTORE RAPIDO MOLEX  
 COD.: A-569-06A2



**CARATTERISTICHE FUNZIONALI**

- GRADO DI PROTEZIONE IP40 NORME IEC 529
  - MAX TEMPERATURA AMBIENTE 60 °C
  - POTENZA ASSORBITA 4 W
  - TENSIONE DI ALIMENTAZIONE NOMINALE 200-240 Vac; 50/60 Hz
  - TEMPO DI COMMUTAZIONE VIE 6 SECONDI
  - IMBALLO SINGOLO
- MATERIALI**
- STAFFA MOTORE PPS
  - COPERCHIO MOTORE ABS AUTOESTINGUENTE UL 94 VO

**FUNCTIONAL FEATURES**


- PROTECTION DEGREE IP40 IEC 529 NORMATIVE
  - MAX ENVIRONMENT TEMPERATURE 60 °C
  - ABSORBED POWER 4 W
  - TENSION OF THE NOMINAL POWER 200-240 Vac; 50/60 Hz
  - MAYS COMMUTATION TIME 6 SECONDS
  - SINGLE PACKAGE
- MATERIALS**
- MOTOR STRRUP PPS
  - MOTOR LID SELF EXTINGUISHING ABS UL 94 VO

SCALE	VALORI ANGOLARI	ANGULAR VALUES	±30°
1:1	10°	> 3	> 30
	5°	3-5	30-120
	2°	5-10	120-400
	1°	10-15	400-1000
	0.5°	15-20	1000-2000
	0.2°	20-30	2000-4000
	0.1°	30-45	4000-10000

TOLLERANZE GENERALI	GENERAL TOLERANCES
PLASTICA	PLASTIC
±0.16	±0.17
±0.25	±0.4
±0.4	±1
±2.5	
METALLO	METAL
±0.05	±0.05
±0.1	±0.1
±0.15	±0.2
±0.2	±0.3
±0.3	±0.5
±0.8	±1.2
±2	±2

MATERIALE / MATERIAL	DISEGN. DALLA BARBA	DATA
		17/1/2006
	COUNT. CHECK	DATA DATE
	CORRISPONDE ACCORRESPONDS TO	
	SOSTITUISCIE US/SUBSTITUTES	
	SOSTITUITO DAI/SUBSTITUTED BY	

  
 Full D. meccanica s.p.a.  
 Montecatini Terme  
 38075 (VI) ITALY  
**MOTORE VALVOLOA VMR SPST CR**  
**230V 1PZ**

Referred to law terms, MUT SpA reserves the ownership on the drawing and prohibits to reproduce or communicate it without authorization.  
 DISEGNO / DRAWING  
**7.013.00401-01**  
 DIMENSIONI IN mm  
 DIMENSIONS IN mm

