

MUSHROOM TYPE PUSH BUTTON CONTROL UNITS

series
DP - DFP

Protection	Gas	1-2	II2G	Ex d IIC or IIB+H ₂ Gb
	Dusts	Zone 21-22	II2D	Ex tb IIIC Db

Grade of Protection	IP 66
---------------------	-------

Amb. Temp.	Standard	-20°C	+40°C
	Extended	-50°C	+80°C



Standards and Certificates



94/9/CE ATEX Directive

EN 60079-0 • EN 60079-1 • EN 60079-31

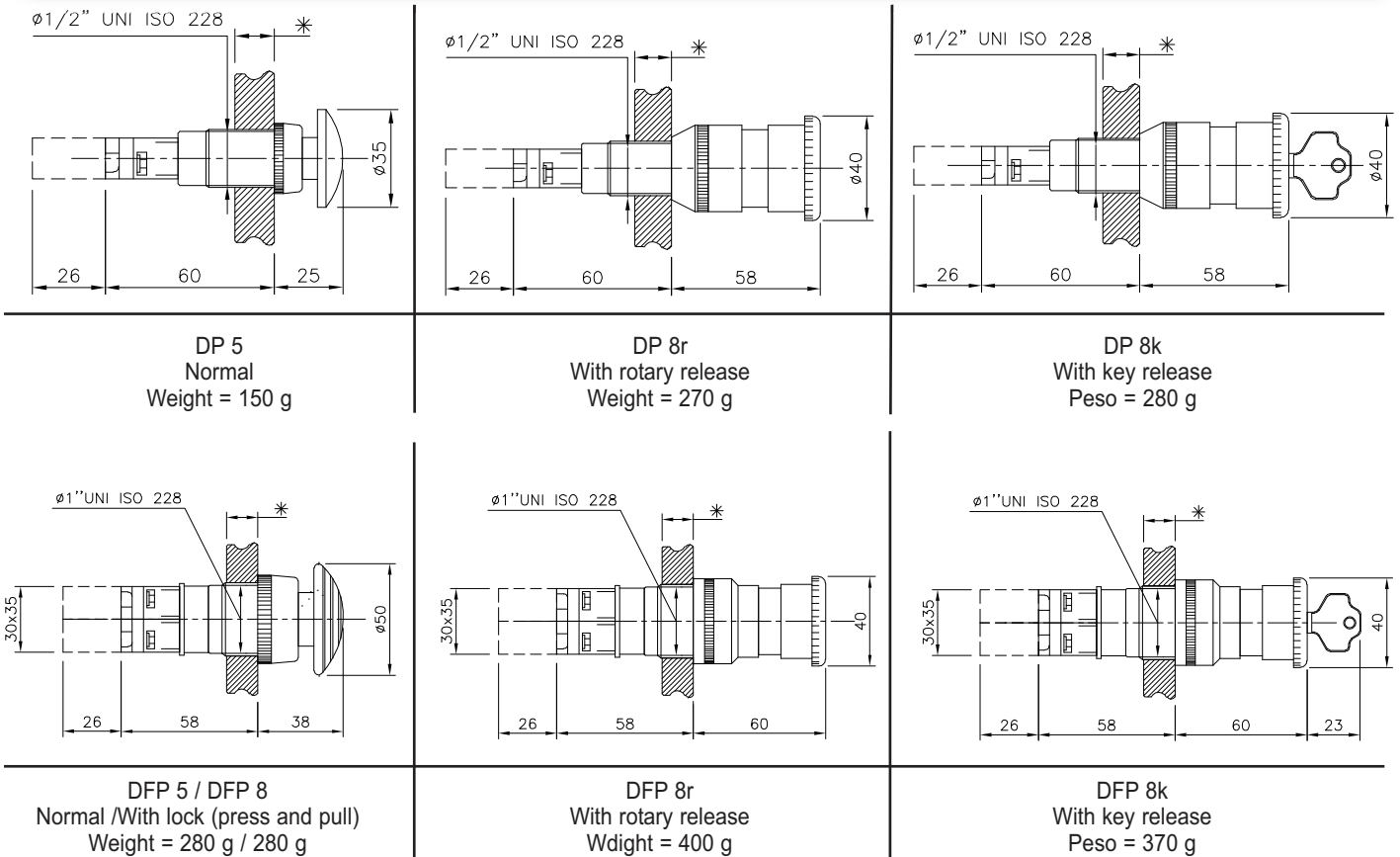
U INERIS 14 ATEX 9009U



IEC 60079-0 • IEC 60079-1 • IEC 60079-31

IECEX INE 14.0023U

- For COELBO enclosures series CCA - CCF (see section B)
- The 1/2" Series for its compact size allows to reduce the overall dimensions of the enclosures where they are mounted
- Body in Zinc plated brass
- Rings in Chrome plated brass and/or Chrome plated polycarbonate
- Drive shaft in Stainless Steel
- Mushroom push button in painted Aluminum or plastic.



Ø 1/2"		Ø 1"		Units
Code	Contacts	Code	Contacts	
DP 5	NO + NC	DFP 5	NO+ NC	Normal (with spring return and no lock)
-		DFP 8		With lock (press and pull)
DP 8r		DFP 8r		With rotary release
DP 8k		DFP 8k		With key release

NOTES

The control units get same temperature class as the housing on which they are mounted.

These units shall be installed on enclosure with volume up to 160,6 dm³ for group IIB+H₂ and up to 62,9 dm³ for group IIC.

These units may be mounted on electrical equipment suitable for group I-M2 (firedamp mines) if no component is made of light alloy.

The resulting mode of protection will be Ex d I Mb.

(*) See page B11 for CCA and page B21 for enclosures CCF.

Order Coding

Example: DP 8r

Type	Element (see Table)
DP = 1/2" unit	8r = rotary release
DFP = 1" unit	