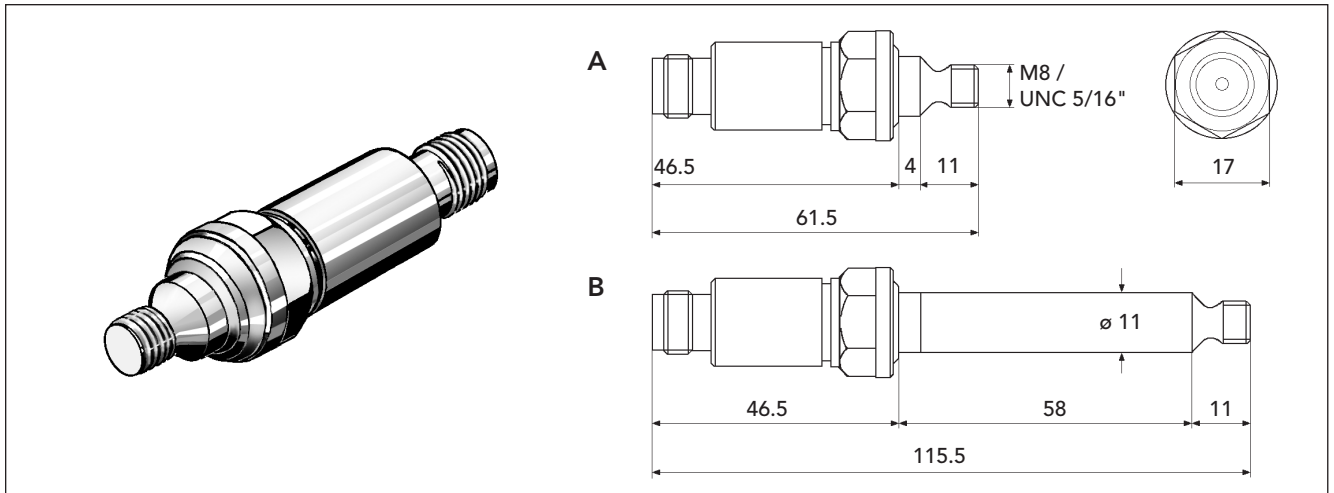


Standard Shock Pulse Transducers



Standard shock pulse transducers are used in all permanent SPM installations for bearing monitoring. They are installed in countersunk mounting holes on the bearing housings.

A shock pulse transducer converts the shock pulses emitted by the bearing into electric signals. A coaxial cable connects the transducer with a measuring terminal or measuring device. Max. cable length is 4 m.

Transducer housing and base are made of stainless acid proof steel, suitable for aggressive environments. Standard thread size is M8, with UNC 5/16" as an alternative. Standard length (A) is 61.5 mm. A long transducer (B), length 115.5 mm, is used to reach bearing housings beneath protective covers.

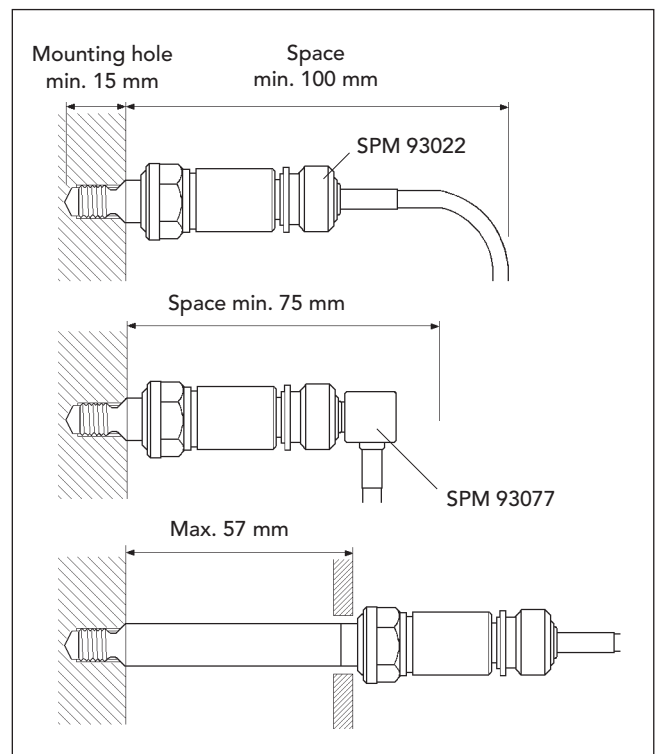
The transducer is normally connected with a TNC plug, SPM 93022. A TNC angle plug, SPM 93077, can be used in narrow spaces. To prevent cable corrosion in moist environments, the coaxial cable must be connected with a sealing TNC plug, SPM 13008.

Ordering numbers

40000	Standard shock pulse transducer, M8 x1.25
40100	Standard shock pulse transducer, UNC 5/16-18
40001	Standard shock pulse transducer, M8 x1.25, extended
40101	Standard shock pulse transducer, UNC 5/16-18, extended

Technical data

Measuring range	Max. 100 dBsv
Housing, base	Stainless acid proof steel, Sandvik Grade:1802, EN:1.4523
Design	Sealed
Connector tightness	IP65 with TNC connector IP 67 with conn. SPM13008
Temperature range	-30° C to +150° C
External overpressure	Max. 1 MPa (10 bar)
Mounting torque	15 Nm, max. 20 Nm
Connector	TNC jack
Weight:	55 g



Mounting tools

82053	Countersink with fixed pilot for M8
81027	Holder for countersink
81028	Countersink, angle 90°, 12 mm dia.
81031	Pilot for M8
81032	Pilot for UNC 5/16"

To drill the mounting hole, use drill bits 6.9 mm for M8, 6.6 mm for UNC5/16".

Torque and unscrew the transducer with a torque wrench and a long 17 mm socket (SPM 81086).

