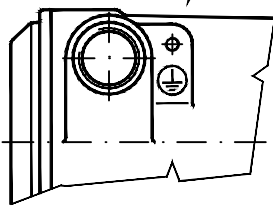


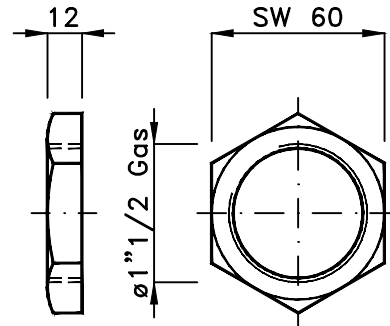
ø1/2" Gas Outside casing ground



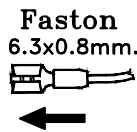
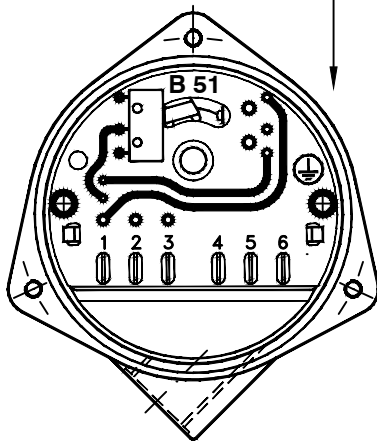
Die-cast aluminium casing UNI5076

Standard AC1 1 vane NYLON screw.

Wiring with antivibrations cable terminals (Faston).



Inside casing ground



WIRING

- | | |
|---|---------------------------------|
| 1 | Common power supply |
| 2 | Power supply 110 Va.c. 50/60 Hz |
| 3 | Power supply 220 Va.c. 50/60 Hz |
| 4 | NC contact 5A/250 Va.c. |
| 5 | Common contacts |
| 6 | NO contact 5A/250 Va.c. |

Electric motor draw 4 W

Ambient temperature range -20 to +70 °C

Weight : 1.200 Kg

On request power supply at 24/48 Va.c. 50/60Hz - And also at 24 Vd.c.

IP65 Protection

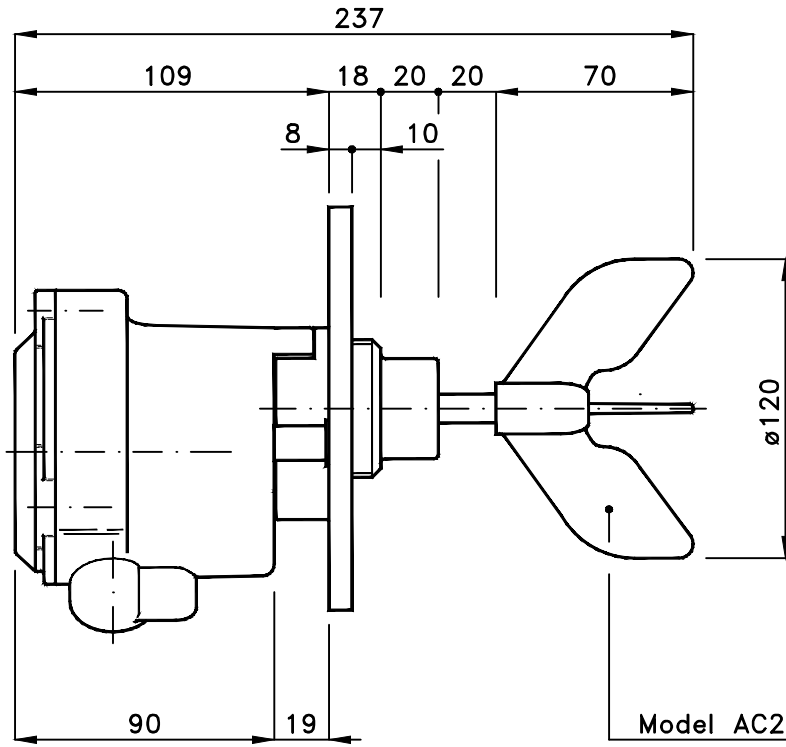
Maximum operational pressure 1.1 bar

SMALL-SIZED BLADED LEVEL GAUGE PARTICULARLY SUITABLE FOR USE ON SMALL TANKS OR BATCHING CELLS.

STANDARD ASSEMBLY WITH 1"1/2 GAS THREADED NUT

Certificate number TÜV IT 13 ATEX 070
Marking: Ex II 1/2 D Ex ta/ib IIC T85°C IP65 Da/Db





Die-casting aluminium flange.

Made in two versions: ø140 and ø105mm.

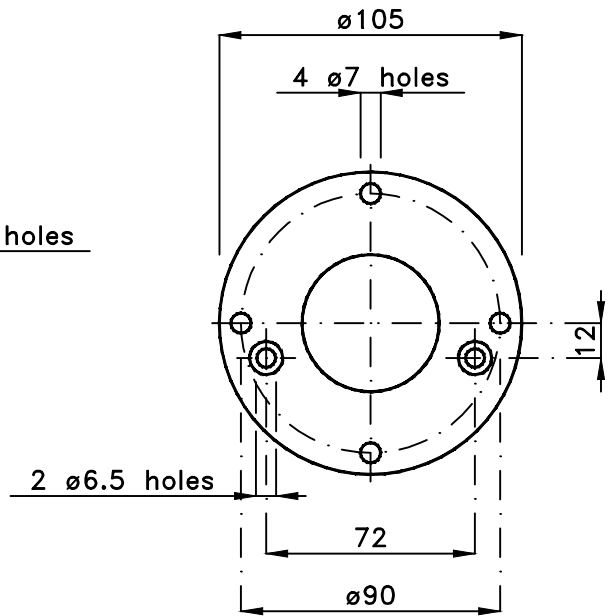
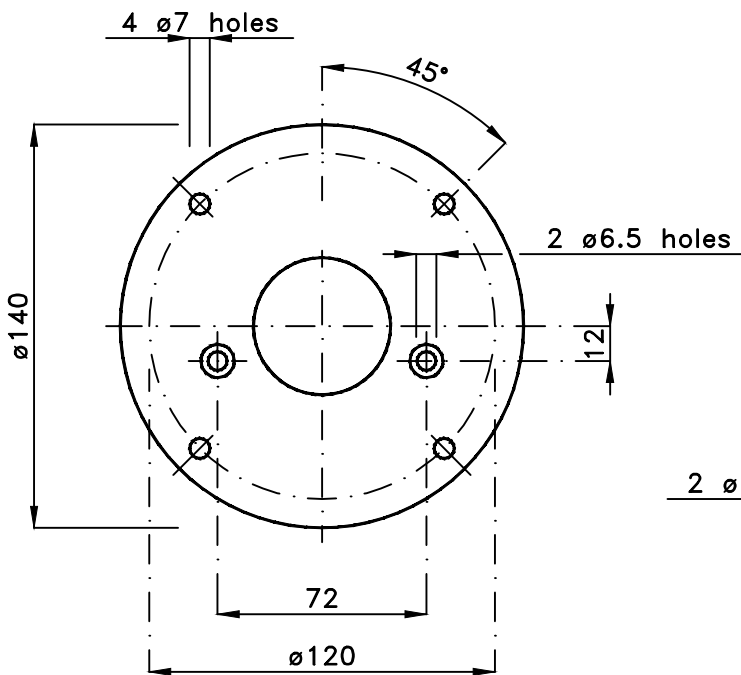
Maximum dimension hole on counterflange:
for flange ø140 = ø105
for flange ø105 = ø 75

Existing space between flange and level gauge casing allows the M6x12 bolts assemblage.

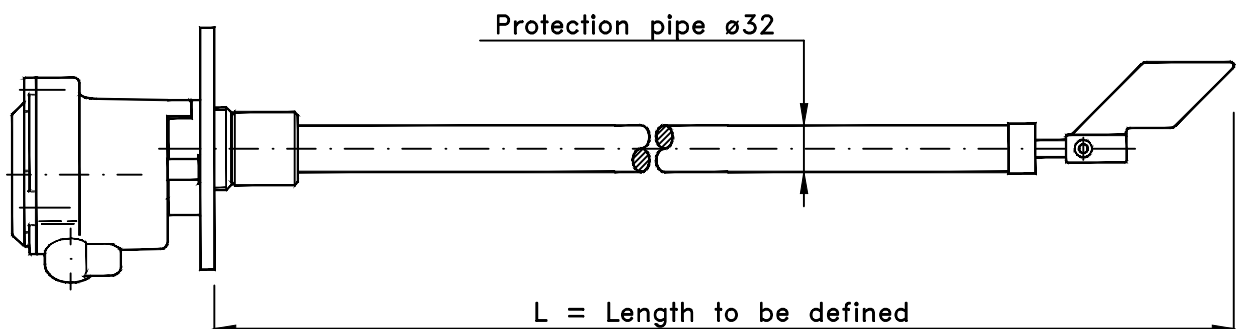
Flange can be installed at a later date.

The flange is fixed on level gauge casing by two M6 screws.

Model AC2 3 vanes NYLON screw



Level gauge can be delivered with extension, with or without protection, the length of which is defined by the buyer during the order.



The extension can be installed at a later date