

T7460A,B,C,D,E,F WALL MODULES

HONEYWELL EXCEL 5000 OPEN SYSTEM

INSTALLATION INSTRUCTIONS

BEFORE INSTALLATION

All wiring must comply with local electrical codes and ordinances or as specified on installation wiring diagrams.

Wall module wiring can be sized from 16 to 22 AWG (1.5 to 0.34 mm²), depending on the application. The maximum length of wire from a device to a wall module is 1000 ft (305 m). Twisted-pair wire is recommended for wire runs longer than 100 ft (30.5 m).

COVER DISASSEMBLY

The cover of the wall module is fixed in place using a tab located on the underside of the unit; to disassemble the cover and the subbase, see Fig. 1.

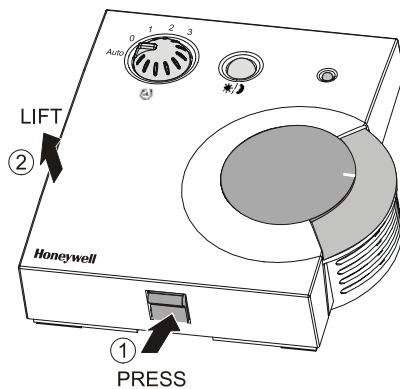


Fig. 1. Cover disassembly

Table 1. Features of T7460 Versions

	Sensor	Setpoint	Bypass/ LED	Fan speed
T7460A	✓	-	-	-
T7460B	✓	✓	-	-
T7460C	✓	✓	✓	-
T7460D	✓	✓	-	5-position
T7460E	✓	✓	✓	3-position
T7460F	✓	✓	✓	5-position

INSTALLATION

The T7460B,C,D,E,F packages include two setpoint dials. By default, the “Celsius Relative” type is mounted. This can be easily replaced with the “Celsius Absolute” type by pulling the one dial off and inserting the other one.

Mount the T7460A,B,C,D,E,F Wall Modules on an inside wall approximately 54 in. (1.3 m) from the floor (or in the specified location) to allow exposure to the average zone temperature.

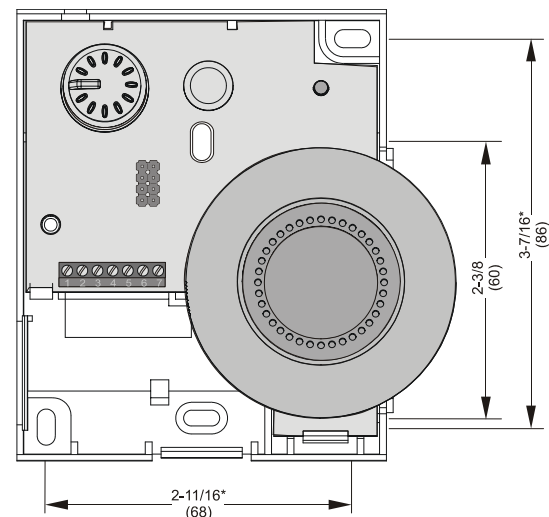
NOTE: Maintain a mounting clearance of approx. 4 in. (10 cm) to the left-hand side of the module in order to allow a free airflow for the temperature sensor and accessibility of the setpoint dial.

Do not mount the wall modules on an outside wall, on a wall containing water pipes, or near air ducts. Avoid locations that are exposed to discharge air from registers or radiation from lights, appliances, or the sun.

The T7460D,E,F should not be connected to controllers that do not support fan operation (e.g. W7751, W7762, W7763).

Keep wiring at least one ft (305 mm) away from large inductive loads such as motors, line starters, lighting ballasts, and large power distribution panels. Run wall module wiring separately from 50 Vac or greater power wiring.

The wall modules can be mounted on a 60-mm wall outlet box using No. 6 (3.5-mm) screws or on a wall (see Fig. 2 and Fig. 5). When mounting directly on a wall, use the type of screws appropriate for the wall material.



* bore-hole dimensions for optional wall mounting

Fig. 2. Bore-holes for T7460 wall modules in in. (mm)
See Fig. 3 for T7460A,B,C,D,E,F mounting dimensions.

NOTE: Graphics show E/F model. Dimensions are the same for all six models.

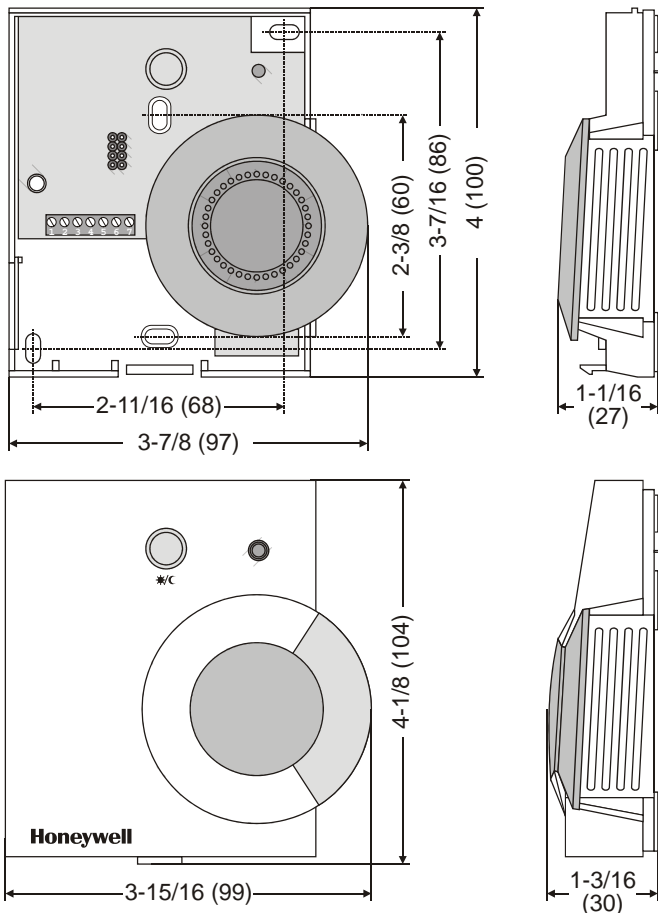


Fig. 3. T7460A,B,C,D,E,F dimensions in in. (mm)

Mounting Procedure

1. Disassemble the cover as is shown in Fig. 1.
2. (T7460B,C,D,E,F only) Remove the setpoint dial by pulling it off.
3. **a)** Mount the wall module onto the wall outlet box, or
b) bore wall holes as is specified in Fig. 2 and mount the wall module with appropriate screws.
4. Connect the wires to the terminal block according to the specifications in the "Wiring" section.
5. (T7460B,C,D,E,F only) Insert the setpoint dial and turn it clockwise as far as possible.
6. (T7460B,C,D,E,F only) Make sure that the dial's position is such that the 30 (Celsius absolute scale) or the +5 (Celsius relative scale) point to the right-hand side of the wall module (see Fig. 4).

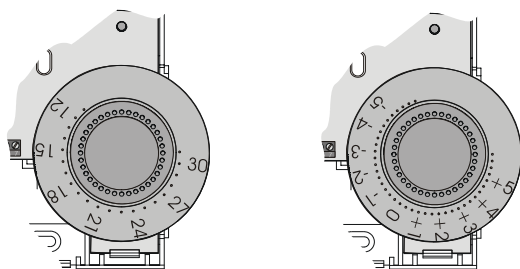


Fig. 4. Mounting position of setpoint dial

7. (T7460B,C,D,E,F only) If the dial does not have the correct position, pull the dial off again and reinsert it with the correct orientation.
8. Remount the cover as depicted in Fig. 5 and make sure that the tab on the underside engages.

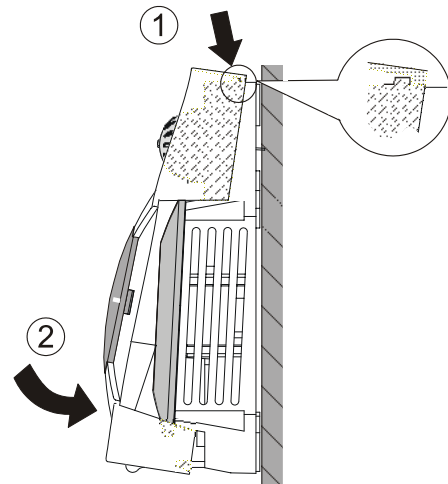


Fig. 5. Mounting cover of T7460 wall modules

Wiring

Attach the wires from the device sensor terminals to the appropriate wall module terminals and set the jumpers according to the connected controller. See Fig. 6 through Fig. 8.

NOTE: Not all of the T7460 wall modules are compatible with W7751A,C,E,G (VAV1) and W7752D1 (FCU1) Controllers.

IMPORTANT

Screw type terminal blocks are designed to accept no more than one 16 AWG (1.5 mm²) conductor.

Wire the terminal blocks as follows:

1. Strip 3/16 in. (5 mm) of insulation from the conductor.
2. Insert the wire in the required terminal location and tighten the screw to complete the termination.
3. Verify jumper setting with Fig. 8 and wall module wiring with Fig. 6 and Fig. 7.

Jumper Settings

According to the type of controller connected, the following jumpers have to be set on the PCB of the T7460C,D,E,F.

NOTE: The "W77xx" at the first jumper position stands for the Excel 10 and Excel 12 controllers:

Const. Vol. Air Handling Unit	W7750A,B
(Smart) Variable Air Volume	W7751B,D,F,H
Fan Coil Unit (FCU2)	W7752D,E,F,G
Remote Input/Output Device	W7761A
Hydronic	W7762A,B
Chilled Ceiling	W7763C,D,E
Excel 12	W7704xx

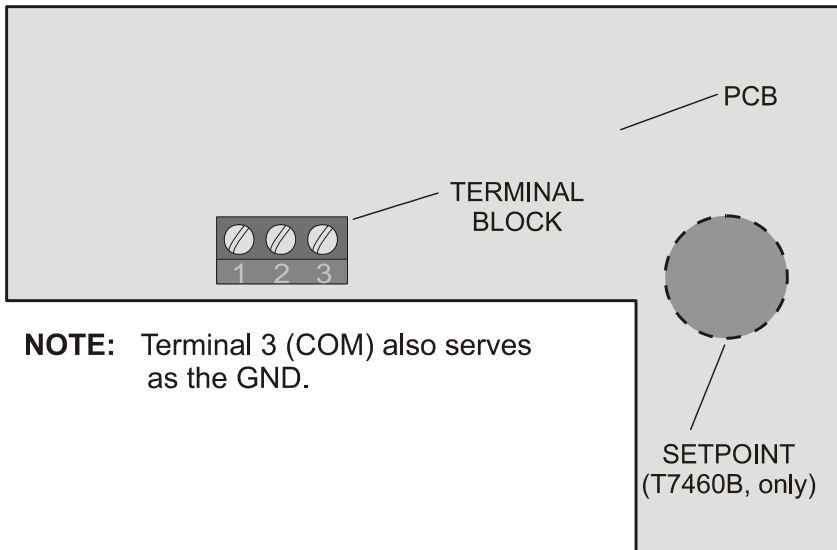
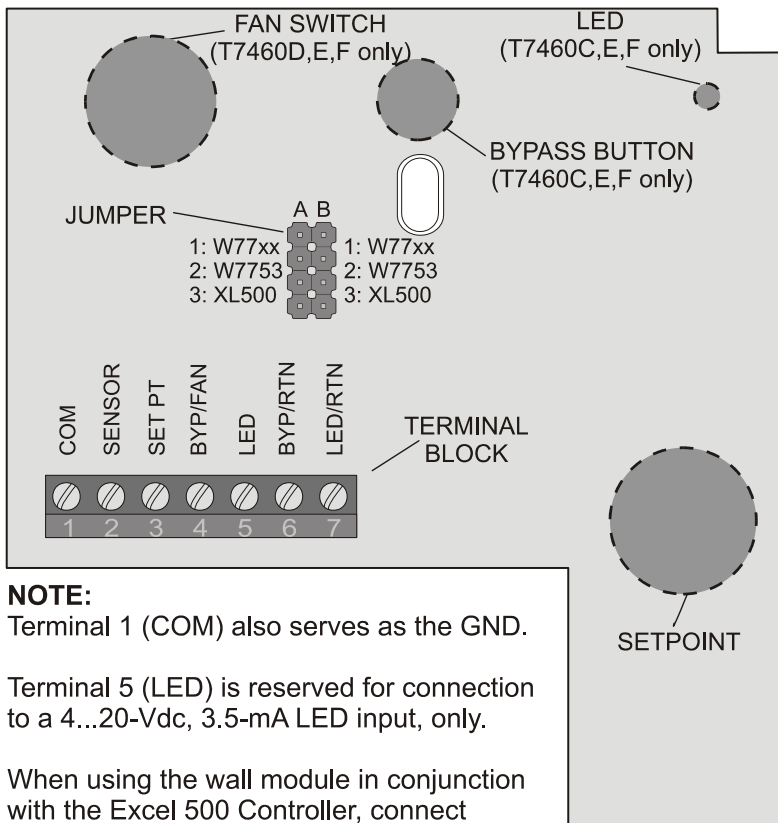
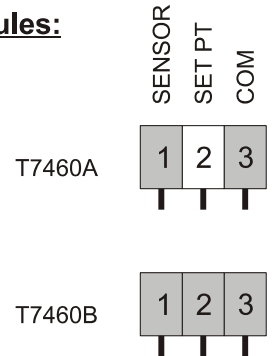


Fig. 6. Wiring diagram for T7460A,B Wall Modules

IMPORTANT:

The gray/shaded terminals are internally connected. The white/unshaded terminals are not internally connected.

Wiring of Modules:



NOTE:

Terminal 1 (COM) also serves as the GND.

Terminal 5 (LED) is reserved for connection to a 4...20-Vdc, 3.5-mA LED input, only.

When using the wall module in conjunction with the Excel 500 Controller, connect terminal 7 (LED/RTN) with one of the controller's analog outputs (0 Vdc = LED ON; 10 Vdc = LED OFF; current < 1 mA) and connect a fixed supply voltage (10 Vdc, 3.5 mA) to terminal 5 (LED).

When using the wall module in conjunction with the Excel 10 UV Controller W7753, connect terminal 6 (BYP/RTN) with the controller's bypass input.

IMPORTANT:

The gray/shaded terminals are internally connected. The white/unshaded terminals are not internally connected.

Wiring of Modules:

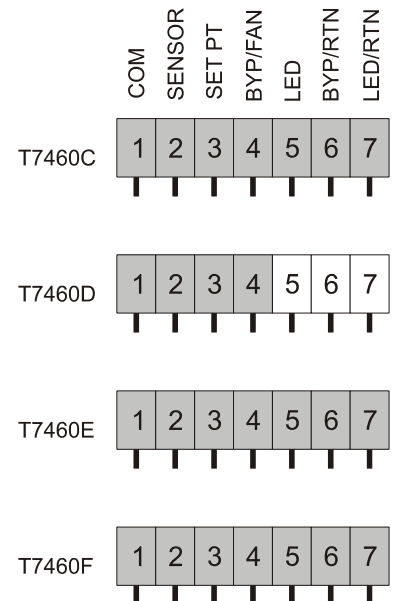


Fig. 7. Wiring diagram for T7460C,D,E,F Wall Modules (for the jumper settings, see Fig. 8)

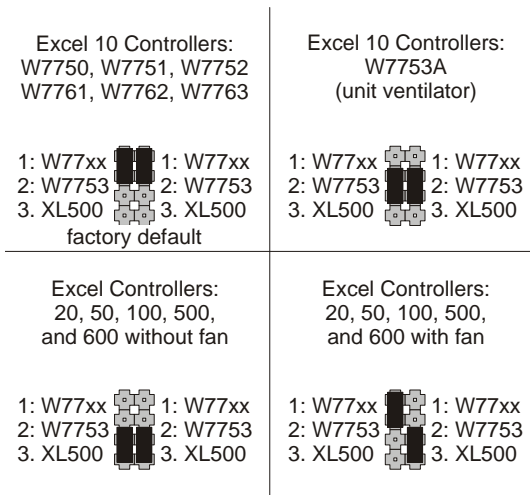


Fig. 8. Jumper settings for T7460C,D,E,F Wall Modules

ACCESSORIES

T7460-LONJACK

The T7460-LONJACK is a small board and allows easy access to LONWORKS via the wall module (the wall module must be already connected, in compliance with the max. cable lengths set forth by the LONWORKS Guidelines, to the LONWORKS network via a LONWORKS bus cable). Via an additional 3.5 mm jack plug on the board, a PC connection can be established.

Order quantity: set with 5 pieces

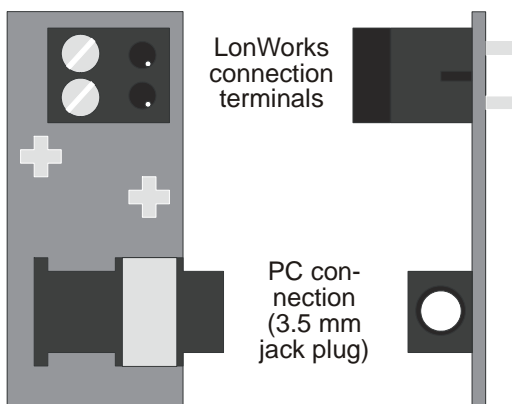


Fig. 9. T7460-LONJACK

Mounting

Remove the setpoint dial and put in the T7460-LONJACK as shown in the following:

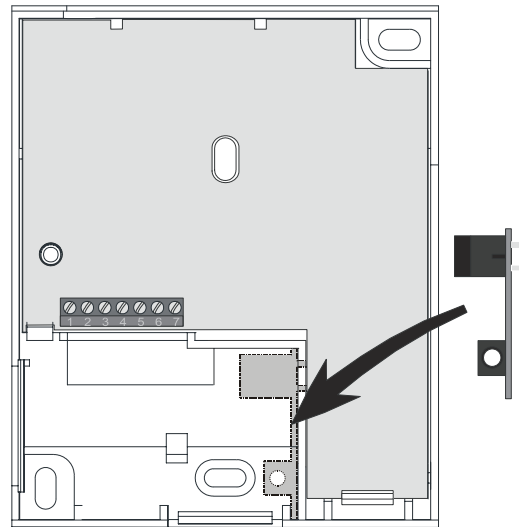


Fig. 10. Mounting T7460-LONJACK

T7460-LIMITER

The T7460-LIMITER can be used to adjust the setpoint dial to particular setpoints.

Put the limiters approximately opposite the setpoints you want to adjust. In the following example, the setpoints are at about 18 and 27 °C.

Order quantity: set of 100 pieces

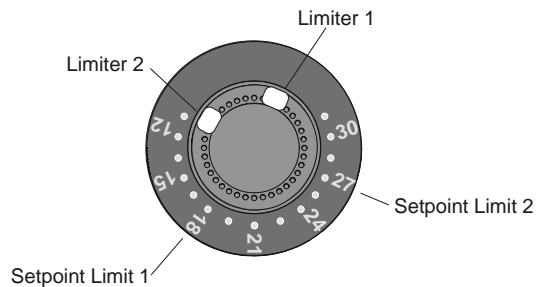


Fig. 11. Mounting T7460-LIMITER(S)

Honeywell

Manufactured for and on behalf of the Environmental and Combustion Controls Division of Honeywell Technologies Sarl, Ecublens, Route du Bois 37, Switzerland by its Authorized Representative:

Automation and Control Solutions
Honeywell GmbH
Böblinger Straße 17
D-71101 Schönaich
Phone xx49-(0)7031-637-01
Fax xx49-(0)7031-637-493
<http://europe.hbc.honeywell.com>

**DIN EN
ISO 9001**