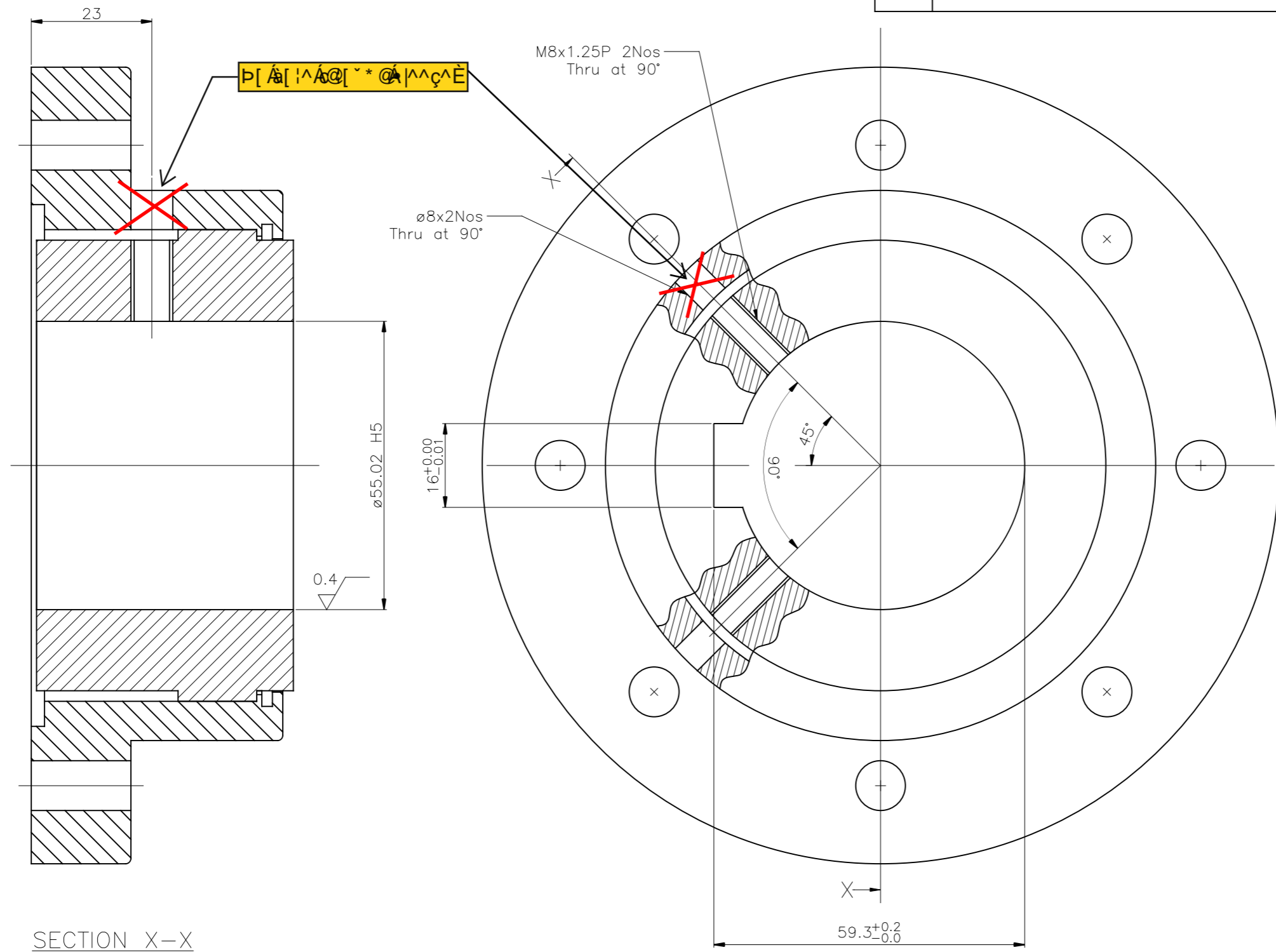


RevNo	Revision note	Date	Signature	Checked

A
B
C
D
E

A
B
C
D
E



SECTION X-X

CMA1
REFER :
SSTM-EREN-01-2015-P-15/A

- Geared Coupling:
Part No. : 1015G
Make : REXNORD
- Operation:
* Boring
* Cylindrical Grinding
* Keyway Cutting
* Drilling & Taping


No sharp edges.
All corners are 1x45° Chamfer.

CMA1

TOLERANCE H5 : 0 TO +13 μm

DEVIATIONS FOR OPEN DIMNS. AS PER IS:2012 (PART 1) MEDIUM CLASS										SURFACE FINISH SYMBOLS													
DIMN.	OVER	-	6	30	120	400	1000	2000	>4000	ROUGHNESS GRADE No.	N1	N2	N3	N4	N5	N6	N7	N8	N9	N10	N11	N12	
	UPTO & INCL.	6	30	120	400	1000	2000	4000		ROUGHNESS VALUE μm	0.025	0.05	0.1	0.2	0.4	0.8	1.6	3.2	6.3	12.5	25	50	
TOLERANCE	±0.1	±0.2	±0.3	±0.5	±0.8	±1.2	±2	±3															

PYRAMID PRECISION ENGINEERING INDIA PVT LTD



3/79, PKS GARDENS,
EVR PERIYAR ROAD
PALAVAKAM CHENNAI-600 041
Website : www.ppeindia.com
E-Mail : info@ppeindia.com
PH:-91 4424922257

DRAWN BY: THANIGAI	DESIGN BY: P.M.V	CHECKED BY: ANITH
PLACE CHENNAI	DATE 09-12-2015	SIGNATURE

MATERIAL:	-	QUANTITY:	1No
ALL DIMENSIONS ARE IN MM			
40kgm ² SMALL SCALE TESTING MACHINE			
GEAR COUPLING CMA1			
SIZE: A3	SCALE: NTS	SHEET: 1 OF 2	
JOB No.	DRAWING No.	REV.	
	SSTM-EREN-01-2015-P15/B		