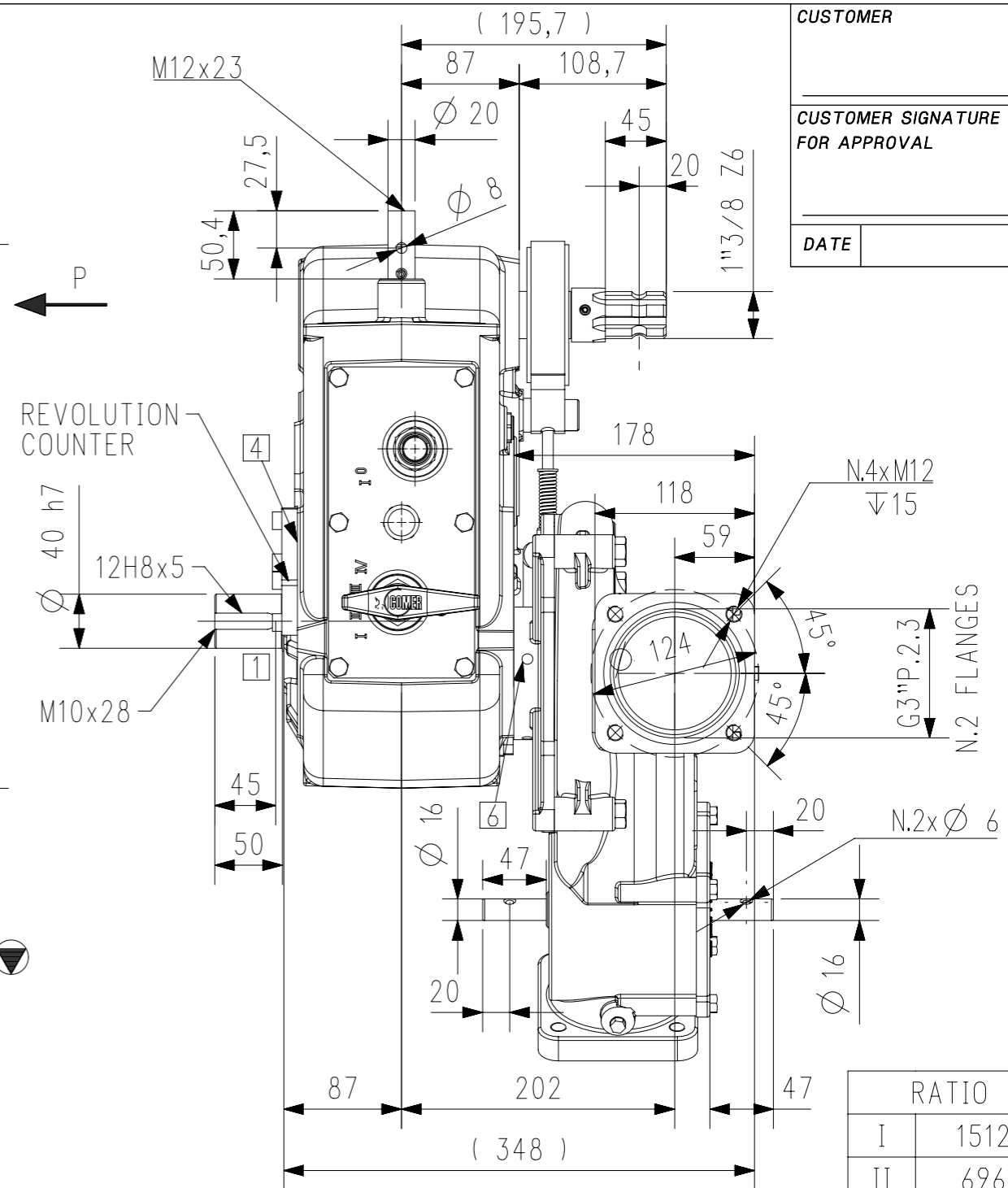
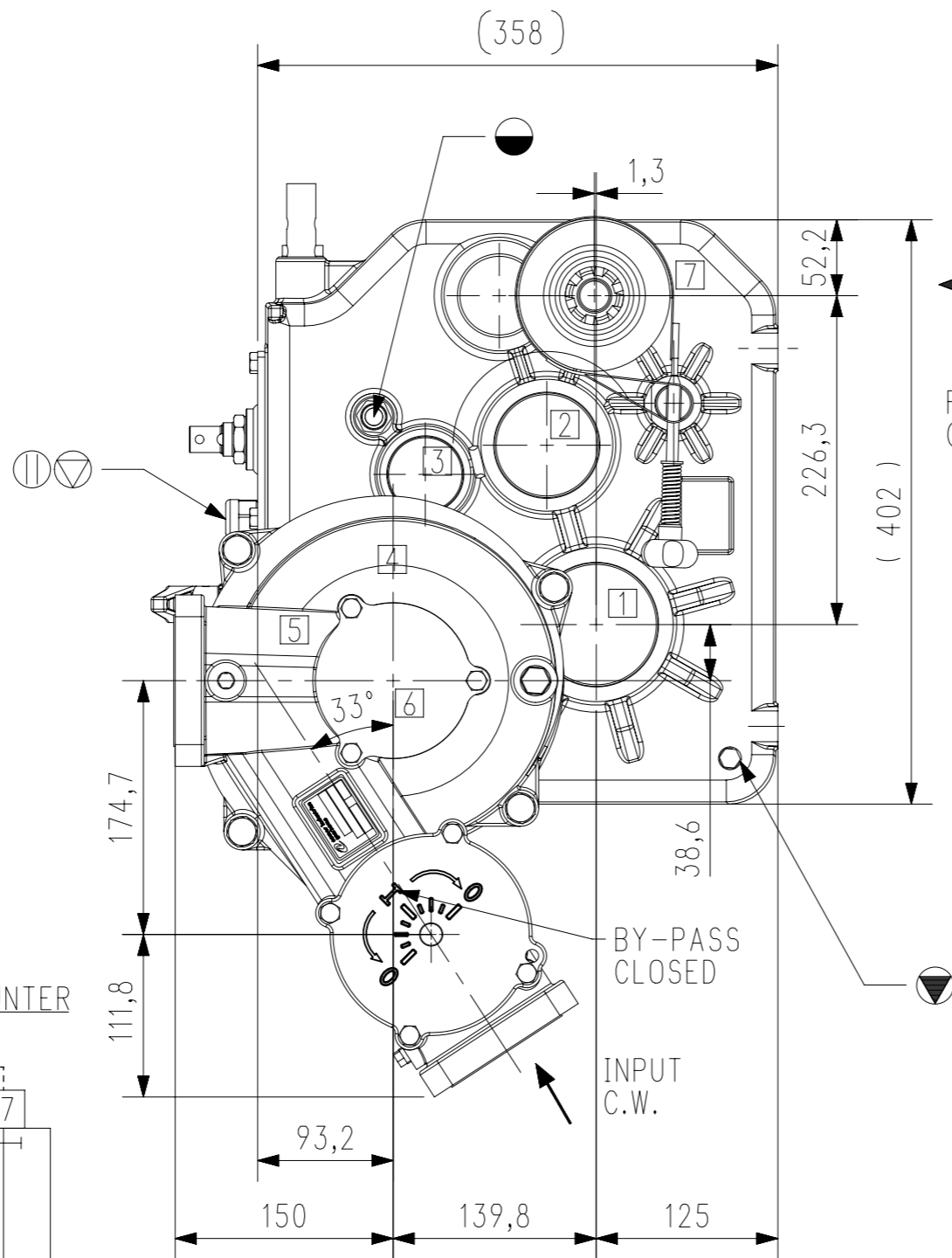
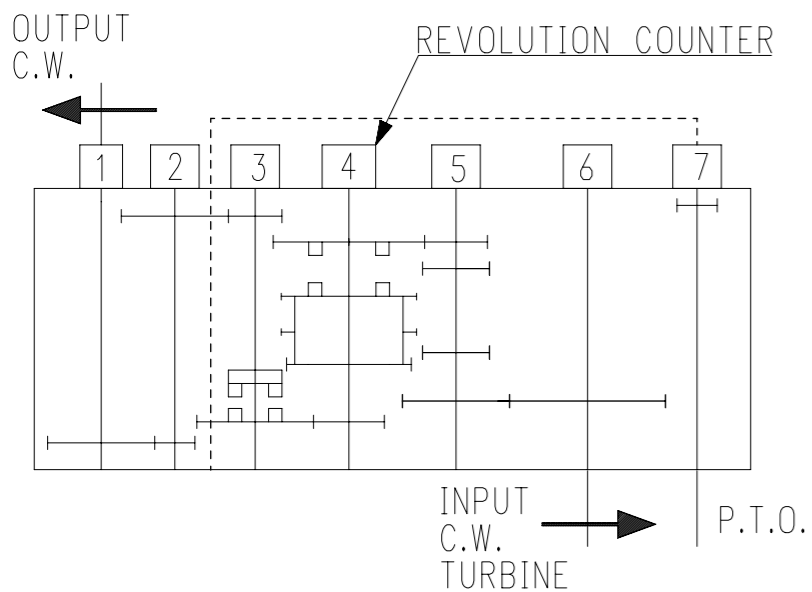


VIEW FROM P



RATED TORQUE
200 kgm.

CUSTOMER

CUSTOMER SIGNATURE FOR APPROVAL

DATE

RATIO	
I	1512
II	696
III	482
IV	232
RATIO P.T.O.	
7	10.7

S.d.M. 40.23693

Rapporto Ratio Verhältnis Rapport	---	Giri in entrata g/min. Input speed r.p.m. Eingangsdrehzahl u/min. Tours en entrée tr/min.	---	Potenza in entrata Input power Eingangsleistung Puissance en entrée	---	HP kW	Coppia in uscita Output torque moment Ausgangsdrehmoment Couple en sortie	---	da Nm	Code 9.742.761.40	Customer Ref. ---			
Lubricant Oil <input checked="" type="checkbox"/> Litres Grease <input type="checkbox"/> kg. Recommended type SAE 90 EP Estimated quantity Gearbox supplied with Lubricant <input type="checkbox"/> Yes <input checked="" type="checkbox"/> No	Cuscinetti Bearings Lager Roulements	A --- B --- C --- D --- E --- F --- G --- H ---	Peso - Weight - Gewicht - Poids 81,5 kg.	<input checked="" type="checkbox"/> Denti diritti Straight Gerade Droite	<input type="checkbox"/> Denti elicoidali Helicoidal Schraubenfoermig Helicoidale	<input type="checkbox"/>	<input type="checkbox"/> Tappo sfiato - Breather plug Entlüftungsstopfen-Bouchon ventilation	<input checked="" type="checkbox"/> Tappo carico - filler plug Fullstopfen - Bouchon remplissage	<input type="checkbox"/> Tappo livello - Level plug Standsschraube - Bouchon niveau	<input type="checkbox"/> Tappo scarico - Drain plug Ablasssraube - Bouchon vidange	<input type="checkbox"/> Designation DTU-742M	<input type="checkbox"/> Date 22-NOV-2018	<input type="checkbox"/> Company ---	 comer industries gearboxes
<input type="checkbox"/> Gearbox not painted <input checked="" type="checkbox"/> Gearbox painted <input type="checkbox"/>	COMER INDUSTRIES reserves the right to make any change to this product without prior public acknowledgement COMER INDUSTRIES S.p.A. 42046 Villanova di Reggiolo (R.E.) Italia Tel. 0522\974111 fax 0522\973249													