

High Pressure Control Valve

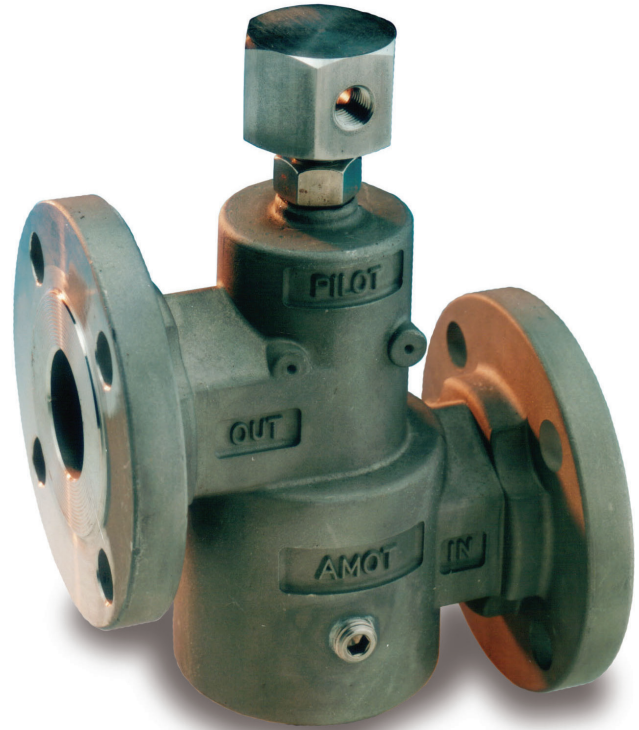
Model 4418F

Typical applications

- Starting air/gas valve
- Vented fuel gas valve
- Control valve


Key features and benefits

- Vent port eliminates need for separate bleed valve
 - Reduced system cost
- Optional open/close indication switch
 - Simple system set up and diagnostics
- Fully adjustable for optimized system operation



Model 4418F

Accreditations available

- PED Suitable for Group 1 & 2 gases (Ensure materials are compatible)
- ATEX  II 2G TX X
- CE Complies with all relevant EU directives

High Pressure Control Valve - Model 4418F

Contents

Overview	3
Operation	3
Applications	3
Valve Characteristics	4
Pressure drop for natural gas	4
Pressure drop for air	4
Valve size and type	5
Internal materials and approvals	5
Proximity switch	5
How to Order	6
Operating Temperature and Pressure Ratings	7
Specification	7
Weights	7
Valve Dimensions	8
Maintenance and Service Parts	9
How to order service kits and spool replacement kits	9
Service kit model number structure	9
Spool replacement kit model number structure	10
Service parts	11
Contact	13

High Pressure Control Valve - Model 4418F

Overview

The 4418F has been designed specifically for use as an air start valve for diesel engines or as a fuel shut-off valve for gas turbine applications.

Its durable, high quality construction and compact size make it ideal for use with gas turbines in the 0 to 15 MW size range.

Operation

2-way normally closed version

When pressure is applied to the PILOT port, the main ports (IN and OUT) are opened to allow flow through the valve. When the pilot pressure is released, a spring closes the main ports.

2-way vented normally closed version

When pressure is applied to the PILOT port, the main ports (IN and OUT) are opened to allow flow through the valve. When the pilot pressure is released, a spring closes the main ports.

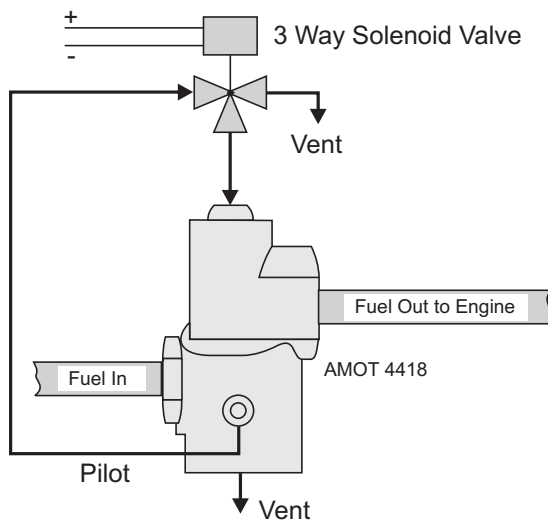
When used on a fuel gas system, the fuel intake manifold is vented causing quick shut down of the engine.

2-way normally open version

When pressure is applied to the PILOT port, the main ports (IN and OUT) are closed to stop the flow through the valve. When the pilot pressure is released, a spring opens the ports (IN and OUT) to allow flow through the valve.

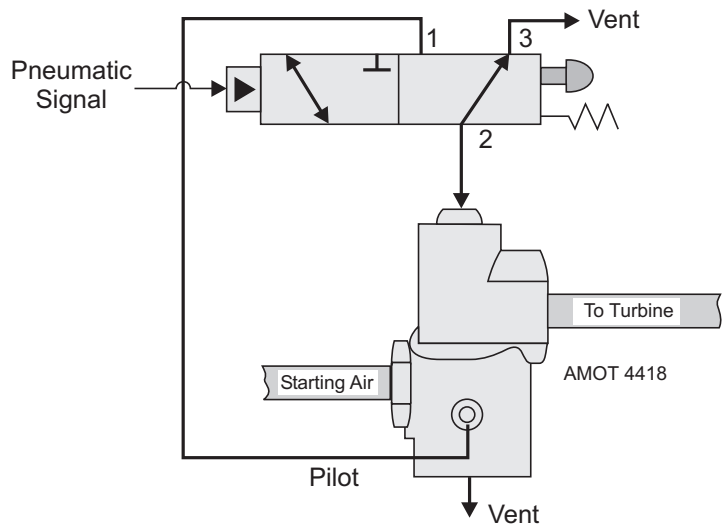
Applications

Fuel valve for turbine or engine



Energise to open fuel valve

Starting air for turbine or engine

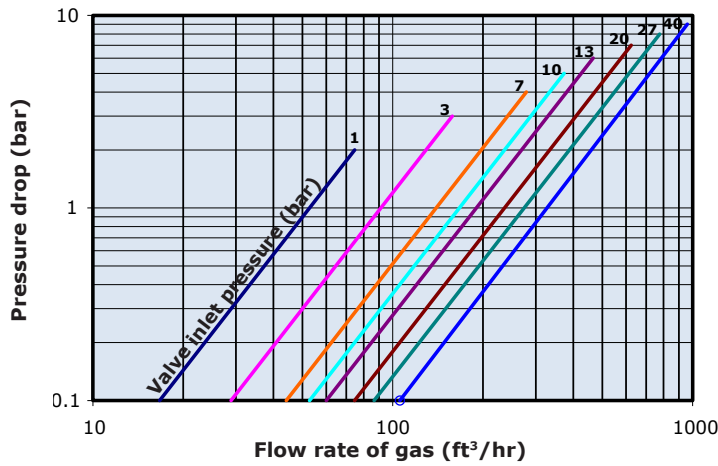


Pneumatic signal or manual pull to start turbine

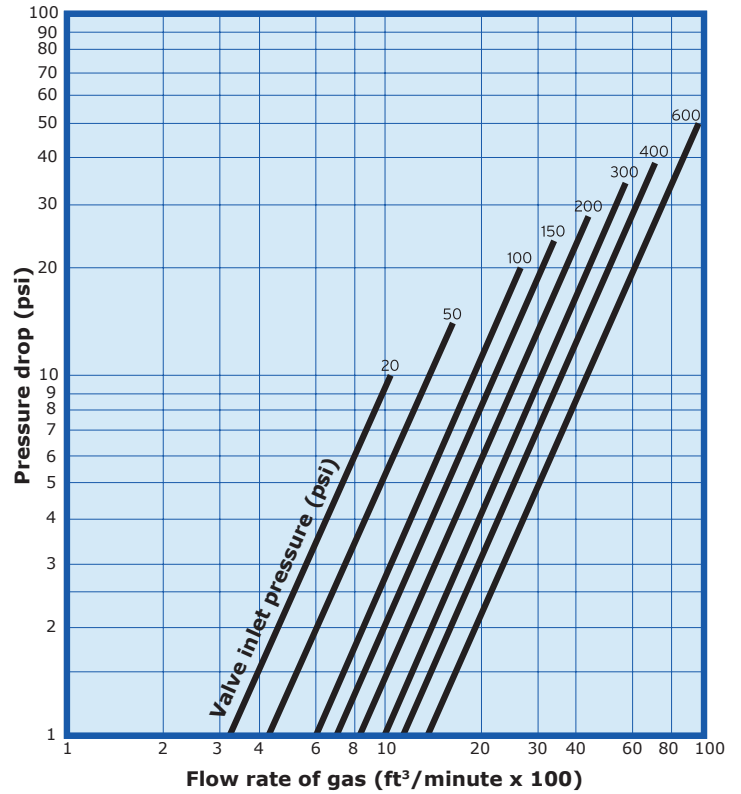
High Pressure Control Valve - Model 4418F

Valve Characteristics

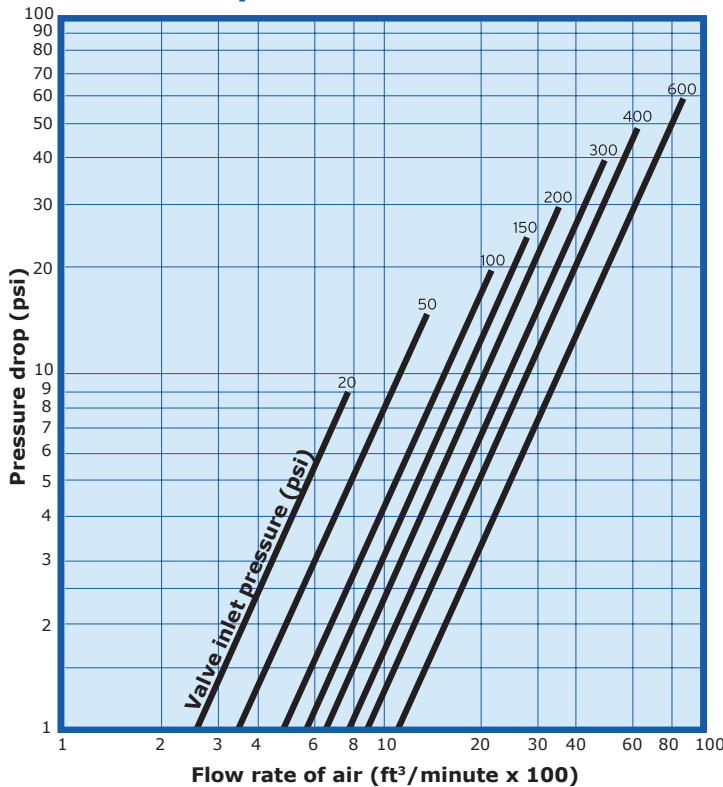
Pressure drop for natural gas



1", 1 1/2" and 2"
Specific gravity of 0.65 at 60°F (15°C)



Pressure drop for air



1", 1 1/2" and 2"
Air at 60°F (15°C)

High Pressure Control Valve - Model 4418F

Valve Characteristics Continued

Valve size and type

Code	Valve size (inches)	Valve type	Approval	Comments
1	1"	2-way normally closed	Unapproved	NOT suitable for use in the EU
2	1 1/2"			
3	2"			
4	1"	2-way vented normally closed	Unapproved	
5	1 1/2"			
6	2"			
7 ⁽²⁾	1"	2-way normally open	Unapproved	
8 ⁽²⁾	1 1/2"			
9 ⁽²⁾	2"			
A	1"	2-way normally closed	PED Category IV ATEX II 2G TX X	
B	1 1/2"			
C	2"			
D	1"	2-way vented normally closed	PED Category IV ATEX II 2G TX X	
E	1 1/2"			
F	2"			
G ⁽²⁾	1"	2-way normally open	PED Category IV ATEX II 2G TX X	
H ⁽²⁾	1 1/2"			
J ⁽²⁾	2"			

Internal materials and approvals

Code	Spool component	Valve type	Seal material	Class	Approvals
2 ⁽¹⁾	Aluminum	2-way	Viton	PTFE	Unapproved
4	Stainless steel				PED, ATEX, NACE
6 ⁽¹⁾	Aluminum	2-way vented			Unapproved
8	Stainless steel				PED, ATEX, NACE

Proximity switch

Code	Position indicator	Approvals
0	None	
E	Open	CSA Class I, Div 1, Groups C & D
F	Closed	
G	Open/Closed	
H	Open	UL Class I, Div 1, Groups C & D
J	Closed	
K	Open/Closed	
P ⁽²⁾	Open	PED Category IV ATEX II 2G TX X
Q ⁽²⁾	Closed	
R ⁽²⁾	Open/Closed	

NOTES:

⁽¹⁾ Do not use aluminum above 240 psi (16.55 bar) @ 200°F (94°C). Not approved for PED or ATEX.

⁽²⁾ Not available with aluminum spool.

High Pressure Control Valve - Model 4418F

How to Order

Use the table below to select the unique specification of your 4418F High Pressure Control Valve.

Example	4418F	1	A	2	X	0	02	-AA	Code description	Comments
Valve model (A)										
Valve model (A)	4418F									
Valve size and type (B)										
Valve size and type (B)		*							For valve sizes and types available, refer to the valve size and type table on page 5.	
Connections (C)										
IN and OUT ports										
Pilot 'A' and vent ports										
Connections (C)			A						NPT threaded	NPT
			B						BSP (PL) threaded	BSP (PL)
			C						DIN ND40 flanged	BSP (PL)
			E						ANSI 300 lb. RF flanged	NPT
			J						ANSI 150 lb. RF flanged	NPT
			K						ANSI 600 lb. RF flanged	NPT
Internal materials and approvals (D)										
Internal materials and approvals (D)			**						For internal materials available, refer to the internal materials and approvals table on page 5.	
Pilot pressure (E)										
Pilot pressure (E)					X				30 to 150 psi	Normally closed
									50 to 150 psi	Normally open
Proximity switch options (F)										
Proximity switch options (F)							***		For proximity switches available, refer to the proximity switch table on page 5.	
Pilot options (G)										
Pilot accessories ⁽³⁾										
Approvals										
Pilot options (G)								00	None	
								02	3-Way QE Solenoid 24VDC	UL/CSA + Regulator ⁽⁴⁾ ⁽⁵⁾
								03	3-Way QE Solenoid 120VDC	UL/CSA + Regulator ⁽⁴⁾ ⁽⁵⁾
								04	3-Way QE Solenoid 24VDC	UL/CSA
								05	3-Way QE Solenoid 120VDC	UL/CSA
								06	3-Way QE Solenoid 24VDC	ATEX + Regulator ⁽⁴⁾ ⁽⁵⁾
								07	3-Way QE Solenoid 115VDC	ATEX + Regulator ⁽⁴⁾ ⁽⁵⁾
								08	3-Way QE Solenoid 24VDC	ATEX
								09	3-Way QE Solenoid 115VDC	ATEX
								10	4-Way QE Solenoid 24VDC	UL/CSA + Regulator ⁽⁴⁾ ⁽⁵⁾
								11	4-Way QE Solenoid 120VDC	UL/CSA + Regulator ⁽⁴⁾ ⁽⁵⁾
								12	4-Way QE Solenoid 24VDC	UL/CSA
								13	4-Way QE Solenoid 120VDC	UL/CSA
Customer special requirements (H)										
Customer special requirements (H)								-AA	Standard	May be omitted
								-***	Customer special code	

NOTES:

⁽³⁾ All pilot accessories include stainless steel tubing & fittings mounted onto the valve.

⁽⁴⁾ Self-piloted accessory.

⁽⁵⁾ Available with normally closed valves ONLY.

High Pressure Control Valve - Model 4418F

Operating Temperature and Pressure Ratings

Measurements in bar (psi)

Temperature		Connections (C) - see page 6								
		A - NPT threaded		B - BSP (PL) threaded		C - DIN ND40 flanged	E - ANSI 300 lb. RF flanged	J - ANSI 150 lb. RF flanged		K - ANSI 600 lb. RF flanged
°C	°F	Aluminum	Stainless steel	Aluminum	Stainless steel	Stainless steel	Stainless steel	Aluminum	Stainless steel	Stainless steel
-29-38	-20-100	19 (276)	*50 (725)	19 (276)	*50 (725)	40 (580)	*50 (725)	19 (276)	19 (276)	*50 (725)
93	200	17 (247)	43 (623)	17 (247)	43 (623)	34 (493)	43 (623)	16 (232)	16 (232)	43 (623)
149	300	15 (218)	39 (566)	15 (218)	39 (566)	31 (450)	39 (566)	15 (218)	15 (218)	39 (566)
204	400	13 (189)	36 (522)	13 (189)	36 (522)	28 (406)	36 (522)	13 (189)	13 (189)	36 (522)

* Maximum pressure for normally open = 45 bar (653 psi)

Specification

		Metric units	English units
Body materials	Stainless steel		
Standard internal materials	Stainless steel		
Optional internal materials	Aluminum		
Seals	Viton		
Operating temperatures		-29°C - 204°C	-20°F - 400°F
Valve pressure rating		13 - 50 bar	189 - 725 psi
Max. working pressure		50 bar	725 psi
Pilot pressure (standard)	Depends on process working pressure	2.1 - 10.3 bar	30 - 150 psi
Flow coefficient	IN to OUT	1"	Kv = 15.5 Cv = 18
		1 ½"	Kv = 28.5 Cv = 33
		2"	Kv = 29.4 Cv = 34
	OUT to VENT ALL	Kv = 1.7 Cv = 2.0	
Close time**	Less than 100 ms		

** Contact AMOT for advice on suitable solenoid valves and pilot pressures

Weight

Approximate weight in kg (lbs)

Connection type	Threaded		Flanged	
	1" & 1 ½"	2"	1" & 1 ½"	2"
Valve size	3.6 (8)	4.1 (9)	7.72 (17)	10.4 (23)

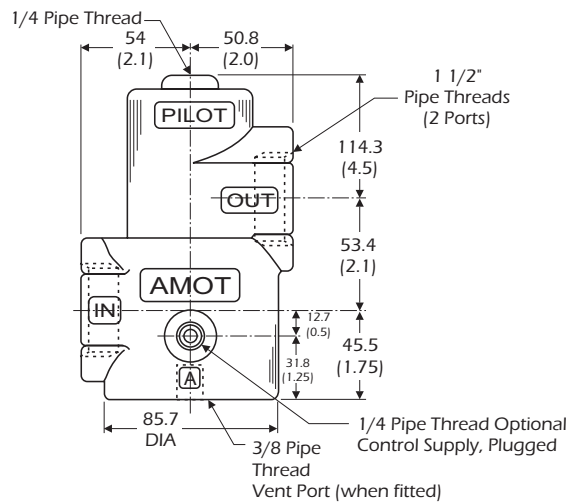
High Pressure Control Valve - Model 4418F

Valve Dimensions

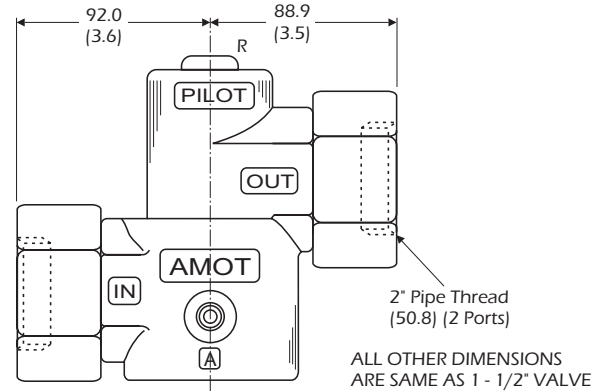
Dimensions - mm (inches)

Threaded valves

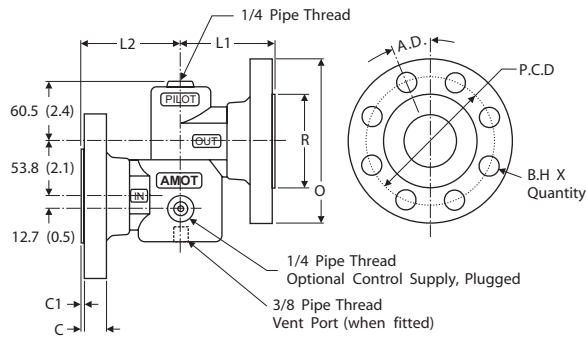
1" & 1 1/2" valve



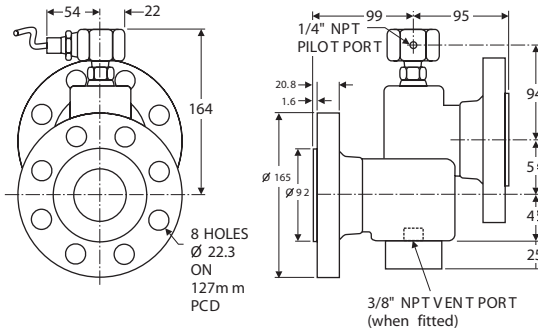
2" valve



Flanged valves



Valve showing solenoid



Flanged connections										
Valve size	1"			1 1/2"			2"			
Connection (C)	E	J	K	E	J	K	C	E	J	K
L1	79.25 (3.12")	76.20 (3.00")	91.95 (3.62")	82.55 (3.25")	79.25 (3.12")	95.25 (3.75")	95.25 (3.75")	95.25 (3.75")	91.95 (3.62")	104.65 (4.12")
L2	82.55 (3.25")	79.25 (3.12")	95.25 (3.75")	85.85 (3.38")	82.55 (3.25")	98.55 (3.88")	98.55 (3.88")	98.55 (3.88")	95.25 (3.75")	107.95 (4.25")
Flange diameter (O)	123.95 (4.88")	107.95 (4.25")	123.95 (4.88")	155.45 (6.12")	127.00 (5.00")	155.45 (6.12")	165.10 (6.50")	165.10 (6.50")	152.40 (6.00")	165.10 (6.50")
Flange thickness (C)	17.53 (0.69")	14.22 (0.56")	17.53 (0.69")	20.57 (0.81")	17.53 (0.69")	22.35 (0.88")	22.35 (0.88")	22.35 (0.88")	19.05 (0.75")	25.40 (1.00")
Raised face thickness (C1)	1.57 (0.062")	1.57 (0.062")	6.35 (0.25")	1.57 (0.062")	1.57 (0.062")	6.35 (0.25")	3.18 (0.13")	1.57 (0.062")	1.57 (0.062")	6.35 (0.25")
Bolt hole size	19.05 (0.75")	15.75 (0.62")	19.05 (0.75")	22.35 (0.88")	15.75 (0.62")	22.35 (0.88")	18.03 (0.71")	19.05 (0.75")	19.05 (0.75")	19.05 (0.75")
Bolt hole quantity	4X	4X	4X	4X	4X	4X	4X	8X	4X	8X
PCD	88.90 (3.50")	79.25 (3.12")	88.90 (3.50")	114.30 (4.50")	98.55 (3.88")	114.30 (4.50")	124.97 (4.92")	127.00 (5.00")	120.65 (4.75")	127.00 (5.00")
R	50.80 (2.00")	50.80 (2.00")	50.80 (2.00")	73.15 (2.88")	73.15 (2.88")	73.15 (2.88")	102.11 (4.02")	91.95 (3.62")	91.95 (3.62")	91.95 (3.62")
AD	45°	45°	45°	45°	45°	45°	45°	22.5°	45°	22.5°

High Pressure Control Valve - Model 4418F

Maintenance and Service Parts

Over time, exposure to foreign chemicals and particulate matter as well as prolonged operation at extreme conditions may reduce the effectiveness of the valve. At such time, AMOT High Pressure Control Valves can be restored to original performance simply by installing an AMOT high pressure control valve service kit. Service kits include all new seals and seal components required for normal maintenance. In the event the spool needs to be replaced, AMOT offers spool replacement kits.

AMOT recommends the valves to be checked monthly for proper operation when it is used as a control valve in a Safety Control System.

How to order service kits and spool replacement kits

Service kits

Service kits are available with seals required to service the valve. Order service kits by service kit model number, which is identified by the valve size code and proximity switch code found in the AMOT valve part number. Refer to the valve nameplate and the AMOT valve part number structure on page 6.

Service kit model number structure

1) Identify the valve size code and proximity switch code, located in the Valve size and type (B) and Proximity switch options (F) sections of the AMOT valve part number, respectively.

Replacement of the PTFE main seal ④ requires disassembly of the valve spool for which AMOT uses specialized tooling. If preferred this can be done by AMOT, for contact details refer to page 13. AMOT designs and tests all its products to ensure that high quality standards are met. For good product life, carefully follow AMOT's installation and maintenance instructions; failure to do so could result in damage to the equipment being protected or controlled.

Spool replacement kits

Spool replacement kits are available with spool parts and seals only. Order spool kits by spool kit model number, which is identified by the valve size code, proximity switch code and internal materials code found in the AMOT valve part number. Refer to the valve nameplate and the AMOT valve part number structure on page 6.

2) Find those codes in Table 1 to identify the proper service kit required for your specific valve.

Table 1 - Service kit identification

Table 1 - Service kit identification							
	Valve size (B)			Proximity switch (F)		Service kit model number	Comments
	1,2,3,A,B,C			ALL		10450X005	USA ONLY
	4,5,6,D,E,F			F,J,Q		81050X005	UK ONLY
						10450X001	
	7,8,9,G,H,J			0,E,H,P		81050X001	UK ONLY
						10450X003	
				ALL		81050X003	UK ONLY
						81050X007	
Examples							
Valve part number						Service kit model number	
4418F	5	E	8	X	F	04	10450X001
4418F	7	J	4	X	0	00	81050X007

High Pressure Control Valve - Model 4418F

Maintenance and Service Parts Continued

Spool replacement kit model number structure

- 1) Identify the valve size code, located in the Valve size and type (B) section of the AMOT valve part number.
- 2) Identify the internal materials code, located in the Internal materials (D) section of the AMOT valve part number.
- 3) Identify the proximity switch code, located in the Proximity switch options (F) section of the AMOT valve part number.
- 4) Find all 3 codes in Table 2 to identify the proper spool replacement kit required for your specific valve.

Table 2 - Spool Kit Identification

	Valve size (B)		Internal materials (D)		Proximity switch (F)		Spool replacement kit model number	Comments					
	1,2,3		2		ALL		10451X009	USA ONLY					
			4				81051X009	UK ONLY					
							10451X011	USA ONLY					
							81051X011	UK ONLY					
	A,B,C			2		ALL		10451X009-BWZ	USA ONLY				
				4				81051X009-BWZ	UK ONLY				
								10451X011-BWZ	USA ONLY				
								81051X011-BWZ	UK ONLY				
	4,5,6			6		F,J,Q		10451X001	USA ONLY				
						0,E,H,P		81051X001	UK ONLY				
				8		F,J,Q		10451X005	USA ONLY				
						0,E,H,P		81051X005	UK ONLY				
				D,E,F					6	F,J,Q		10451X003	USA ONLY
										0,E,H,P		81051X003	UK ONLY
									8	F,J,Q		10451X007	USA ONLY
										0,E,H,P		81051X007	UK ONLY
	7,8,9			4	ALL		10451X001-BWZ	USA ONLY					
	G,H,J						81051X001-BWZ	UK ONLY					
								10451X005-BWZ	USA ONLY				
								81051X005-BWZ	UK ONLY				
								10451X003-BWZ	USA ONLY				
								81051X003-BWZ	UK ONLY				
								10451X007-BWZ	USA ONLY				
								81051X007-BWZ	UK ONLY				
							81051X013	UK ONLY					
							81051X013-BWZ	UK ONLY					

Examples

Valve part number							Spool replacement kit model number	
4418F	5	E	8	X	F	04	10451X003	
4418F	7	J	4	X	0	00	81051X013	
4418F	C	A	4	X	0	04	10451X011-BWZ	

High Pressure Control Valve - Model 4418F

Maintenance and Service Parts Continued

Service parts (refer to diagrams on page 12)

Service kit parts								
Ref no.	Qty.							Description
	10450X(---)			81050X(---)				
	001	003	005	001	003	005	007	
2	1	1	-	1	1	-	-	Vent piston seal
4	1	1	1	1	1	1	1	PTFE main seal
8	1	1	1	1	1	1	1	Body seal
12	-	-	1	-	-	1	-	BP piston seal
13	1	1	1	1	1	1	1	Spool thread seal
14	1	1	-	1	1	-	-	Under PTFE vent seal
15	1	1	1	1	1	1	1	Under PTFE main seal
21	1	1	1	1	1	1	-	PTFE vent seal
22	2	2	2	2	2	2	2	Spool seal
23	1	-	-	1	1	-	-	Target rod seal
28	-	1	-	-	-	-	-	Self sealing screw
35	1	1	-	1	1	-	-	Vent seal cup seal
41	-	-	-	-	-	-	1	Spool bumper
90	-	-	-	-	1	-	-	Seal
AN	1	1	1	1	1	1	1	Krytox GPL206 grease
AC	1	1	1	1	1	1	1	Loctite 242

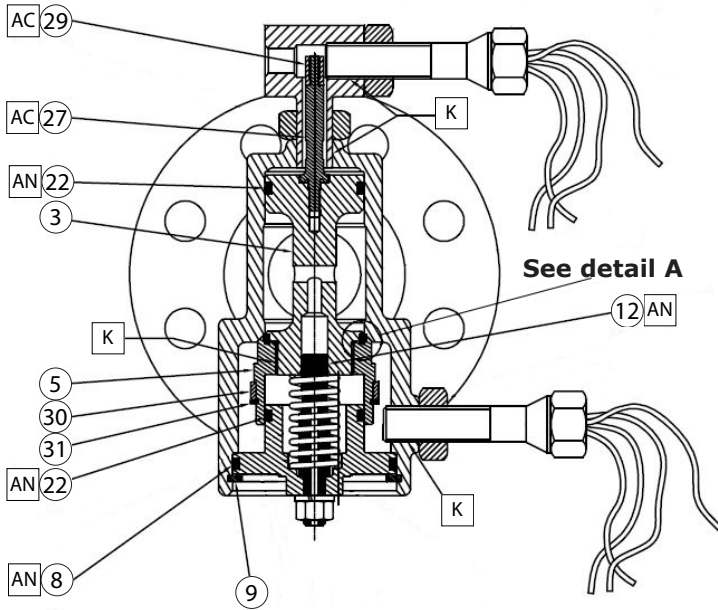
Spool replacement kit parts															
Ref no.	Qty.														Description
	10451X(---)			81051X(---)				10451X(---)-BWZ			81051X(---)-BWZ				
	001 & 003	005 & 007	009 & 011	001 & 003	005 & 007	009 & 011	013	003	007	011	003	007	011	013	
3	1	1	1	1	1	1	1	1	1	1	1	1	1	1	Upper spool
5	1	1	1	1	1	1	1	1	1	1	1	1	1	1	Lower spool
9	1	1	1	1	1	1	1	1	1	1	1	1	1	1	Internal retaining ring
16	1	1	-	1	1	-	-	1	1	-	1	1	-	-	Vent seal retainer
17	1	1	-	1	1	-	-	1	1	-	1	1	-	-	Vent seal cup
18	1	1	-	1	1	-	-	1	1	-	1	1	-	-	Vent stem
19	1	1	-	1	1	-	-	1	1	-	1	1	-	-	Pilot return spring
20	1	1	-	1	1	-	-	1	1	-	1	1	-	-	Vent piston
27	1	-	1	1	-	1	1	1	-	1	1	-	1	1	Target rod
28	-	-	-	-	1	-	-	-	-	-	-	1	-	-	Self sealing screw
29	1	-	1	1	-	1	1	1	-	1	1	-	1	1	Post
30	1	1	1	1	1	1	1	1	1	1	1	1	1	1	Sleeve
31	1	1	1	1	1	1	1	1	1	1	1	1	1	1	Retaining ring
42	-	-	-	-	-	-	1	-	-	-	-	-	-	1	Shoulder bolt
-	1	-	-	-	-	-	-	1	-	-	-	-	-	-	10450X001
-	-	1	-	-	-	-	-	-	1	-	-	-	-	-	10450X003
-	-	-	1	-	-	-	-	-	-	1	-	-	-	-	10450X005
-	-	-	-	1	-	-	-	-	-	-	1	-	-	-	81050X001
-	-	-	-	-	1	-	-	-	-	-	-	1	-	-	81050X003
-	-	-	-	-	-	1	-	-	-	-	-	-	1	-	81050X005
-	-	-	-	-	-	-	1	-	-	-	-	-	-	1	81050X007

High Pressure Control Valve - Model 4418F

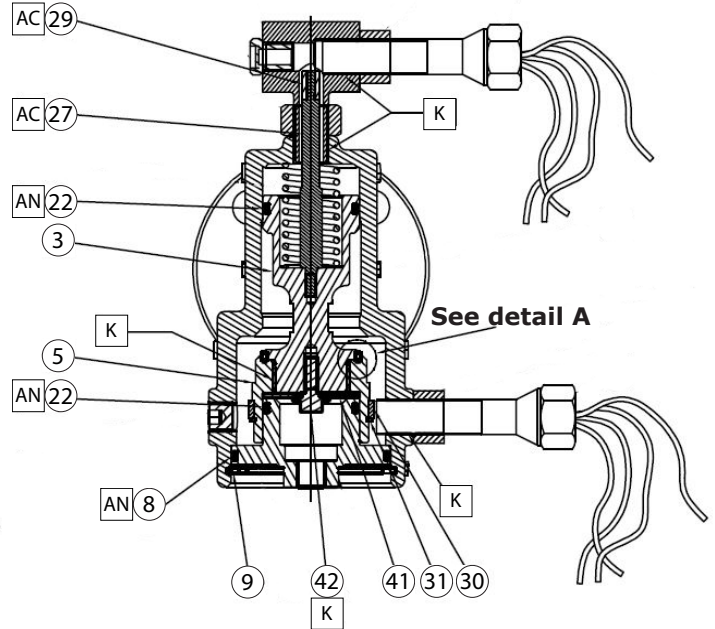
Service Kits Continued

Service parts continued

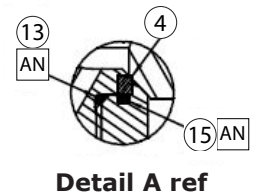
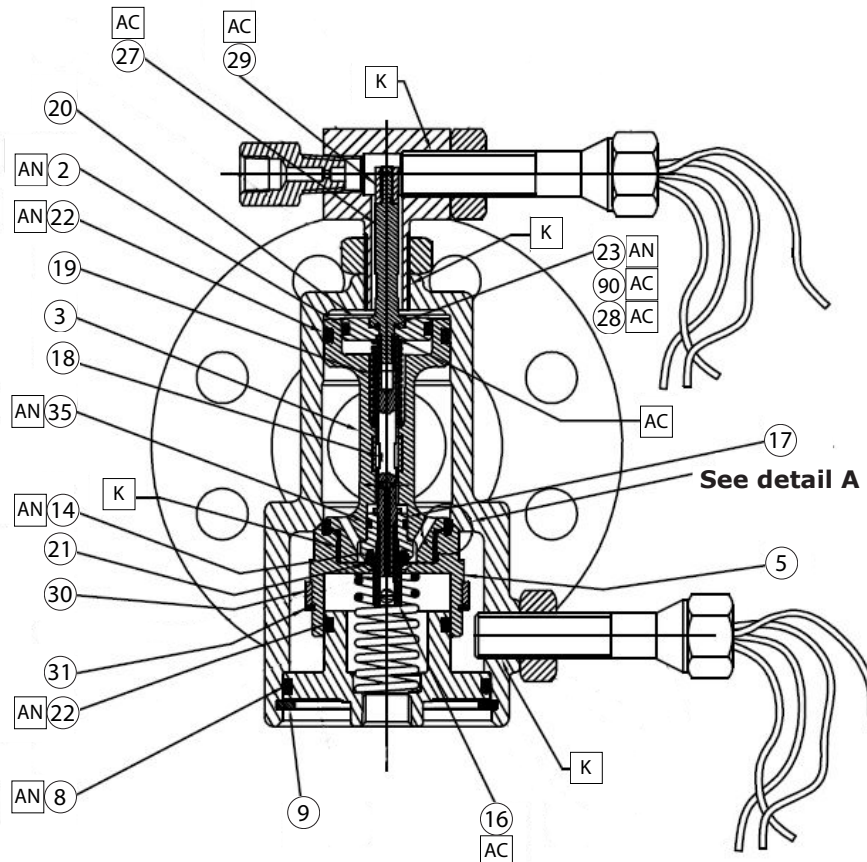
2-way normally closed



2-way normally open



2-way vented normally closed



High Pressure Control Valve - Model 4418F

Contact

Americas

AMOT USA
8824 Fallbrook Dr.
Houston, TX 77064
USA

Tel: +1 (281) 940 1800
Fax: +1 (713) 559 9419
Email: customer.service@amot.com

Asia Pacific

AMOT Shanghai
Bd. 7A, No. 568, Longpan Rd., Malu Jiading
Shanghai 201801
China

Tel: +86 21 5910 4052
Fax: +86 21 5237 8560
Email: shanghai@amot.com

Europe, Middle East and Africa

AMOT UK
Western Way
Bury St. Edmunds
Suffolk, IP33 3SZ
England

Tel: +44 1284 715739
Fax: +44 1284 760256
Email: info@amot.com

AMOT Germany
Rondenbarg 25
22525 Hamburg
Germany

Tel: +49 40 8537 1298
Fax: +49 40 8537 1331
Email: germany@amot.com

 **WARNING**

These products can expose you to chemicals including carbon black (airborne and extracts), antimony trioxide, titanium dioxide, silica (crystalline), di(2-ethylhexyl)phthalate, ethylene thiourea, acrylonitrile, 1,3-butadiene, epichlorohydrin, toluenediisocyanate, tetrafluoroethylene, ethylbenzene, formaldehyde, furfuryl alcohol, glass fibers, methyl isobutyl ketone, nickel (metallic and compounds), lead and lead compounds which are known to the state of California to cause cancer; and 1,3 butadiene, epichlorohydrin, di(2-ethylhexyl)phthalate, di-isodecyl phthalate, ethylene thiourea, methyl isobutyl ketone, toluene, lead and lead components which are known to the state of California to cause birth defects and other reproductive harm. For more information go to www.P65Warnings.ca.gov.