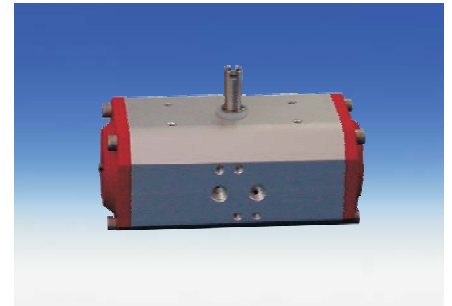
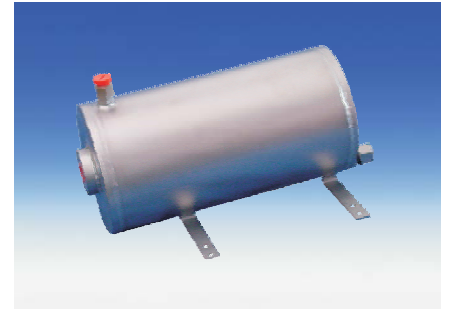
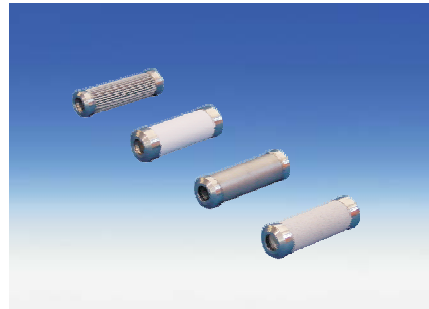
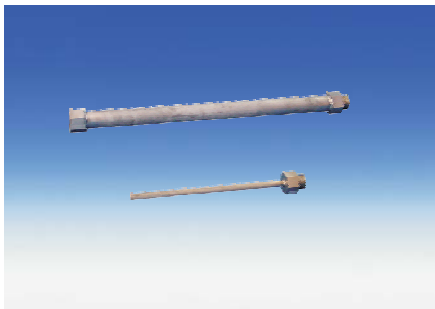
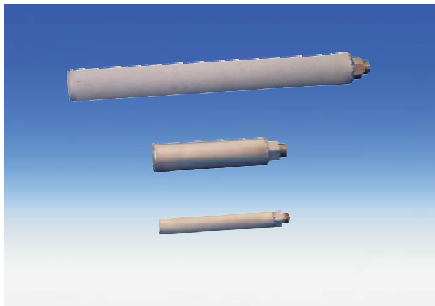
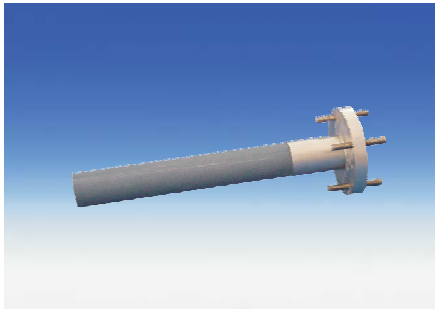


Accessories for Sample Gas Probe GAS 222



- Sample tubes
- In-situ filters
- Extensions

- Downstream filters
- Cal gas connections
- Adapter flanges

- Capacitive vessel
- Pneumatic actuators
- 3/2-way-solenoid valves
- Blowback controllers

Page 2 - 4

Page 8

Page 5 - 7

For general information, see data sheet "Sample gas probes GAS 222" DE461000.

Sample tubes, in-situ filters and extensions

- Various materials
- Various dimensions
- Heated or nonheated extensions

Sample tube	Material	T max.	Length	Part No.:	222.10	222.11	222.30	222.35-U	222.15	222.17	222.20	222.21	222.31	222.35	222.20 DH	222.20 ATEX2	222.21 ATEX2	222.31 ATEX2	222.35 ATEX2	222.10 ANSI	222.11 ANSI/ CSA	222.30 ANSI/ CSA	222.35-U ANSI/ CSA	222.15 ANSI/ CSA	222.17 ANSI/ CSA	222.20 ANSI/ CSA	222.21 ANSI/ CSA	222.31 ANSI/ CSA	222.35 ANSI/ CSA	222.20 DH ANSI/ CSA	222.20 AMEX	222.21 AMEX	222.31 AMEX	222.35 AMEX	Type GAS	
01	1.4571	600°C	300 mm	462220010300	X	X			X	X	X	X	X	X	X	X	X	X	X	X	X	X	X	X	X	X	X	X	X	X	X	X	X			
01	1.4571	600°C	500 mm	462220010500	X	X			X	X	X	X	X	X	X	X	X	X	X	X	X	X	X	X	X	X	X	X	X	X	X	X	X	X		
01	1.4571	600°C	1000 mm	462220011000	X	X			X	X	X	X	X	X	X	X	X	X	X	X	X	X	X	X	X	X	X	X	X	X	X	X	X	X		
01	1.4571	600°C	1500 mm	462220011500	X	X			X	X	X	X	X	X	X	X	X	X	X	X	X	X	X	X	X	X	X	X	X	X	X	X	X	X		
01	1.4571	600°C	2000 mm	462220012000	X	X			X	X	X	X	X	X	X	X	X	X	X	X	X	X	X	X	X	X	X	X	X	X	X	X	X	X		
02	Ceramics / 1.4571	1600°C	0.5 m	4622200205	X	X			X	X	X	X	X	X	X	X	X	X	X	X	X	X	X	X	X	X	X	X	X	X	X	X	X	X		
02	Ceramics / 1.4571	1600°C	1.0 m	4622200210	X	X			X	X	X	X	X	X	X	X	X	X	X	X	X	X	X	X	X	X	X	X	X	X	X	X	X	X		
02	Ceramics / 1.4571	1600°C	1.5 m	4622200215	X	X			X	X	X	X	X	X	X	X	X	X	X	X	X	X	X	X	X	X	X	X	X	X	X	X	X	X		
06	Hastelloy / 1.4571	400°C	500 mm	462220060500	X	X			X	X	X	X	X	X	X	X	X	X	X	X	X	X	X	X	X	X	X	X	X	X	X	X	X	X		
06	Hastelloy / 1.4571	400°C	1000 mm	462220061000	X	X			X	X	X	X	X	X	X	X	X	X	X	X	X	X	X	X	X	X	X	X	X	X	X	X	X	X		
06	Hastelloy / 1.4571	400°C	1500 mm	462220061500	X	X			X	X	X	X	X	X	X	X	X	X	X	X	X	X	X	X	X	X	X	X	X	X	X	X	X	X		
06	Hastelloy / 1.4571	400°C	2000 mm	462220062000	X	X			X	X	X	X	X	X	X	X	X	X	X	X	X	X	X	X	X	X	X	X	X	X	X	X	X	X		
08	Inconel / 1.4571	1050°C	500 mm	462220040500	X	X			X	X	X	X	X	X	X	X	X	X	X	X	X	X	X	X	X	X	X	X	X	X	X	X	X	X		
08	Inconel / 1.4571	1050°C	1000 mm	462220041000	X	X			X	X	X	X	X	X	X	X	X	X	X	X	X	X	X	X	X	X	X	X	X	X	X	X	X	X		
08	Inconel / 1.4571	1050°C	1500 mm	462220041500	X	X			X	X	X	X	X	X	X	X	X	X	X	X	X	X	X	X	X	X	X	X	X	X	X	X	X	X		
08	Inconel / 1.4571	1050°C	2000 mm	462220042000	X	X			X	X	X	X	X	X	X	X	X	X	X	X	X	X	X	X	X	X	X	X	X	X	X	X	X	X		
08	Inconel / 1.4571	1050°C	2500 mm	462220042500	X	X			X	X	X	X	X	X	X	X	X	X	X	X	X	X	X	X	X	X	X	X	X	X	X	X	X	X		
12	1.4571	600°C	500 mm	462220160500	X	X			X	X	X	X	X	X	X	X	X	X	X	X	X	X	X	X	X	X	X	X	X	X	X	X	X	X		
12	1.4571	600°C	1000 mm	462220161000	X	X			X	X	X	X	X	X	X	X	X	X	X	X	X	X	X	X	X	X	X	X	X	X	X	X	X	X		
12	1.4571	600°C	1500 mm	462220161500	X	X			X	X	X	X	X	X	X	X	X	X	X	X	X	X	X	X	X	X	X	X	X	X	X	X	X	X		
12	1.4571	600°C	2000 mm	462220162000	X	X			X	X	X	X	X	X	X	X	X	X	X	X	X	X	X	X	X	X	X	X	X	X	X	X	X	X		
13	Kanthal / 1.4571	1400°C	up to 1 m	46222017	X	X			X	X	X	X	X	X	X	X	X	X	X	X	X	X	X	X	X	X	X	X	X	X	X	X	X	X		
	Sample tube with demister PVDF/ETFE	120°C	800 mm	46222040	X	X			X	X	X	X	X	X	X	X	X	X	X	X	X	X	X	X	X	X	X	X	X	X	X	X	X	X		
	Demister ETFE / as spare part	120°C		462220402	X	X			X	X	X	X	X	X	X	X	X	X	X	X	X	X	X	X	X	X	X	X	X	X	X	X	X	X		
	Sample tube with demister / 1.4571	400°C	300 mm	4622204203	X	X			X	X	X	X	X	X	X	X	X	X	X	X	X	X	X	X	X	X	X	X	X	X	X	X	X	X		
	Sample tube with demister / 1.4571	400°C	500 mm	4622204205	X	X			X	X	X	X	X	X	X	X	X	X	X	X	X	X	X	X	X	X	X	X	X	X	X	X	X	X		
	Sample tube with demister / 1.4571	400°C	1000 mm	4622204210	X	X			X	X	X	X	X	X	X	X	X	X	X	X	X	X	X	X	X	X	X	X	X	X	X	X	X	X		
	Demister 1.4571 / as spare part	400°C		4611004	X	X			X	X	X	X	X	X	X	X	X	X	X	X	X	X	X	X	X	X	X	X	X	X	X	X	X	X		

Sample tubes, in-situ filters and extensions

- Various materials
- Various dimensions
- Heated or nonheated extensions

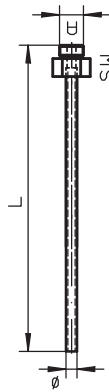
In-situ filter		Part No.:	Type GAS																					
Material	T max.	Length	Pore size	222.10	222.11	222.30	222.35-U	222.15	222.17	222.20	222.21	222.31	222.35	222.20 DH	222.20 ANSI/ CSA	222.21 ANSI/ CSA	222.31 ANSI/ CSA	222.35 ANSI/ CSA	222.20 DH ANSI/ CSA	222.20 AMEX	222.21 AMEX	222.31 AMEX	222.35 AMEX	
03 stainless steel	600°C	237 mm	5 µm		X							X												
03F stainless steel	600°C	237 mm	0.5 µm		X							X												
03H Hastelloy	600°C	237 mm	5 µm		X							X												
03HF Hastelloy	600°C	237 mm	0.5 µm		X							X												
031 stainless steel, with displacer	600°C	237 mm	5 µm		X							X												
031F stainless steel, with displacer	600°C	237 mm	0.5 µm		X							X												
031H Hastelloy, with displacer	600°C	237 mm	5 µm		X							X												
031HF Hastelloy, with displacer	600°C	237 mm	0.5µm		X							X												
04 stainless steel	600°C	538 mm	5 µm		X							X												
04F stainless steel	600°C	538 mm	0.5 µm		X							X												
04H Hastelloy	600°C	538 mm	5 µm		X							X												
04HF Hastelloy	600°C	538 mm	0.5 µm		X							X												
041 stainless steel, with displacer	600°C	538 mm	5 µm		X							X												
041F stainless steel, with displacer	600°C	538 mm	0.5 µm		X							X												
041H Hastelloy, with displacer	600°C	538 mm	5 µm		X							X												
041HF Hastelloy, with displacer	600°C	538 mm	0.5 µm		X							X												
07 Ceramics / 1,4571	1000°C ¹⁾	478 mm	2 µm		X							X												
07F Ceramics / 1,4571	1000°C ¹⁾	478 mm	0.3 µm		X							X												
07 ANSI Ceramics / 1,4571	1000°C ¹⁾	478 mm	2 µm																					
35 stainless steel	600°C	229 mm	5 µm			X																		
35F stainless steel	600°C	229 mm	0.5 µm			X																		

* Prices and delivery time on request

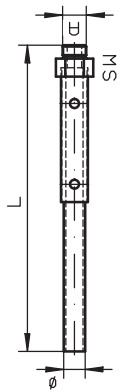
1) Hot gas filtration, oxidizing atmosphere max. 750 °C
Hot gas filtration, reductive atmosphere max. 600 °C

Entnahmerohre / tubes

Typ	L	ø	A	SW
01	var.	12	G3/4	36
06	var.	12	G3/4	36
08	var.	21,3	G3/4	36
12	var.	20	G3/4	36
13	var.	15	G3/4	36
14	var.	18	G3/4	36

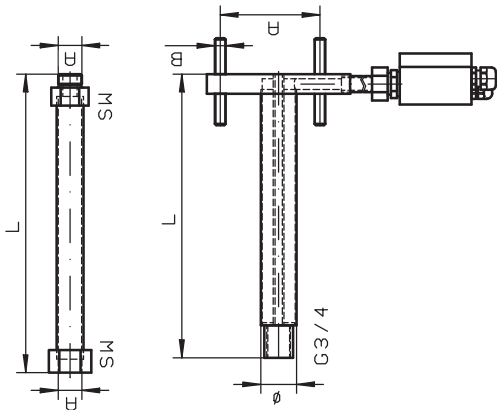


Typ	L	ø	A	SW
02-0,5	500	24	G3/4	36
02-1,0	1000	24	G3/4	36
02-1,5	1500	24	G3/4	36



Verlängerungen / extensions

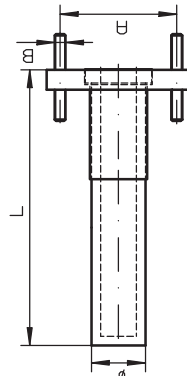
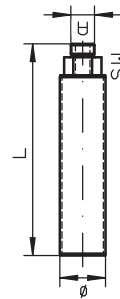
Unbeheizt / unheated				
Typ	L	A	SW	
G3/4	0,2-2 m	G3/4	36	
G1/2	0,25-1,5m	G1/2	27	



Beheizt / heated				
Typ	L	ø	A	B
GF	500	40	DN65 PNG	M12
GF	1000	40	DN65 PNG	M12
GF ANSI/CSA	500	40	DN3"-150	M16
GF ANSI/CSA	1000	40	DN3"-150	M16

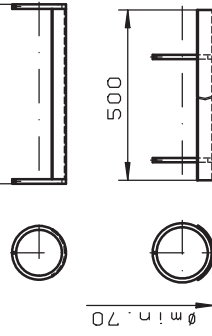
Eintrittsfilter / in-situ filter

Typ	L	ø	A	SW
03	237	51	G3/4	36
031	237	51	G3/4	36
04	538	60	G3/4	36
041	538	60	G3/4	36
35	229	29	G1/2	27



Abweisblech / protection shield

Eintrittsfilter / in-situ filter 03



Eintrittsfilter / in-situ filter 04

alle Konten ggf. freigegeben Überflächensymbol bei Leistungszeichen		ALLE RECHTE VORBEHALTEN		Maße ohne Toleranzen nach ISO 2768-mk		Maßstab 1:5 (Gewicht)	
<input checked="" type="checkbox"/> = $R_{a,16}$ <input checked="" type="checkbox"/> = $R_{a,6,3}$ <input checked="" type="checkbox"/> = $R_{a,16}$ <input checked="" type="checkbox"/> = $R_{a,4}$	<input type="checkbox"/> = $R_{a,16}$ <input type="checkbox"/> = $R_{a,6,3}$ <input type="checkbox"/> = $R_{a,16}$ <input type="checkbox"/> = $R_{a,4}$	Datum 21.01.2004	Name B. H.	Bezeichnung Rohr-/Filter/Verlängerungen tubes/filter/extensions GAS 222	Zeichnung-Nr. 46/107-Z01-01-3A	Art.-Nr.	ARBEITSRZEICHNUNG
0 NEU 79.09.06 B.		0 NEU 79.09.06 B.		BUHLER		Zeichnung-Nr. 46/107-Z01-01-3A	
Zus. Fnd. Datum Name Ers fUr		Zus. Fnd. Datum Name Ers fUr		Zus. Fnd. Datum Name Ers fUr		Zus. Fnd. Datum Name Ers fUr	

Blowback

- With ball valve or solenoid valve
- Heated or nonheated
- Manuell or automatic control

Capacitive vessel	Ambient temperature	Part No.:	222.10	222.11	222.30	222.35-U	222.15	222.17	222.20	222.21	222.31	222.35	222.20 DH	222.20 Atex	222.21 Atex	222.31 Atex	222.35 Atex	222.20 Atex2	222.21 Atex2	222.31 Atex2	222.35 Atex2	222.10 ANSI	222.11 ANSI/CSA	222.30 ANSI/CSA	222.35-U ANSI/CSA	222.15 ANSI/CSA	222.17 ANSI/CSA	222.20 ANSI/CSA	222.21 ANSI/CSA	222.31 ANSI/CSA	222.35 ANSI/CSA	222.20 DH ANSI/CSA	222.21 AMEX	222.20 AMEX	222.21 AMEX	222.31 AMEX	222.35 AMEX	Type GAS			
PAV 01		46222PAV	X	X	X	X	X	X	X	X	X	X	X	X	X	X	X	X	X	X	X	X	X	X	X	X	X	X	X	X	X	X	X	X	X	X	X	X	X		
Accessories for capacitive vessel																																									
ball valve		46222PAVKH	X	X	X	X	X	X	X	X	X	X	X	X	X	X	X	X	X	X	X	X	X	X	X	X	X	X	X	X	X	X	X	X	X	X	X	X	X		
2/2-way-MV 24VDC*	-10 ... +55°C	46222PAMV1	X	X	X	X	X	X	X	X	X	X	X	X	X	X	X	X	X	X	X	X	X	X	X	X	X	X	X	X	X	X	X	X	X	X	X	X	X		
2/2-way-MV 110V 50Hz	-10 ... +55°C	46222PAMV2	X	X	X	X	X	X	X	X	X	X	X	X	X	X	X	X	X	X	X	X	X	X	X	X	X	X	X	X	X	X	X	X	X	X	X	X	X		
2/2-way-MV 220-230V 50/60Hz	-10 ... +55°C	46222PAMV3	X	X	X	X	X	X	X	X	X	X	X	X	X	X	X	X	X	X	X	X	X	X	X	X	X	X	X	X	X	X	X	X	X	X	X	X	X		
2/2-way-MV 110VUC ATEX II 2G/D EEx m II T4 IP65	-10 ... +60°C	46222PAMV4	X	X	X	X	X	X	X	X	X	X	X	X	X	X	X	X	X	X	X	X	X	X	X	X	X	X	X	X	X	X	X	X	X	X	X	X	X		
2/2-way-MV 230VUC ATEX II 2G/D EEx m II T4 IP65	-10 ... +60°C	46222PAMV5	X	X	X	X	X	X	X	X	X	X	X	X	X	X	X	X	X	X	X	X	X	X	X	X	X	X	X	X	X	X	X	X	X	X	X	X	X		
2/2-way-AMEX 24 V/60 Hz Cl. I Div 2	-10 ... +55°C	46222PAMV14	X	X	X	X	X	X	X	X	X	X	X	X	X	X	X	X	X	X	X	X	X	X	X	X	X	X	X	X	X	X	X	X	X	X	X	X	X		
2/2-way-AMEX 120 V/60 Hz Cl. I Div 2	-10 ... +55°C	46222PAMV8	X	X	X	X	X	X	X	X	X	X	X	X	X	X	X	X	X	X	X	X	X	X	X	X	X	X	X	X	X	X	X	X	X	X	X	X	X		
2/2-way-AMEX 240 V/60 Hz Cl. I Div 2	-10 ... +55°C	46222PAMV9	X	X	X	X	X	X	X	X	X	X	X	X	X	X	X	X	X	X	X	X	X	X	X	X	X	X	X	X	X	X	X	X	X	X	X	X	X		
self regulated heating system 115/230V 50/60Hz		46222PAVHZ1	X	X	X	X	X	X	X	X	X	X	X	X	X	X	X	X	X	X	X	X	X	X	X	X	X	X	X	X	X	X	X	X	X	X	X	X	X		
self regulated heating system 115-230V 50/60Hz ATEX 2		46222PAVHZ2																																							
II 3G Ex nA IIC T3 Gc X		46222PAVHZ3																																							
II 3G Ex nA IIC T4 Gc X		46222PAVHZ4																																							
self regulated heating system AMEX, 115-230V, 50/60 Hz, Cl. I Div 2 B.C.D.T3		46222PAVHZ6																																							
self regulated heating system AMEX, 115-230V, 50/60 Hz, Cl. I Div 2 B.C.D.T4																																									
support of pressurised vessel		462223502																																							
Bourdon tube pressure gauge 0-10 bar		46222PAMA	X	X	X	X	X	X	X	X	X	X	X	X	X	X	X	X	X	X	X	X	X	X	X	X	X	X	X	X	X	X	X	X	X	X	X	X	X	X	
Pneumatic actuators																																									
spring return, opened unpressurised		46222008	X	X	X	X	X	X	X	X	X	X	X	X	X	X	X	X	X	X	X	X	X	X	X	X	X	X	X	X	X	X	X	X	X	X	X	X	X	X	
spring return, closed unpressurised		46222030	X	X	X	X	X	X	X	X	X	X	X	X	X	X	X	X	X	X	X	X	X	X	X	X	X	X	X	X	X	X	X	X	X	X	X	X	X	X	
double action		46222009	X	X	X	X	X	X	X	X	X	X	X	X	X	X	X	X	X	X	X	X	X	X	X	X	X	X	X	X	X	X	X	X	X	X	X	X	X	X	
limit switch		9008928	X	X	X	X	X	X	X	X	X	X	X	X	X	X	X	X	X	X	X	X	X	X	X	X	X	X	X	X	X	X	X	X	X	X	X	X	X	X	
limit switch ATEX II 2G/3D IIC T6 IP65		9008930	X	X	X	X	X	X	X	X	X	X	X	X	X	X	X	X	X	X	X	X	X	X	X	X	X	X	X	X	X	X	X	X	X	X	X	X	X	X	
limit switch ATEX II 2G/2D IIC T6 IP65		9027002	X	X	X	X	X	X	X	X	X	X	X	X	X	X	X	X	X	X	X	X	X	X	X	X	X	X	X	X	X	X	X	X	X	X	X	X	X	X	
3/2-way-SV for controlling of pneumatic actuator																																									
24 VDC	-10 ... +55°C	46222075	X	X	X	X	X	X	X	X	X	X	X	X	X	X	X	X	X	X	X	X	X	X	X	X	X	X	X	X	X	X	X	X	X	X	X	X	X	X	
110 V 50 Hz	-10 ... +55°C	46222076	X	X	X	X	X	X	X	X	X	X	X	X	X	X	X	X	X	X	X	X	X	X	X	X	X	X	X	X	X	X	X	X	X	X	X	X	X	X	
230 V 50 Hz	-10 ... +55°C	46222077	X	X	X	X	X	X	X	X	X	X	X	X	X	X	X	X	X	X	X	X	X	X	X	X	X	X	X	X	X	X	X	X	X	X	X	X	X	X	
ATEX 24 V UC II 2G/D EEx m II T4	-10 ... +60°C	46222078	X	X	X	X	X	X	X	X	X	X	X	X	X	X	X	X	X	X	X	X	X	X	X	X	X	X	X	X	X	X	X	X	X	X	X	X	X	X	
ATEX 110 V UC II 2G/D EEx m II T4	-10 ... +60°C	46222079	X	X	X	X	X	X	X	X	X	X	X	X	X	X	X	X	X	X	X	X	X	X	X	X	X	X	X	X	X	X	X	X	X	X	X	X	X	X	
ATEX 230 V UC II 2G/D EEx m II T4	-10 ... +60°C	46222080	X	X	X	X	X	X	X	X	X	X	X	X	X	X	X	X	X	X	X	X	X	X	X	X	X	X	X	X	X	X	X	X	X	X	X	X	X	X	
AMEX 24 V 60 Hz, NPT1/4", Cl. I Div 2	-10 ... +55°C	46222116	X	X	X	X	X	X	X	X	X	X	X	X	X	X	X	X	X	X	X	X	X	X	X	X	X	X	X	X	X	X	X	X	X	X	X	X	X	X	
AMEX 120 V 60 Hz, NPT1/4", Cl. I Div 2	-10 ... +55°C	46222050	X	X	X	X	X	X	X	X	X	X	X	X	X	X	X	X	X	X	X	X	X	X	X	X	X	X	X	X	X	X	X	X	X	X	X	X	X	X	
AMEX 240 V 60 Hz, NPT1/4", Cl. I Div 2	-10 ... +55°C	46222056	X	X	X	X	X	X	X	X	X	X	X	X	X	X	X	X	X	X	X	X	X	X	X	X	X	X	X	X	X	X	X	X	X	X	X	X	X	X	
5/2-way-SV for controlling of pneumatic actuator																																									
		9148000117	X	X	X	X	X	X	X	X	X	X	X	X	X	X	X	X	X	X	X	X	X	X	X	X	X	X	X	X	X	X	X	X	X	X	X	X	X	X	
Blowback controller																																									
RSS 24 VDC, IP65		46222199	X	X	X	X	X	X	X	X	X	X	X	X	X	X	X	X	X	X	X	X	X	X	X	X	X	X	X	X	X	X	X	X	X	X	X	X	X	X	
RSS 115/230 VAC, IP65		46222299	X	X	X	X	X	X	X	X	X	X	X	X	X	X	X	X	X	X	X	X	X	X	X	X	X	X	X	X	X	X	X	X	X	X	X	X	X	X	
RSS-MC integrated into probe controller cabinet		46222392	X	X	X	X	X	X	X	X	X	X	X	X	X	X	X	X	X	X	X	X	X	X	X	X	X	X	X	X	X	X	X	X	X	X	X	X	X	X	

*max. pressure 6 bar

Details:

A) Blowback

Ordering note for capacitive vessel:

For attachment to GAS 222.11 / 30 / 35-U, a support is required.

Ordering note for pneumatic actuator:

If a blowback controller is required, only actuator P/N 46222030 is possible.

We advise the installation of a position indicator switch to control the pneumatic actuator.

Integrated blowback controller in the probe controller

In addition to the stand-alone blowback controller (RRS), an integrated blowback controller is optionally available

Blowback cycle time and actual blowback time can be adjusted via the keys and menu of the controller. The blowback and manual operation will be shown on the display. The blowback controller can be programmed via the keys – manual or automatic operation is possible. Besides the status output of the controller, a blowback status signal is provided. Blowback will be usually initiated by signals coming from the main controls.

If the position indicator switch is installed, the controller will use this input for the process logic.

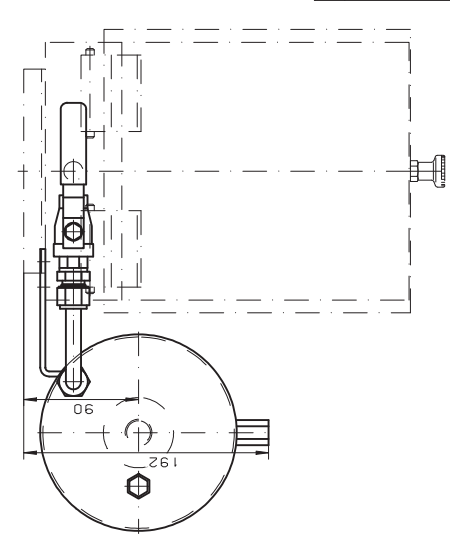
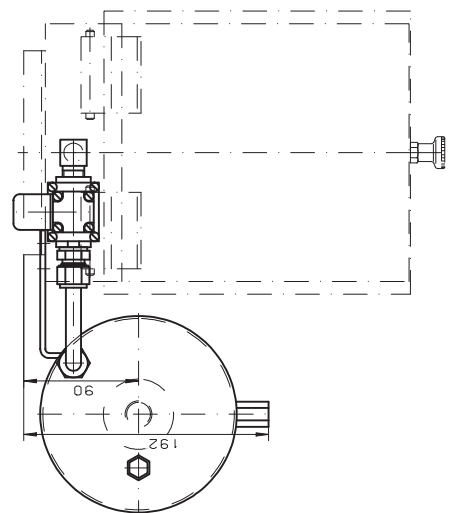
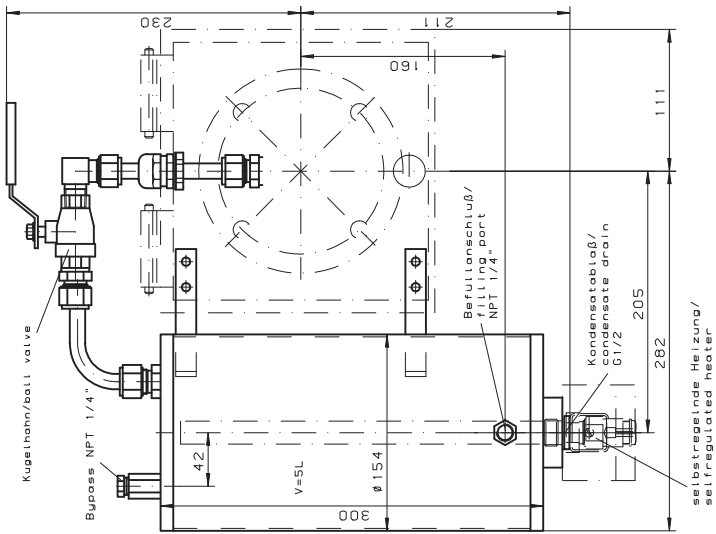
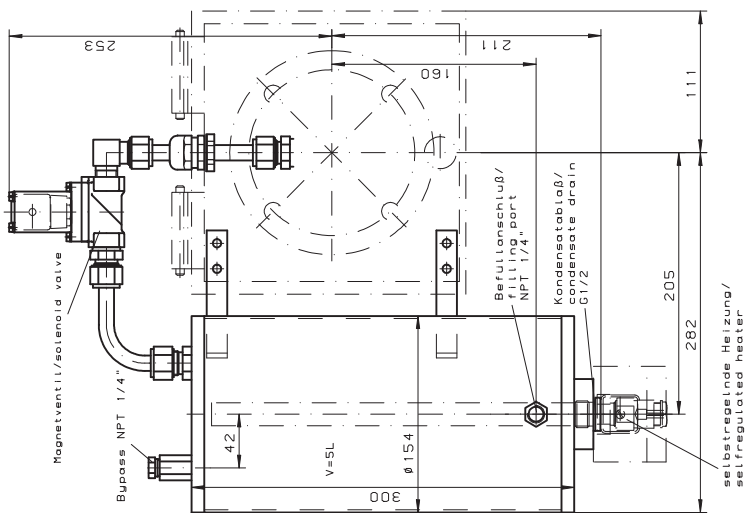
B) Hazardous Areas

Please note that installed accessories may change the approved category of the probe. Follow strictly the advices given in the installation- and operation manual and regard the marking on the type plate.

Sample Gas Probe GAS 222.xx Atex		
Model	with Accessories	resulting restricted area; marking
21 Atex, 31 Atex, 35 Atex	Pressure vessel PAV 01 (Part-No. 46222PAV with accessories)	II 1D / 2GD
21 Atex, 31 Atex,	In situ filter*, ceramics (Art.-Nr.:46222307 + 46222307F)	II 1D 3G / 2GD
20 Atex , 21 Atex,	Downstream filter*, ceramic (Part-No. 46222026 + 46222026P)	II 1D 3G / 2GD
20 Atex, 21 Atex,	Sample tube (Part-No. 46222001, 462220011, 46222006, 46222004, 46222016)	II 1G / 2GD
20 Atex, 21 Atex,	Sample tube**, ceramics (Part-No. 4622200205, 4622200210, 4622200215)	II 3G / 2GD
21 Atex, 31 Atex,	Pneumatic cylinder with end switch Atex (Part-No. 46222019)	II 1GD / 2G3D

* Accessory not suitable for sampling dust with extremely low ignition energy < 3mJ.

** When gases are sampled from Zone 2, ceramic sample tube must be used only if application related or process related electrostatic charging is eliminated.



Pressão máx. de funcionamento 10 bar
 Temperatura máx. de funcionamento 50 °C
 "Alterações apenas permitidas depois de acordadas
 com o responsável da Atex"

max. Betriebsdruck/operating pressure 10bar
 max. Betriebstemperatur/operating temperature 50 °C

"Alterações nur nach Rücksprache
 mit dem Atexbeauftragten zulässig"

alle Kanten großfrei überflächbar bei Fertigungszustand	<input checked="" type="checkbox"/> R <input checked="" type="checkbox"/> R <input checked="" type="checkbox"/> R <input checked="" type="checkbox"/> R	Maße ohne Toleranzangabe nach ISO 2768-MK	Maßstab 1:2,5 (Gewicht)
ALLE RECHTE VORBEHALTEN	Hersteller	Benennung: Druckluftbehälter/ capacitive vessel PAV 01	Zeichnung-Nr. 46/106-Z01-01-2 Rr.-Nr.
Datum 05.07.2011	Name Br. Mann	Zeichnung-Nr. 46/106-Z01-01-2 Rr.-Nr.	ARBEITSSCHÜTZUNG
Zeichnung-Nr.	Rr.-Nr.	Zeichnung-Nr. 46/106-Z01-01-2 Rr.-Nr.	ARBEITSSCHÜTZUNG

Downstream filter elements and further options

Downstream filter		Part no.:	222.10	222.11	222.30	222.35-U	222.15	222.17	222.20	222.21	222.31	222.35	222.20 DH	222.21 ATEX	222.31 ATEX	222.35 ATEX	222.20 ATEX2	222.21 ATEX2	222.31 ATEX2	222.35 ATEX2	222.10 ANSI	222.11 ANSI/ CSA	222.30 ANSI/ CSA	222.35-U ANSI/ CSA	222.15 ANSI/ CSA	222.17 ANSI/ CSA	222.20 ANSI/ CSA	222.31 ANSI/ CSA	222.35 ANSI/ CSA	222.20 DH ANSI/ CSA	222.20 AMEX	222.21 AMEX	222.31 AMEX	222.35 AMEX	Type GAS					
Material	O-Rings	Pore size																																						
Ceramics	Viton	3 µm	X																																					
Ceramics	Perfluorelastomer	3 µm	X																																					
Sintered stainless steel	Viton	5 µm	X																																					
Sintered stainless steel	Perfluorelastomer	5 µm	X																																					
Sintered stainless steel	Viton	0.5 µm	X																																					
Sintered stainless steel	Perfluorelastomer	0.5 µm	X																																					
Pleated stainless steel	Viton	10 µm	X																																					
Pleated stainless steel	Perfluorelastomer	10 µm	X																																					
Handle for downstream filter with micro glass fibre element			X																																					
Micro glass fiber with silicate binder	Viton		X																																					
Micro glass fiber with silicate binder	Perfluorelastomer		X																																					
Closing handle with filter tube and filter wool	Viton		X																																					
Closing handle with filter tube and filter wool	Perfluorelastomer		X																																					
Filter wool			X																																					
Set of O-rings Viton incl. grease			X																																					
Set of O-rings Perfluorelastomer incl. grease			X																																					
Further options																																								
Adapter flange ANSI 3"-150lbs			X																																					
Cal gas connection ø6mm			X																																					
Cal gas connection ø6mm with check valve			X																																					
Cal gas connection ø1/4"			X																																					
Cal gas connection ø1/4" with check vavle			X																																					
Fitting for sample gas port ø6mm			X																																					
Fitting for sample gas port ø8mm			X																																					
Fitting for back wash port ø12mm			X																																					
Ffitting for sample gas port ø1/4"			X																																					
Fitting for sample gas port ø3/8"			X																																					
Fitting for back wash port ø1/2"			X																																					
Locking screw G3/8 for backflush connection			X																																					
Sealing ring for sealing the backflush connection with a locking screw			X																																					
Mounting bracket with clamp ring for DN65 PN6			X																																					
Mounting bracket with clamp ring for ANSI 3"-150 lbs																																								

* Prices and delivery time on request