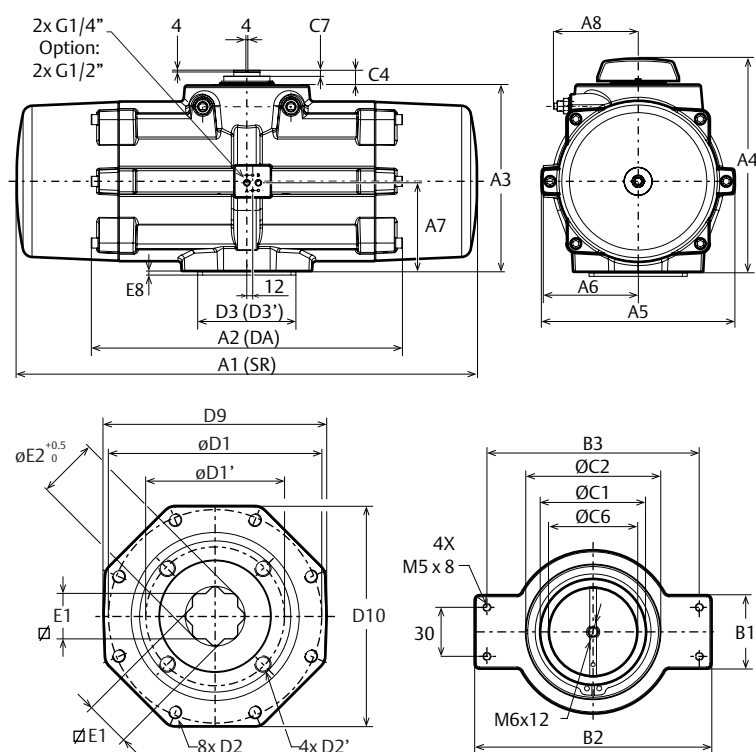


Data sheet F 4000

Metric - DIN3337



Dim. in mm		Size 4000							
A1	A2	A3	A4	A5	A6	A7	A8	E1 Max.	
959	649	389	427	400	196	184	175	55,24	
B1	B2	B3	C1	C2	C3	C4	C5	E1 Min.	
45	145	130	96	115	36	30	10	55,00	
D1	D2	D3	D1'	D2'	D3'	D9	D10	E2	
254	M16x25	200	-/-	-/-	-/-	273	269	72,2	

Torque Output (N.m)																				
Spring Return																				
Spring set	Spring Stroke Torque		Air Stroke Torque (N.m)																	
	Start	End	2.0 barg		3.0 barg		4.0 barg		4.5 barg		5.0 barg		5.5 barg		6.0 barg		7.0 barg		8.0 barg	
			Start	End	Start	End	Start	End	Start	End	Start	End	Start	End	Start	End	Start	End	Start	End
10	473	299	1237	1020	2063	1846	2889	2672	3302	3085	3715	3498	4128	3911	4541	4324	5367	5150	6193	5976
20	945	598	864	429	1690	1255	2516	2081	2929	2494	3342	2907	3755	3320	4168	3733	4994	4559	5820	5385
30	1418	896	-	-	1316	664	2142	1490	2555	1903	2968	2316	3381	2729	3794	3142	4620	3968	5446	4794
40	1891	1195	-	-	943	73	1769	899	2182	1312	2595	1725	3008	2138	3421	2551	4247	3377	5073	4203
50	2363	1494	-	-	-	-	1395	309	1808	722	2221	1135	2634	1548	3047	1961	3873	2787	4699	3613
60	2836	1793	-	-	-	-	-	-	1435	131	1848	544	2261	957	2674	1370	3500	2196	4326	3022
Double acting			1552		2348		3144		3542		3940		4338		4736		5532		6327	

Notes:

- Volume is the actual free air volume at 1 atm
- Flange and square drive to ISO 5211
- Solenoid mounting interface according to VDI/VDE 3845 (NAMUR)
- For further information regarding options, materials, certifications and additional execution please contact your regional sales office

European Directives:

- Suitable for use with group 2 gases according to Pressure Equipment Directive (PED) 2014/68/EU
- Suitable for use in hazardous areas classified II 2 GD, zones 1 or 2 (gases) and 21 or 22 (dust) according to ATEX Directive 2014/34/EU
- For the configuration code please consult EFG.02.01.EN

Principle			
Pneumatic rack & pinion actuator			
General data			
Bore		306.0	mm
Stroke		91.9	mm
Weight	DA	103.0	kg
	SR	147.0	kg
Volume	Port A	21.7	L
	Port B	19.0	L
Air connection		2x 1/4"	BSP
Pressure range	MOP	8.3	barg
	SR	3-8.3	barg
	DA	0.2 - 8.3	barg
Pressure media		Clean, dry or lubricated air or inert gas.	
Cycle speed DA ⁽²⁾	Open	9.2	Sec.
	Close	9.0	Sec.
Cycle speed SR ⁽²⁾	Open	29.1	Sec.
	Close	9.2	Sec.
Temperature range		-20°C to +80°C	
Lubrication		Lubricated for life ⁽¹⁾	
Stroke		90°	
Over / Under travel		+3° / -3° at each end	
Finish		Polyurethane powder coat	

- According to EN 15714-3.
- Test conditions:
Solenoid with flow capacity: 0.6 m³/hr; Pipe diameter: 6mm; Medium: clean air, Supply pressure: 5.5 barg ~ 80psig; Load: with average load; Stroke: 90°; Temperature: Room temperature
- Dimensions D1, D2 und D3 are standard. Dimensions D1', D2' und D3' are optional. Only Drilling pattern F25 is available with center ring.
- DA = Double Acting, SR = Spring Return