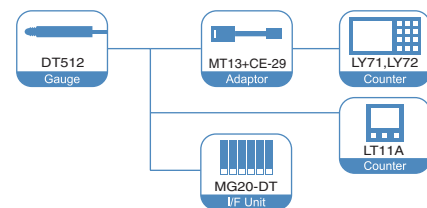


DT

DT512_{N/P}

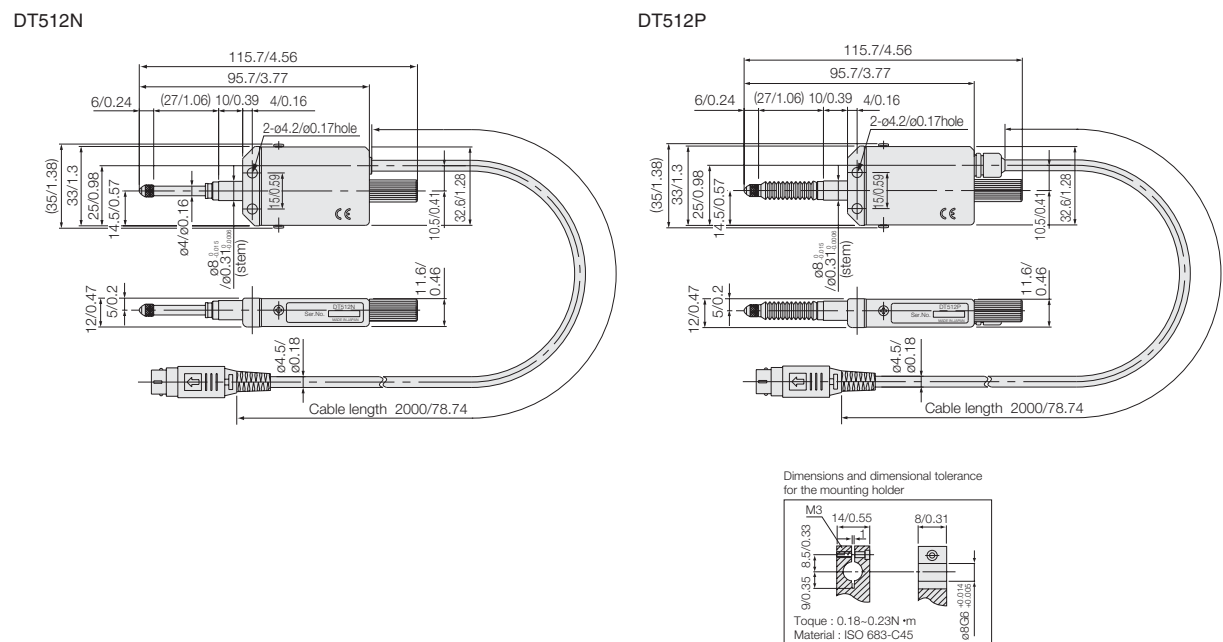
Compact and slim gauges with 1µm resolution

- Excellent resistance to workshop conditions (DT512P: IP64)
- Resistant to oil, water, dust, vibration, and shock.
- Accuracy: 6 µm
- Resolution: 1 µm
- Measuring range: 12 mm / 0.47"
- Compact size ideal for designing into machines
12 x 35 x 116 mm / 0.47" x 1.38" x 4.57" (D x W x L)



Digital Gauge

Dimensions



Unit : mm/inch

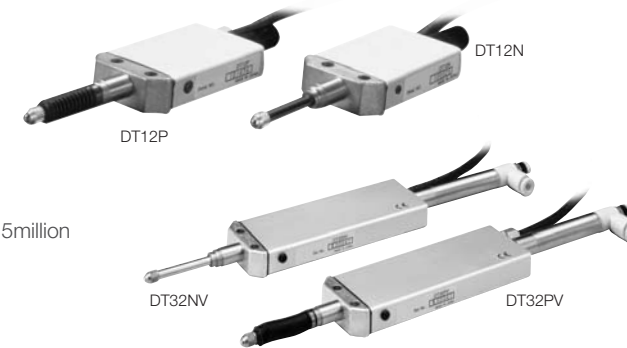
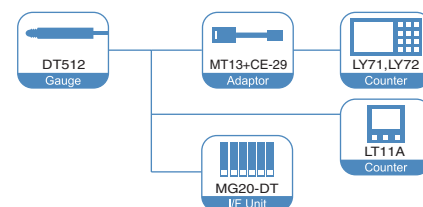
Specifications		DT512N	DT512P
Model		DT512N	DT512P
Measuring range		12 mm/0.47"	
Resolution		1 µm	
Accuracy (at 20 °C / 68 °F)		6 µm	
Measuring force	Upward	0.7 ± 0.5 N	All directions: 1.7 N or less
	Lateral	0.8 ± 0.5 N	
	Downward	0.9 ± 0.5 N	
Protective design grade		Equivalent to IP64	
Operating temperature		0 °C to 50 °C / 32 °F to 122 °F	
Storage temperature		-10 °C to 60 °C / 14 °F to 140 °F	
Cable length		2 m/6.56'	
Mounting stem diameter		ø 8 ^{+0.015} _{-0.0059} mm/ ø 0.31" ⁰ _{-0.0059} "	
Feeler		Feeler tipped with 3 mm dia. steel ball with M2.5p x 0.45 screw on fitting end	
Mass (excl. cable unit)		75 g / 2.65 oz	80 g / 2.82 oz
Guaranteed number of strokes		5 million	

DT

DT12_{N/P}, 32_{N/NV/P/PV}

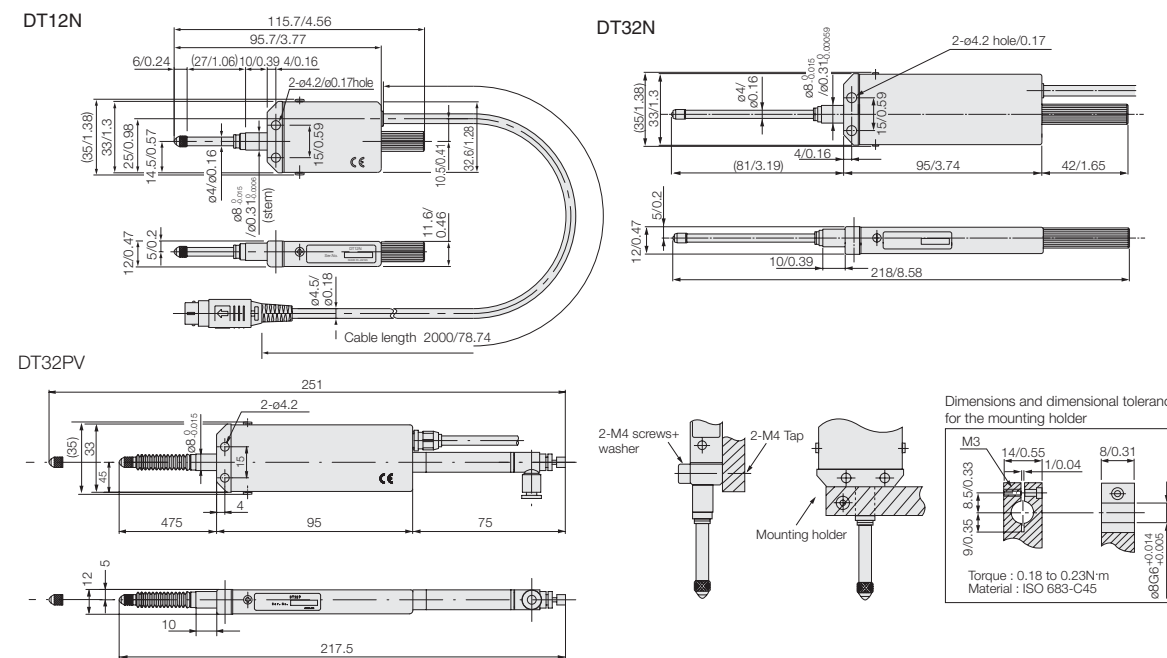
Compact and slim gauges

- Excellent resistance to workshop conditions (DT12P, DT32P/PV : IP64)
- Resistant to oil, water, dust, vibration, and shock. ● Accuracy : 10µm
- Resolution : 5µm ● Measuring range : 12mm/ 0.47", 32mm/1.26"
- Compact size ideal for designing into machines
DT12 : 12(D) x 35(W) x 116(H)mm/ 0.47" x 1.38" x 4.57"
DT32 : 12(D) x 35(W) x 218(H)mm/ 0.47" x 1.38" x 8.58"
- Pneumatic push type are also available ● Guaranteed number of strokes : 5million
- Main applications : Automatic sorting of parts



Digital Gauge

Dimensions



Unit : mm/inch

Specifications		DT12N	DT12P	DT32N	DT32NV	DT32P	DT32PV
Model		DT12N	DT12P	DT32N	DT32NV	DT32P	DT32PV
Spindle actuation		—		Pneumatic push type		Pneumatic push type	
Measuring range		12 mm/ 0.47"		32 mm/ 1.26"			
Resolution		1 µm		5 µm			
Measuring range force	Upward	0.7 ± 0.5 N	All direction: 1.7 N or less	1.1 ± 0.8 N		All direction: 2.9 N or less	All direction: *2 9 N or less
	Lateral	0.8 ± 0.5 N		1.3 ± 0.8 N			
	Downward	0.9 ± 0.5 N		1.5 ± 0.8 N			
Accuracy (at 20 °C / 68 °F)		10 µm					
Operating temperature		0 °C to 50 °C / 32 °F to 122 °F (gauge)					
Storage temperature		-10 °C to 60 °C / 14 °F to 140 °F					
Cable length		2 m/ 6.56"					
Mounting stem diameter		ø 8 ^{+0.015} _{-0.0059} mm/ ø 0.31" ⁰ _{-0.0059} "					
Feeler		Feeler tipped with ø 3 mm/ ø 0.12" dia. Carbide ball with M2.5p x 0.45 screw on fitting end (DZ-123)					
Mass*1		Approx.75 g/ 2.65 oz	Approx.80 g/ 2.82 oz	Approx.120 g/ 4.23 oz	Approx.140 g/ 4.94 oz	Approx.120 g/ 4.23 oz	Approx.140 g/ 4.94 oz
Protective design grade		—		Equivalent to IP64		Equivalent to IP64	
Guaranteed number of strokes		—		5 million			

*1 excl. cable unit and Interpolator unit.

*2 Measuring force with air pressure of 1.96 x 10⁵ Pa and speed control is open.

*3 Measuring force with air pressure of 2.35 x 10⁵ Pa and speed control is open.