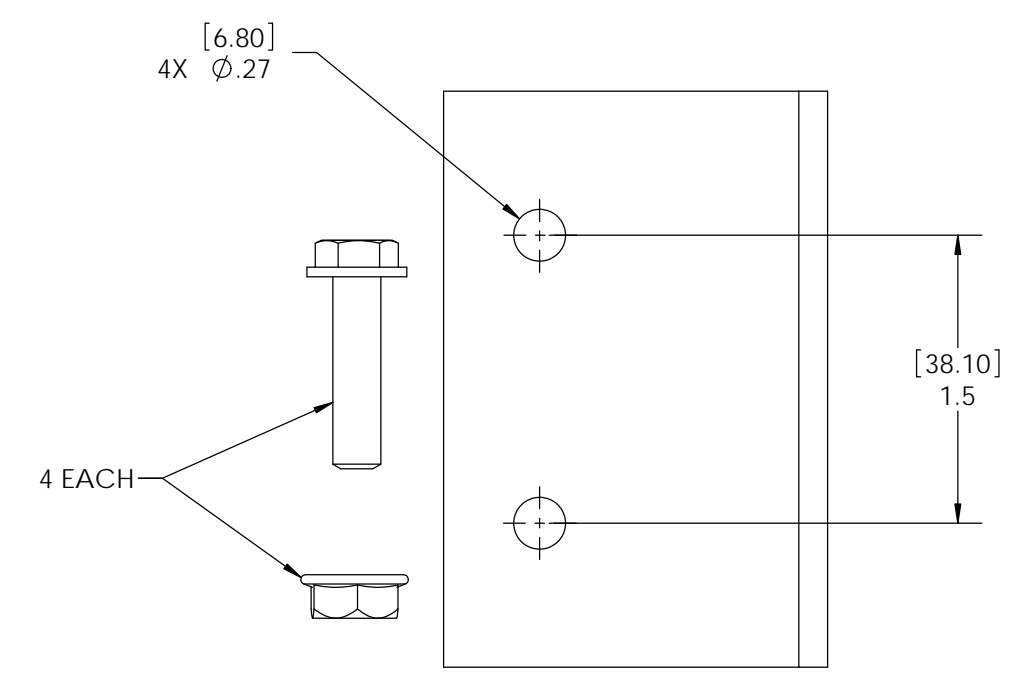
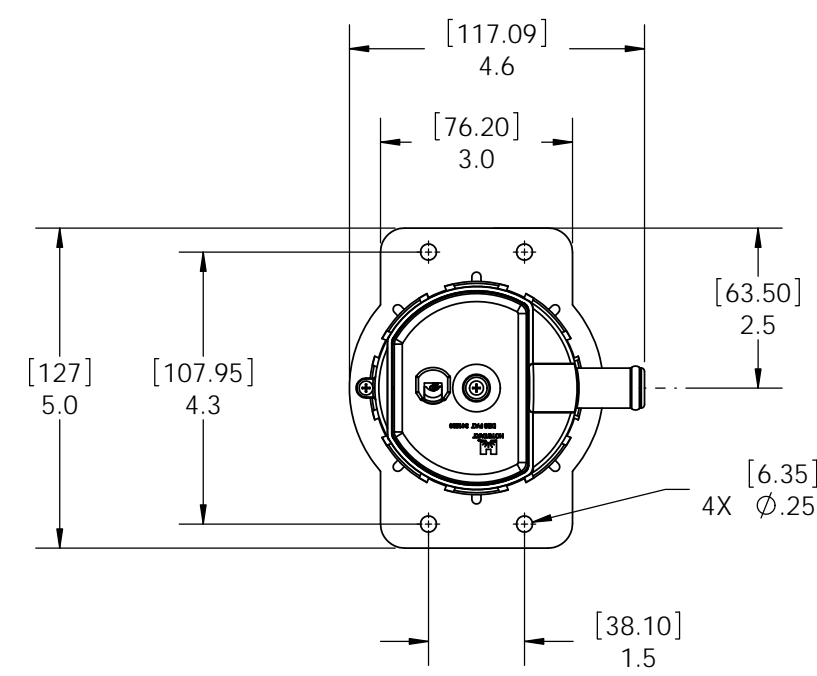
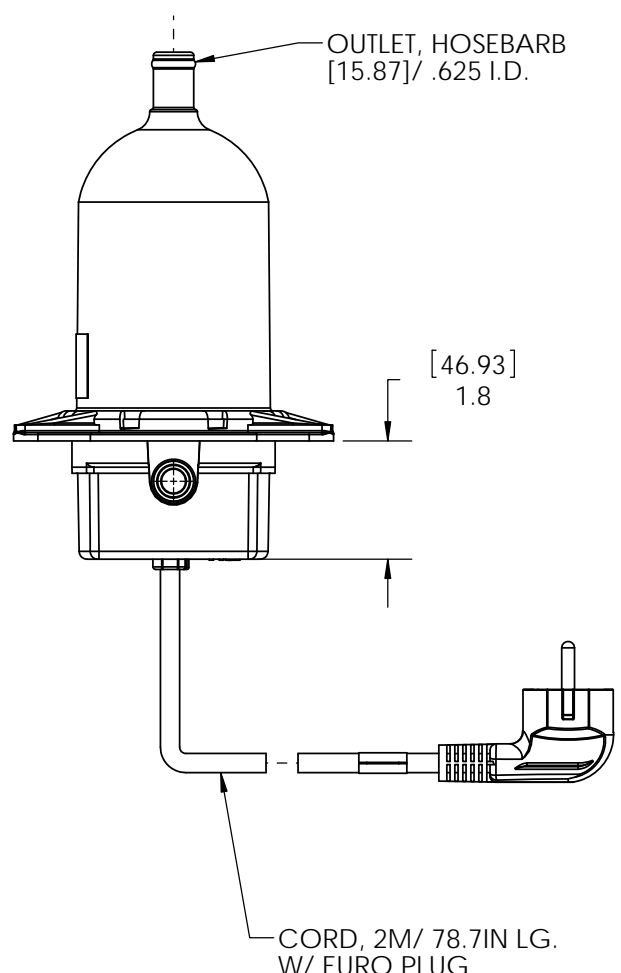
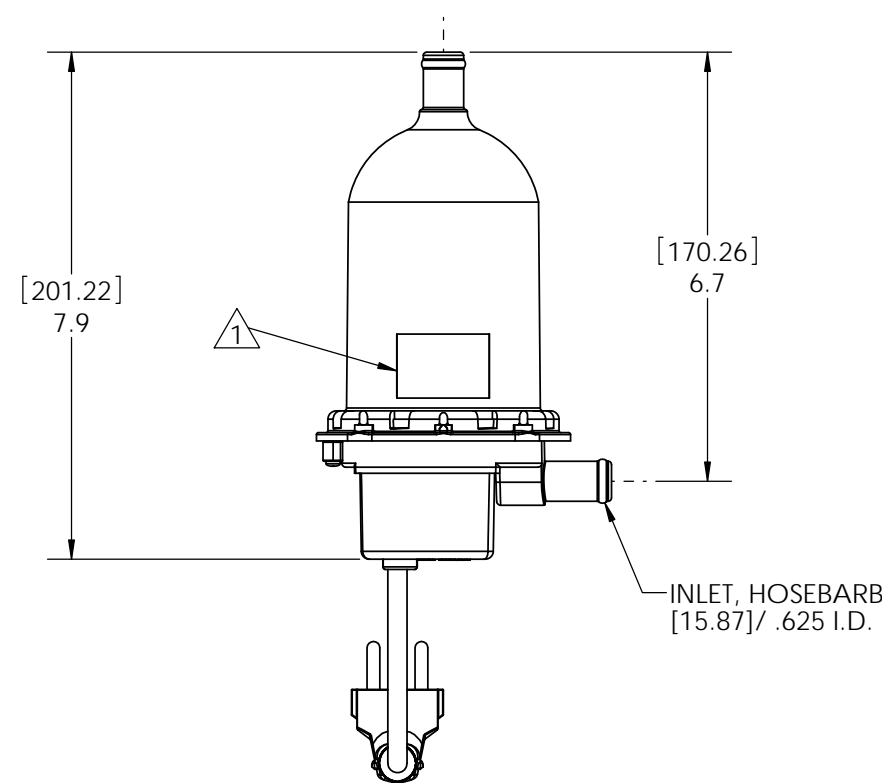


REVISIONS					
REV.	ECO	DATE	DESCRIPTION	AUTH.	DR.
1	6601	02-05-09	UPDATED DRAWING AND IFS PART DESCRIPTIONS	JH	KR



MOUNTING KIT
SCALE 1 : 1

- Notes:
- Label with P/N, watts, volts, date code & CE mark.
 - Dimensions are for reference only.
 - Upper dimensions are in mm; & lower dimensions are in inches.

P/N	Description	
TPS052GT10-013	TPS 500W 240V 100-120F EURO CORD	1
TPS102GT10-013	TPS 1000W 240V 100-120F EURO CORD	1
TPS152GT10-013	TPS 1500W 240V 100-120F EURO CORD	1
TPS202GT10-013	TPS 2000W 240V 100-120F EURO CORD	1

		KIM HOTSTART MFG. SPOKANE, WA. PROPRIETARY INFORMATION <small>This drawing and the information shown on it are property of Kim Hotstart Mfg. Co. Inc. and are for the sole purpose of doing business with us. Any copying or transmittal to others of this information is strictly prohibited without prior written consent of Kim Hotstart.</small>	
TPS W/T-STAT 100-120F 2M EURO PLUG			
APPROVALS	DATE	UNLESS OTHERWISE SPECIFIED DIMENSIONS ARE IN INCHES [mm]	DWG. NO.
DRAWN BY ER	06-08-06	TOLERANCES (except as noted)	A-6620-0S
APPROVED BY JG	06-08-06	XX ± N/A ANGULAR ± N/A°	SIZE ORIGIN
THIRD ANGLE PROJECTION		DO NOT SCALE DRAWING	B CO5539
			SCALE 1:3 SHEET 1 OF 1 REV. 01