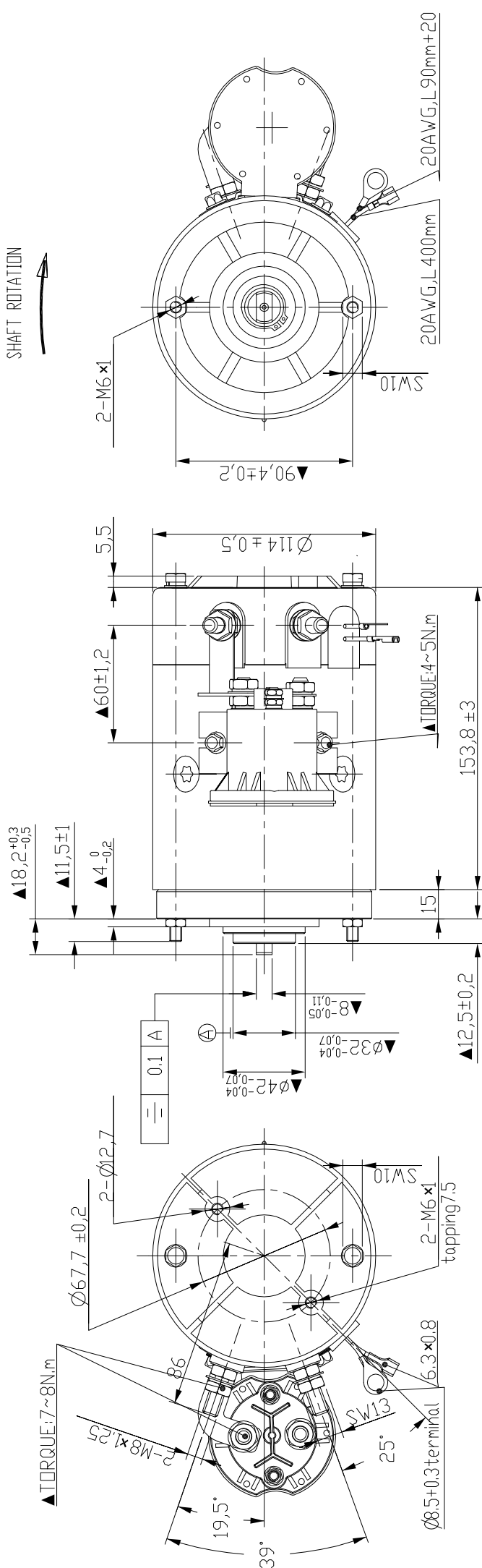


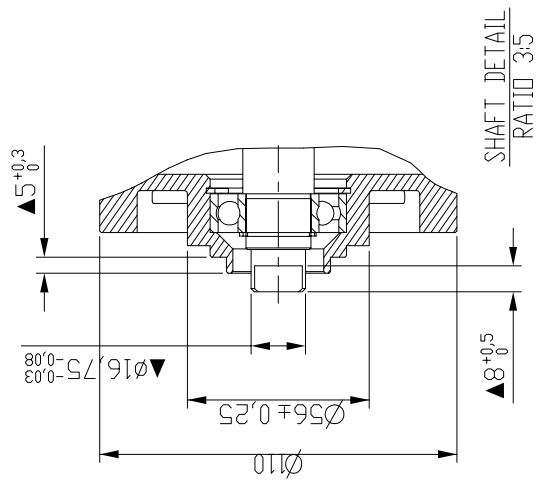
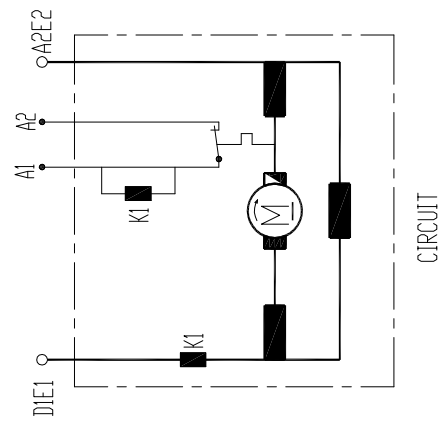
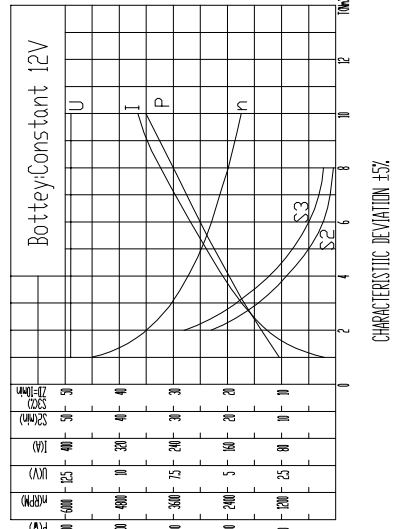
SHAFT ROTATION 



NOTES:  
 1.END OF SHAFT HARDENED TO HRC 46-52  
 2.MOTOR FRAME AND ALUMINIUM END HEAD

TECHNICAL DATA	
VOLTAGE	12 V
POWER	1.6 KW
SPEED AT 6NM	2650 RPM
ROTATION	CW
WORKING MODE	S2 = 2MIN S3 = 5%ED
PROTECTION GRADE	IP 54
INSULATION CLASS	F
MASS	7.4 KG
EXTERIOR	ZINC PLATED

CHARACTERISTIC



Hydroroven  
 Hydraulic Energy  
 A MEMBER OF  
 UNIP  
 VIA MANTOVATI, 2 - 36056 TEZZE SUL BRENTA (VI) ITALY  
 TEL. +39 0424 53381 FAX +39 0424 69842  
 INFO@HYDROROVEN.COM WWW.HYDROROVEN.COM

TYPE: 12V 1.6KW  
 CODE: 56250A160L0G

E' vietato la riproduzione, anche solo parziale, del disegno se non espressamente autorizzato dalla Ditto Hydroroven S.r.l.  
 Reproduction, either in whole or in part, of the item drawing is forbidden if not authorized by Hydroroven S.r.l.