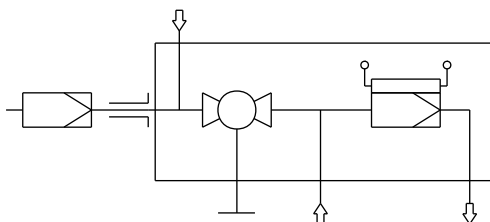


Sample gas probe GAS 222.21

Flow Diagram



Description:

- Heated sample gas probe with shut off valve in-situ and/or downstream filter and weather protection shield
- Downstream filter element can be replaced without tools
- Effective insulation and protection shield
- Electronic heater up to 200°C with low/high temperature alarm and display
- Dust concentration up to 2g/m³
- Not for hazardous areas
- An application with various options you will find in data sheet "Sample Gas probes GAS 222" DD461000 page 4.



Technical Data:

- Material: 1.4571, ball valve 1.4408
- Seals: PTFE/graphite/1.4404 and see filter element
- Operating temperature: max. 200°C
- Max. working pressure: 6 bar
- Voltage 230 V, 2,0 A, 50/60Hz
or 115 V, 3,8 A, 50/60Hz,
- Temperature range: +50 to +200°C
- Alarm: adjustable $\pm 5 \dots 30K$ from set point factory set 15K current max. 1A
- Protection class: IP54
- Ambient temperature: -20 up to +70°C (may be limited by options)

Order information: Base units:

- GAS 222.21 230V p/n 4622221
- GAS 222.21 115V p/n 4622225

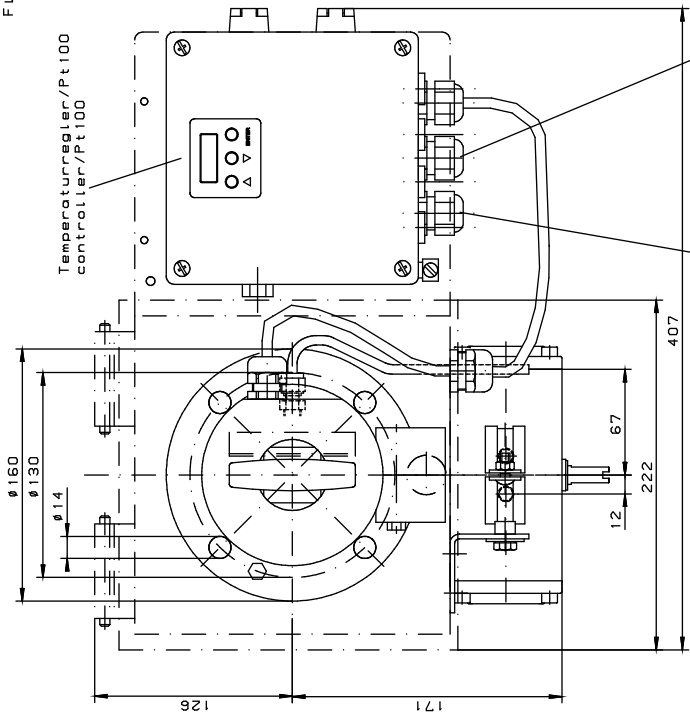
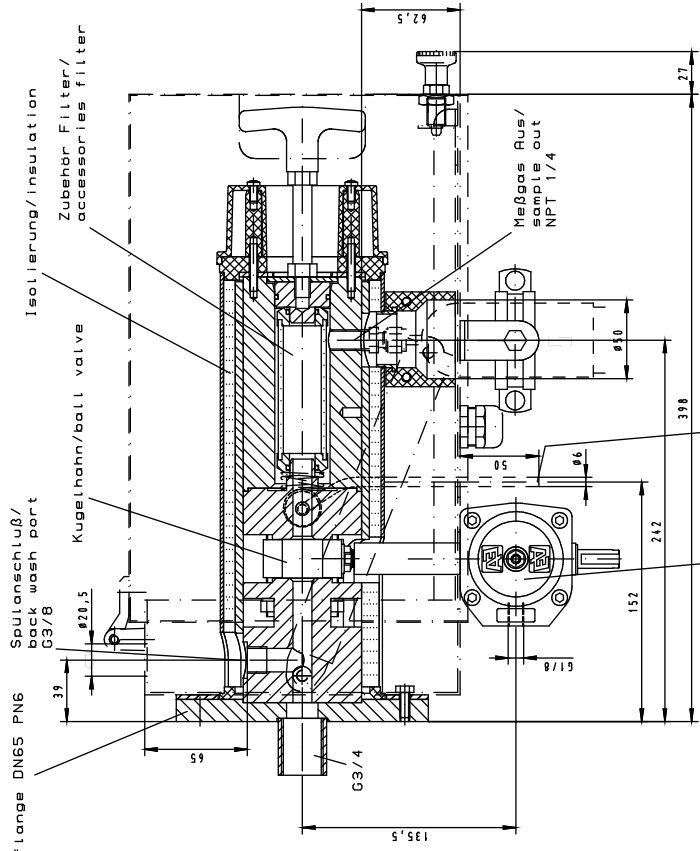
In combination with heated extensions (see accessories) to add a "G" to p/n. for example: 4622221G.

Options:

To customize the base unit to meet the needs of any application, please refer to data sheet DE461099 "Accessories for Gas Sample Probes".

- various probe tubes
- heated/unheated extensions
- filters
- calibration gas port
- ANSI flange 3"
- pneumatic actuator
- blowback
- blowback control unit

For general information see data sheet "Gas Sample Probes GAS 222" DE461000.



Art.Nr./part-no.

Werkstoffe/materials
-Flansch, Kopf / flange, head
-Kugelhahn / ball valve
Betriebs temperatur Sonde/
operating temperature probe
Heizung / heater
-Temperaturbereich / temperature range
-Alarm einstellbar / alarm adjustable

werkseitig eingestellt / factory set
max. Schaltstrom / max. current
-Schutzart / degree of protection
-Umgebungstemperatur / ambient temperature
Steuerdruck Pneumatikzylinder/
pilot pressure pneumatic actuator

4622221 | **4622225**

1..4571 / SS316Ti
1..4404 / SS316L / 1..4408 / CF-8M / PTFE
max. 200°C / 392°F

230V 50/60Hz 440W 115 50/60Hz 425W
50 .. 200°C / 122 .. 392°F
±5 .. 30°C / ±9 .. 54°F
vom Sollwert / from set-point
±15°C / ±27°F

1A
IP54
-20 .. +70°C / -4 .. +158°F
6 bar

ALLE KONTROLLEN gratfrei bei Lieferzustand		ALLE RECHTE Vorbehalten		Maße ohne Toleranzen nach ISO 2768-mK		Maßstab 1:2	(Gewicht)
h	✓	h	18	h	18		
d	✓	d	15	d	15		
f	✓	f	10	f	10		
g	✓	g	10	g	10		
c	✓	c	2x	c	2x		
b	✓	b	1	b	1		
k	✓	k	1	k	1		
l	✓	l	1	l	1		
o	✓	o	1	o	1		
p	✓	p	1	p	1		
q	✓	q	1	q	1		
r	✓	r	1	r	1		
s	✓	s	1	s	1		
t	✓	t	1	t	1		
u	✓	u	1	u	1		
v	✓	v	1	v	1		
w	✓	w	1	w	1		
x	✓	x	1	x	1		
y	✓	y	1	y	1		
z	✓	z	1	z	1		
		Benennung:	Gasentnahmesonde sample gas probe CAS 222.21				
		Zeilens.-Nr.:	46/063-01-2H				
		Ar.-Nr.:					
		ARBETSMARKE:					