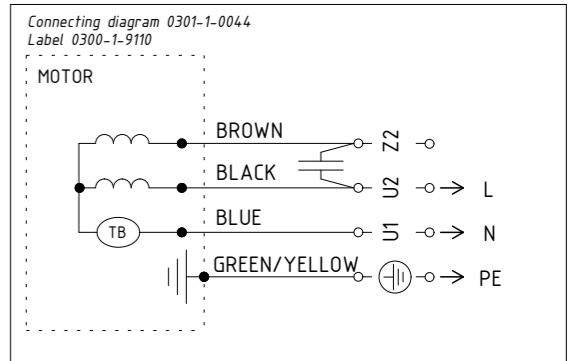
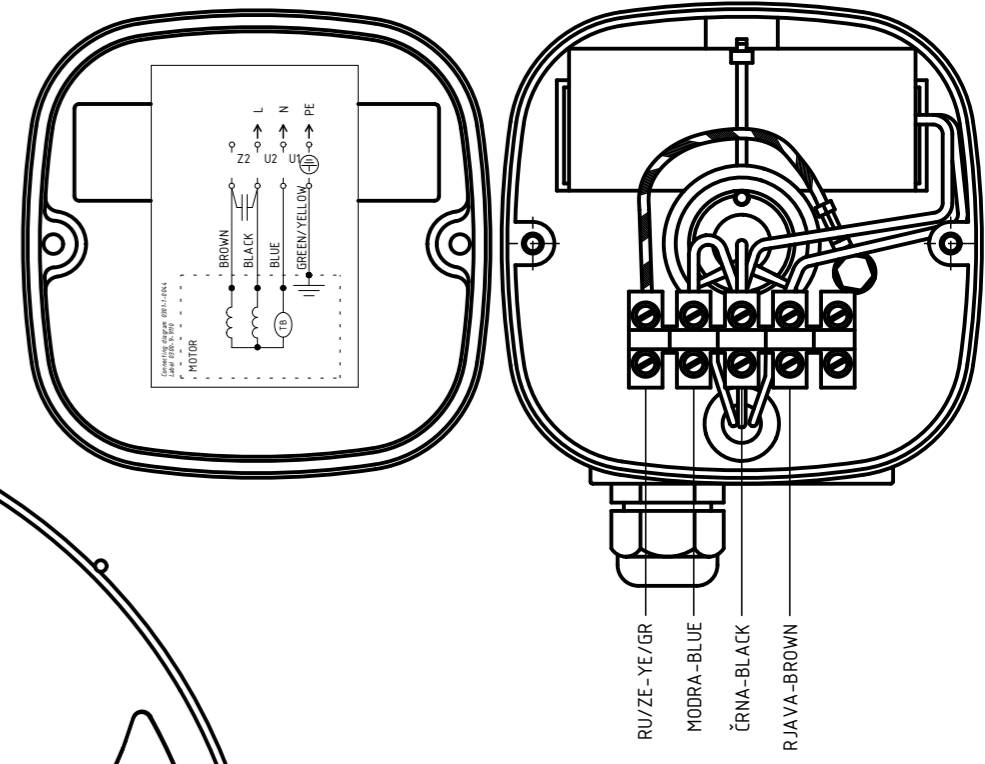
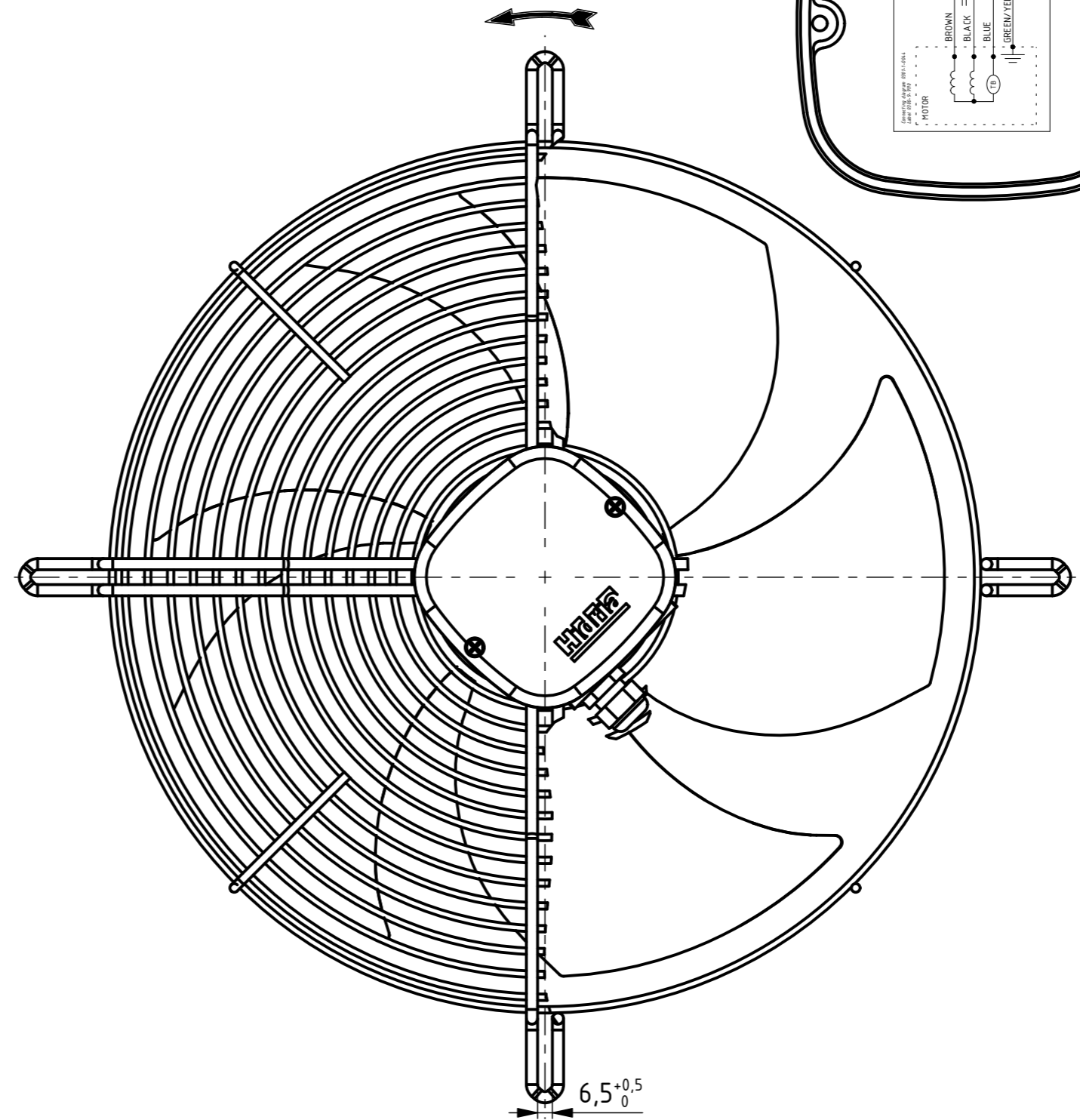
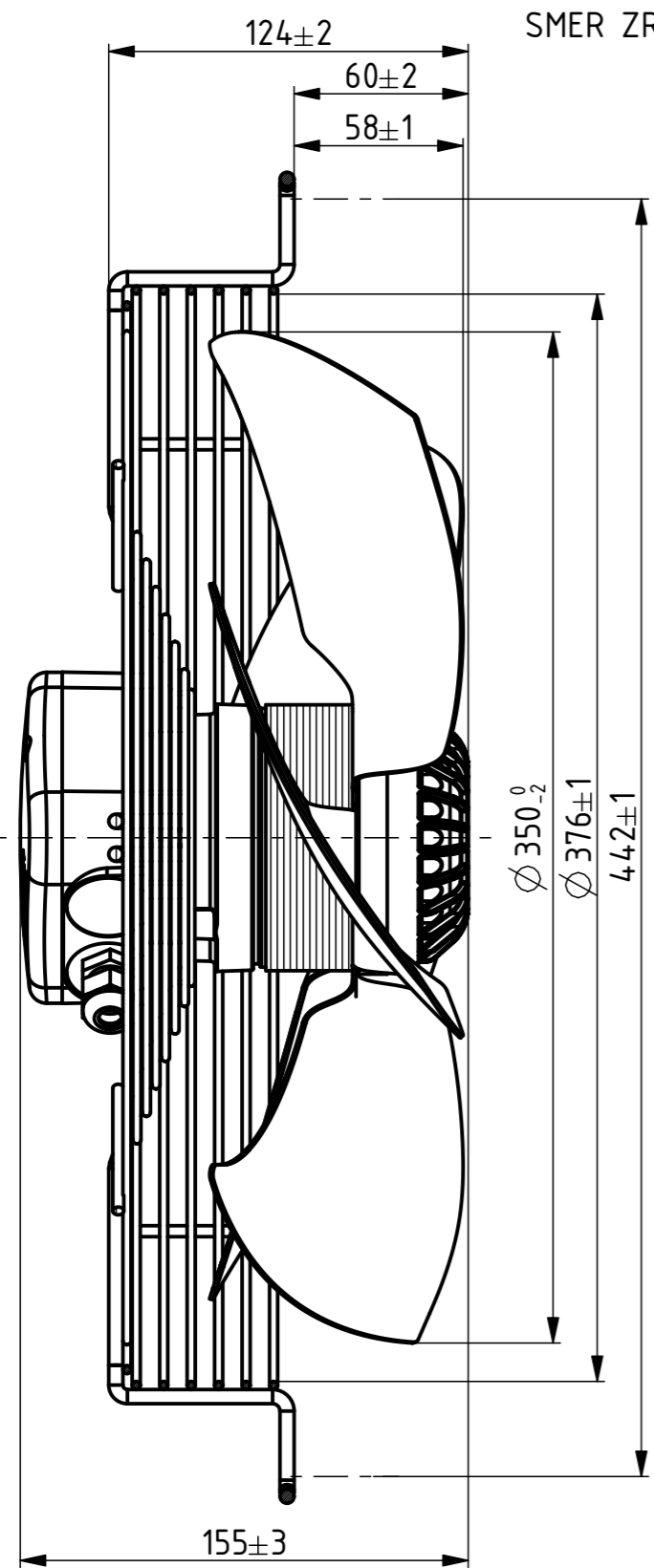


All drawings, regardless of form, are owned by Hidria Rotomatika d.o.o. and are strictly confidential and present copyright. Intellectual Property Rights as follows rights under the laws of patent, petty patents, design patents and registered designs, copyrights, trade secret rights, and similar exclusive rights in industrial property connected with the drawings are reserved by Hidria Rotomatika d.o.o.. Disclosure to any third party is strictly forbidden.

BLOWING
AIRFLOW DIRECTION
SMER ZRAKA



Opomba:
- navodilo za kontrolo ventilatorja 0301-1-4815
- checking instructions 0301-1-4815

Hidria	MADE IN SLOVENIA	CE	DATE
R09R-3530HP-4M-4237		0309-4-1032	
1~230V 50Hz 130W 0,60A 1290RPM MAX.AMB.60° C			
1~230V 60Hz 165W 0,72A 1380RPM MAX.AMB.60° C			
IP54 INS.CL.155 C=4µF/450V			
TH.PROT. ROT.			
ErP: Effes=29,0% (A,static) N=40,7			

AC	C	Zamenja se stator sestav 0309-2-1652 z statorjem sestavom 0309-2-1383 - ErP2015 ustrezen, 11.09.14	Jure L.
Verzija Artikla:	Verzija risbe:	Opis spremembe:	Datum:
Article revision:	DRW Revision:	Description of change:	Date:
	DATUM/DATE	IME / NAME	POVRŠINSKA OBD. SURFACE TEXTURE
KONSTRUIRAL / DRN:	11.09.2014	Uroš Kunc	
ODOBRIL / APP:	12.09.2014	Laharnar, Jure	MATERIAL
Potrjeno/Approved		KODA MATERIALA MATERIAL CODE	MASA: MASS:
Hidria		NETOL. MERE/UNTOL DIM ISO 2768-m	DZJ
		MERIL/FORMAT 2:5/A3	

NAZIV: TITLE:		VENTILATOR	
		R09R-3530HP-4M-4237	
KODA: CODE:	0309-4-1032	VERZIJA ARTIKLA: REVISION ARTICLE:	AC
	0309-4-1032	VERZIJA RISBE: DRW REVISION:	C.2
		LIST/SHEET:	1/1