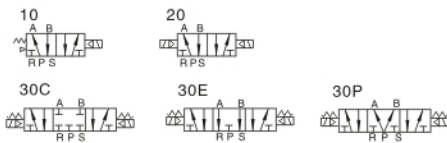


# Solenoid valve ( 5/2 、 5/3 way )

## 4V200 Series



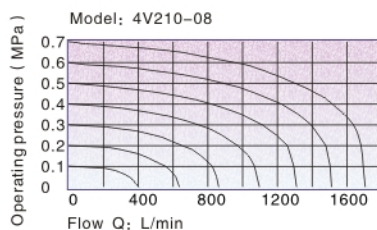
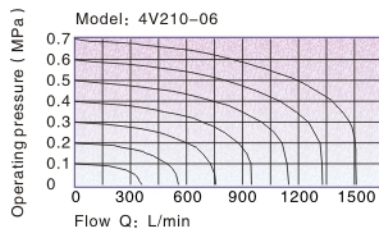
### Symbol



### Product feature

- 1、Pilot-oriented mode: optional for internal or external;
- 2、Structure in sliding column mode: good tightness and sensitive reaction;
- 3、Three position solenoid valves have three kinds of central function for your choice;
- 4、Double control solenoid valves have memory function;
- 5、Internal hole adopts special processing technology which has little attrition friction, low start pressure and long service life;
- 6、No need to add oil for lubrication;
- 7、It is available to form integrated valve group with the base to save installation space;
- 8、Affiliated manual devices are equipped to facilitate installation and debugging;
- 9、Several standard voltage grades are optional;

### Flow chart



### Specification

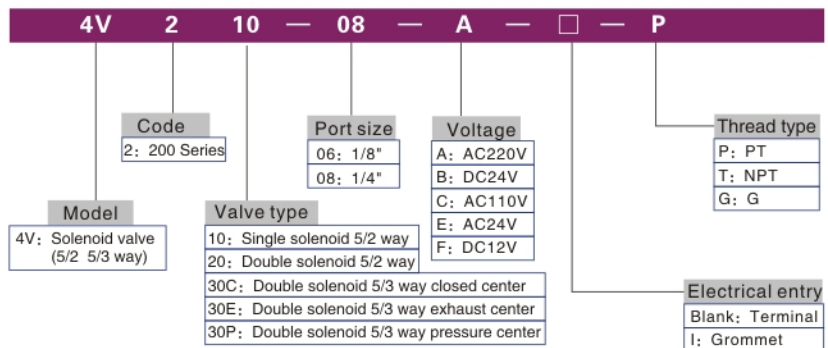
Model	4V210-06 4V220-06	4V230C-06 4V230E-06 4V230P-06	4V210-08 4V220-08	4V230C-08 4V230E-08 4V230P-08
Fluid	Air (to be filtered by 40um filter element)			
Acting	Piloted			
Port size ①	In=Out=Exhaust=1/8"		In=Out = 1/4" Exhaust=1/8"	
Orifice size	14.0mm <sup>2</sup> (Cv=0.78)	12.0mm <sup>2</sup> (Cv=0.67)	16.0mm <sup>2</sup> (Cv=0.89)	12.0mm <sup>2</sup> (Cv=0.67)
Valve type	5 port 2 position	5 port 3 position	5 port 2 position	5 port 3 position
Operating pressure	0.15~0.8MPa(21~114Psi)			
Proof pressure	1.5MPa(215Psi)			
Temperature °C	-20~70			
Material of body	Aluminum alloy			
Lubrication ②	Not required			
Max. frequency ③	5 cycle/sec	3 cycle/sec	5 cycle/sec	3 cycle/sec
Weight	4V210-06:220g 4V220-06:320g	360g	4V210-08:220g 4V220-08:320g	360g

- ① PT thread、NPT thread and G thread are available;
- ② It can not stop in the midway of lubricating. Lubricants like ISO VG32 or equivalent are recommended.
- ③ The maximum actuation frequency is in the no-load state.

### Coil specification

Item	Specification
Standard voltage	AC220V、AC110V、AC24V、DC24V、DC12V
Scope of voltage	AC: ±15% DC: ±10%
Power consumption	AC: 3.5VA DC : 3.0W
Protection	IP65 ( DIN40050 )
Temperature classification	B Class
Electrical entry	Terminal、Grommet
Activating time	0.05 sec and below

### Ordering code



Please refer to PI-34 for manifold specification and the order way.

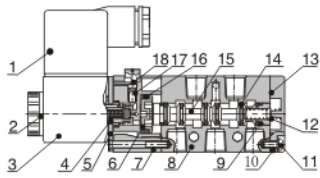


# Solenoid valve ( 5/2 、 5/3 way )

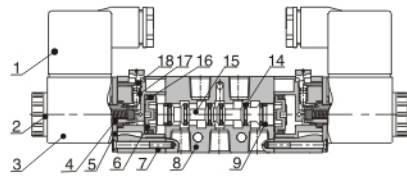
4V200 Series

## Inner structure

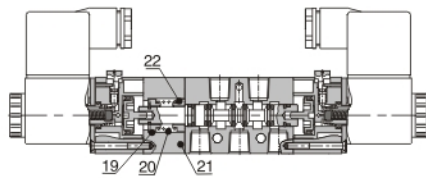
4V210



4V220



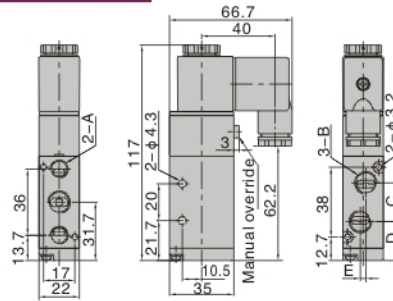
4V230C



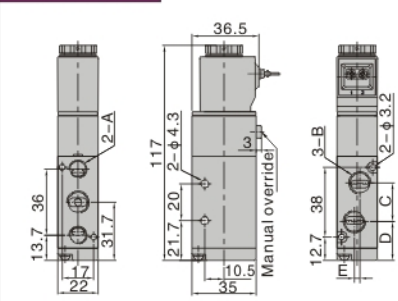
NO.	Item	NO.	Item	NO.	Item
1	Connector	9	Wear ring	17	Override spring
2	Coil nut	10	Bottom cover	18	Manual override
3	Coil	11	Fixed screw	19	Spring holder
4	Armature	12	Spool spring	20	Return spring
5	Fixed plate	13	Bottom cover gasket	21	Side cover
6	Piston	14	Spool O-ring	22	Spring holder
7	Pilot kit	15	Spool		
8	Body	16	Piston O-ring		

## Dimensions

4V210(Terminal)

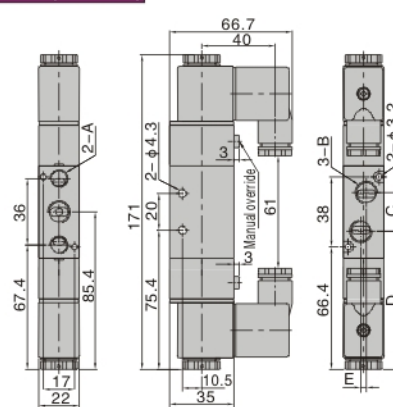


4V210(Grommet)

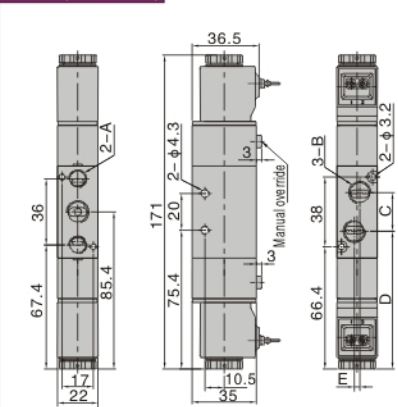


Model/Item	A	B	C	D	E
4V210-06	1/8"	1/8"	18	22.7	0
4V210-08	1/8"	1/4"	21	21.2	3

4V220(Terminal)

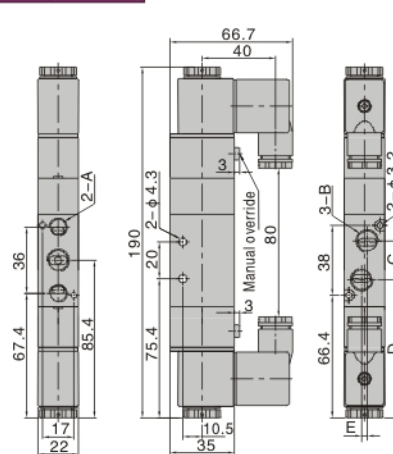


4V220(Grommet)

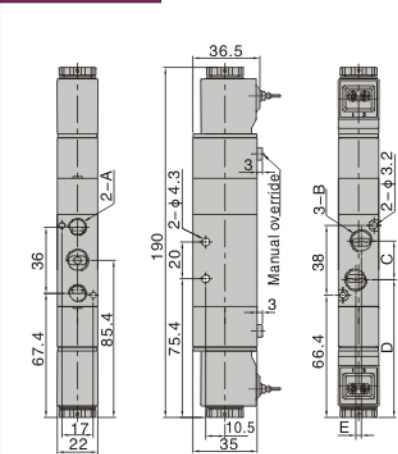


Model/Item	A	B	C	D	E
4V220-06	1/8"	1/8"	18	76.4	0
4V220-08	1/8"	1/4"	21	74.9	3

4V230(Terminal)



4V230(Grommet)



Model/Item	A	B	C	D	E
4V230-06	1/8"	1/8"	18	76.4	0
4V230-08	1/8"	1/4"	21	74.9	3