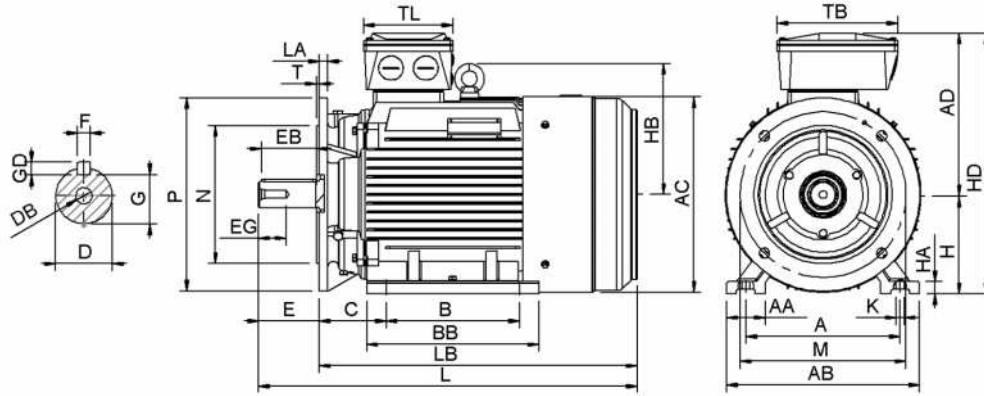


Data Sheet

Itemnumber....: 5522001400



A = 318	AC = 396	BB = 369	DB = M20	EG = 50	GD = 10	HB = 264	L = 769	M = 350	S = 4-Ø18.5	TL = 192
AA = 70	AD = 313	C = 133	E = 110	F = 16	H = 200	HD = 513	LA = 17	N = 300	T = 5	
AB = 388	B = 305	D = 55	EB = 100	G = 49	HA = 25	K = 18,50	LB = 659	P = 400	TB = 260	

Version
 Type.....: HMC3 200L2-2
 Design.....: Induction motor
 Standard series.....: IEC 60034
 Phase / Voltage range.....: 3~ / Low

Electrical design
 Efficiency.....: IE3
 Pole.....: 2
 Power at 50 Hz (kW).....: 37,0
 Hz.....: 50
 Voltage.....: 400VD/690VY
 Winding voltage.....: 400VD/690VY 50 Hz
 Power output (kW).....: 37,0
 Duty.....: S1
 Insulation class.....: F
 Temperature rise.....: B

Mechanical design
 Frame size.....: 200
 Mounting.....: B35
 Rain cap.....: No
 Protection class.....: IP55
 Cooling method.....: IC411/TEFC
 External grounding.....: Yes
 Drain hole.....: Yes
 Frame material.....: Cast Iron
 Material approval.....: None
 Shaft.....: IEC standard
 Key.....: Closed key
 Balancing.....: Half key balancing
 Vibration class.....: Grade-A
 Weight (kg).....: 267

Bearing
 DE Bearing.....: 6312/C3
 NDE Bearing.....: 6312/C3
 Fixed bearing.....: DE

Terminal box
 Tbox position.....: Top
 Cable entry direction.....: Right (from DE)
 Cable entry
 Main.....: 2 x M50x1,5
 Metal blindcaps
 Accessory.....: 2 x M20x1,5
 Metal blindcaps
 Connection type.....: Delta (D)
 Terminal board thread.....: 6-M8

Environment condition
 Ambient temp. min. (°C)..: -20
 Ambient temp. max. (°C)..: 40
 Altitude (mtr up to).....: 1000

Test values
 Rotor inertia (kgm²).....: 0,22
 Noise level (dB(A)).....: 82
 No load current (A).....: 16,2
 Winding resist. (ohm).....: 0,15
 Starting time (sec.).....: 0,18
 Temp. rise winding (K).....: 55
 Temp. rise surface (K).....: 39

Motor protection
 Thermal protection main....: PTC 3x 155 dgr
 Thermal protection second..: None
 Space heater.....: None
 Temperature detector.....: No
 SPM.....: No
 IR wire.....: No
 Tropical insulation.....: No

Explosion protection
 According to.....: None
 Type of protection.....: None

General
 Direction of rotation.....: CW
 Painting.....: RAL 9005 Gloss 10
 Nameplate.....: Multivoltage
 Special packing.....: No
 Special requirements.....: No

Rated power (kW)	37,0	36,0	44,5	43,0
Frequency (Hz)	50	50	60	60
Voltage (V)	400 690	380 660	480 830	440
Connection	D Y	D Y	D Y	D
Full load current (A)	63,0 36,5	65,0 37,5	63,0 36,5	65,0
Speed (rpm)	2970	2970	3560	3560
Power factor cos(phi)	0,91	0,92	0,91	0,92
Efficiency, 100/75/50 (%)	93,7/93,7/92,8	93,7/93,7/92,8	93,7/93,7/92,8	93,3/93,3/92,3
Ist/In	9,1	8,0	9,1	8,3
Full load torque (Nm)	118	116	118	116
Tst/Tn	3,7	3,4	3,7	3,2
Tmax /Tn	3,7	3,4	3,7	3,2
Duty	S1	S1	S1	S1
Ambient temp. (°C)	40	45	40	45