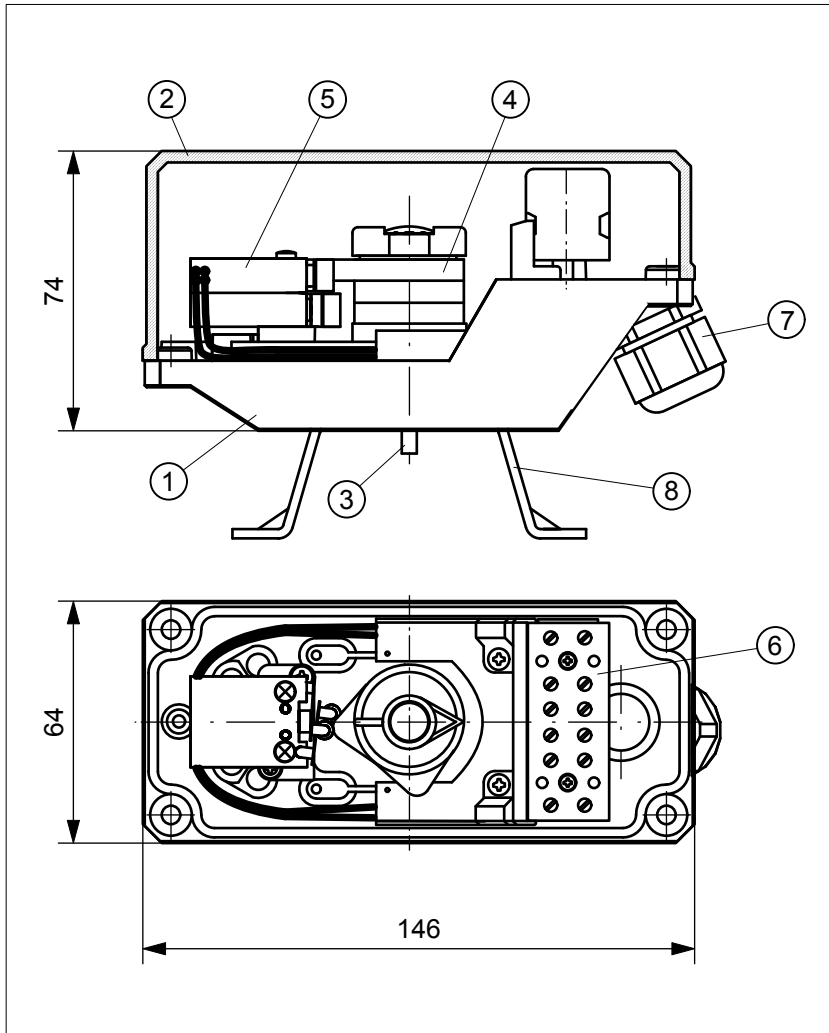




TCR1VVAZK

TCR-Module for hazardous areas with two micro switches Crouzet 83.139.1 in Vestamid-Housing 146 x 64 x 74 mm, protection class EEx ed IIC T6, with short axis



TECHNICAL DATA

Manufacturer: Crouzet
 Type: 83.139.1
 Micro switch
 Switching capacity: 5 A, 250 V AC
 Contacts: Silver-Nickel
 Economic life-time: 5×10^6 switching cycles
 Temperature: -20 ... +85°C
 Housing: Vestamid, black
 Deckel: Vestamid, black
 Sealing: EPDM
 Ingress protection: IP65
 Switching precision: <math> < 1.5^\circ </math>
 System connection: Cable gland M20x1,5



II 2 G EEx ed IIC T6
PTB 02 ATEX 1150

OBJECT LIST

Pos.	Pcs.	Bezeichnung	Material
1	1	Housing base	Vestamid
2	1	Housing cover	Vestamid
3	1	TCR-Axis, short	POM
4	1	Switch cam system	POM
5	2	Micro switch EEx d IIC T6	-
6	1	Terminal block EEx e II	-
7	1	Cable gland EEx e II	-
8	1	Bracket size 1-4	A2

WIRING DIAGRAM

