

## Pressure switch type DG, electronic pressure transducer type DT

Pressure switches are hydraulic accessories. They close or open electrical contacts when under pressure.

They are used to issue an electrical switching command or signal for further work steps when a predefined pressure value is reached.

Two independent switching points can be programmed. Pushbuttons or IO-Link can be used to carry out the setting.

### Features and benefits:

- Two switch outputs as normally closed contact or normally open contact, PNP or NPN programmable
- System pressure is constantly measured and shown on the display
- Optical switching point monitoring by LED
- IO-Link communication
- Compact design
- Option of integration into the HAWE modular system
- Operating pressures up to 1000 bar

### Intended applications:

- General hydraulic systems
- Machine tools



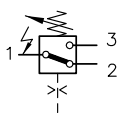
<b>Nomenclature:</b>	Spring-loaded piston-type pressure switch Electronic pressure switch Electronic pressure transducer
<b>Version:</b>	Screw-in version Manifold mounting Designed for pipe connection
<b>p<sub>max</sub>:</b>	1000 bar

### Design and order coding example

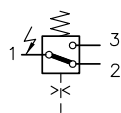
DG 51 E	-A	250	
			<b>Pressure classification</b> Table 2 Pressure stages
			<b>Hydraulic connection</b> Table 1 Hydraulic connection
<b>Basic type</b>	Pressure switch type DG		
	<ul style="list-style-type: none"> <li>▪ Type DG 1, 3 (spring-loaded piston-type pressure switch)</li> <li>▪ Type DG 51, DG 6 (electrical pressure switch with two switch points)</li> <li>▪ Type DT (analogue electronic pressure transducer)</li> </ul>		

### Function

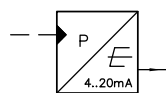
DG 1



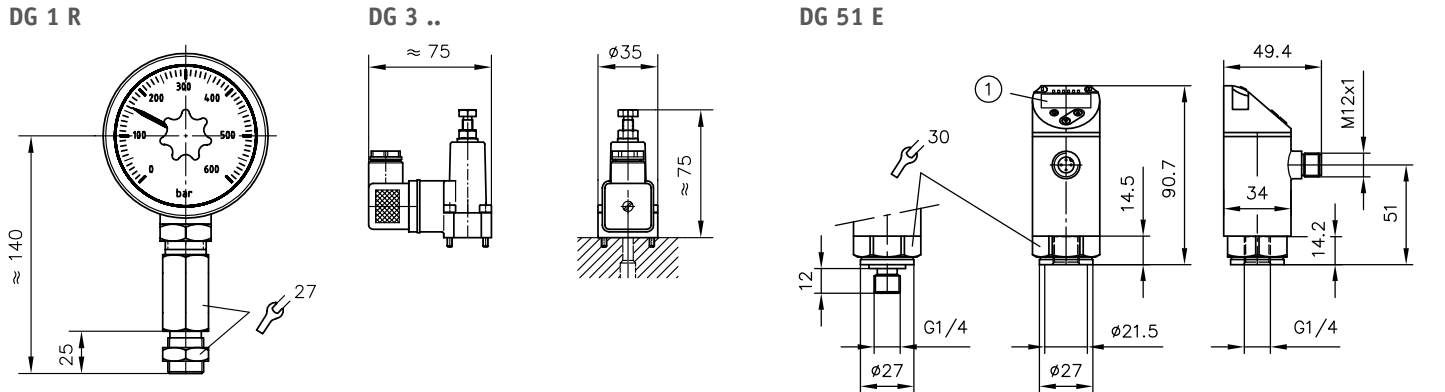
DG 3



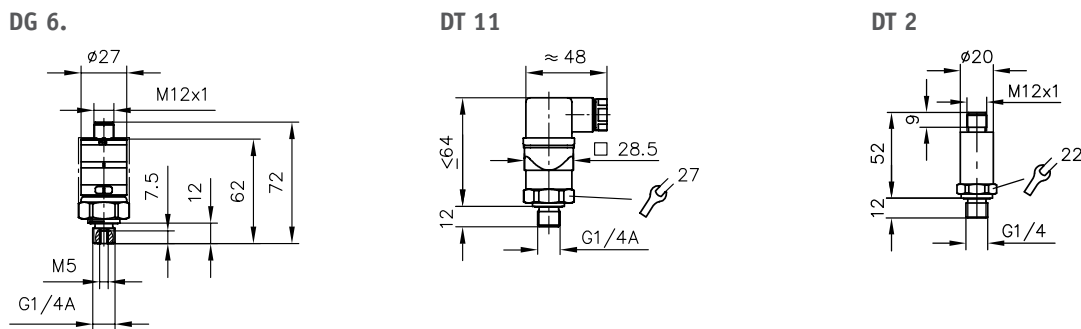
DT



## General parameters and dimensions



1 Four-digit 10-segment display, alphanumeric



	Brief description	Pressure setting $p_{max}$ [bar]	Ports	m [kg]
DG 1 R	Adjustment via knob at pressure selection scale	20 to 600 <sup>1)</sup>	G 1/2 or G 1/4 A	1.3
DG 3	Compact design as manifold mounting, pressure setting via set screw	4 to 700 <sup>1)</sup>	G 1/4 or G 1/4 A <sup>2)</sup>	0.3
DG 51 E	Electronic pressure switch with two switch points	0 ... 600	G 1/4 A	0.25
DG 6		0 ... 400	G 1/4 A or M 5	0.08
DT 11	Analogue electronic pressure transducer	0 ... 1000	G 1/4	0.08
DT 2		0 ... 600	G 1/4	0.7

- 1) The max. operating pressure of 700 bar is not influenced by the max. possible set pressure  
 2) For versions with adapter only

### Associated technical data sheets:

- Pressure switch type DG: [D 5440](#)
- Electronic pressure switch type DG 5: [D 5440 E/1](#)
- Electronic pressure switch type DG 6: [D 5440 F](#)
- Electronic pressure transducer type DT 11: [D 5440 T/2](#)

### Hydraulic accessories:

- Fitting type X, X 84: [D 7065](#), [D 7077](#)

### Similar products:

- Electronic pressure transducer type DT 11: [D 5440 T/2](#)
- Electronic pressure transducer type DT 2: [D 5440 T/1](#)