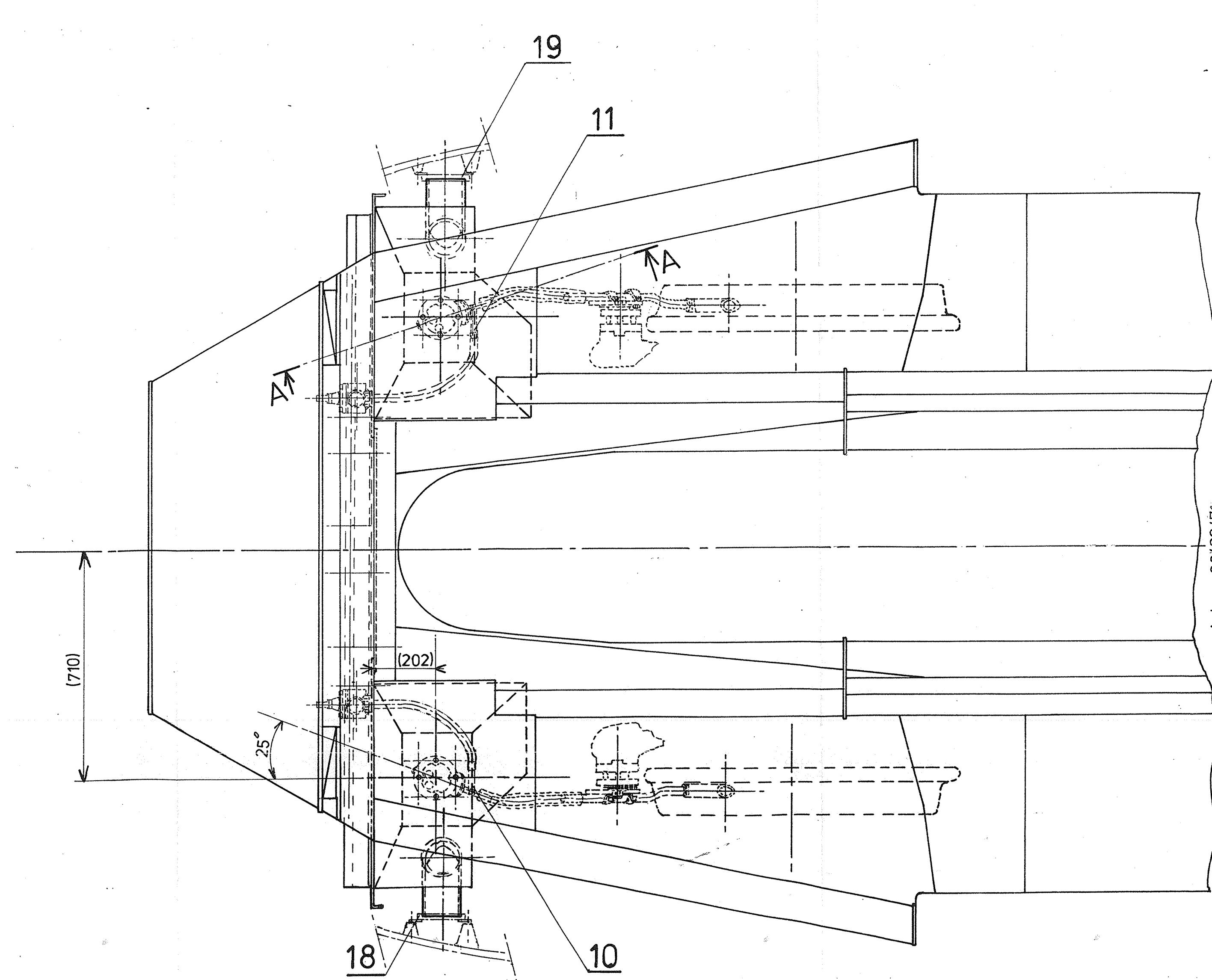
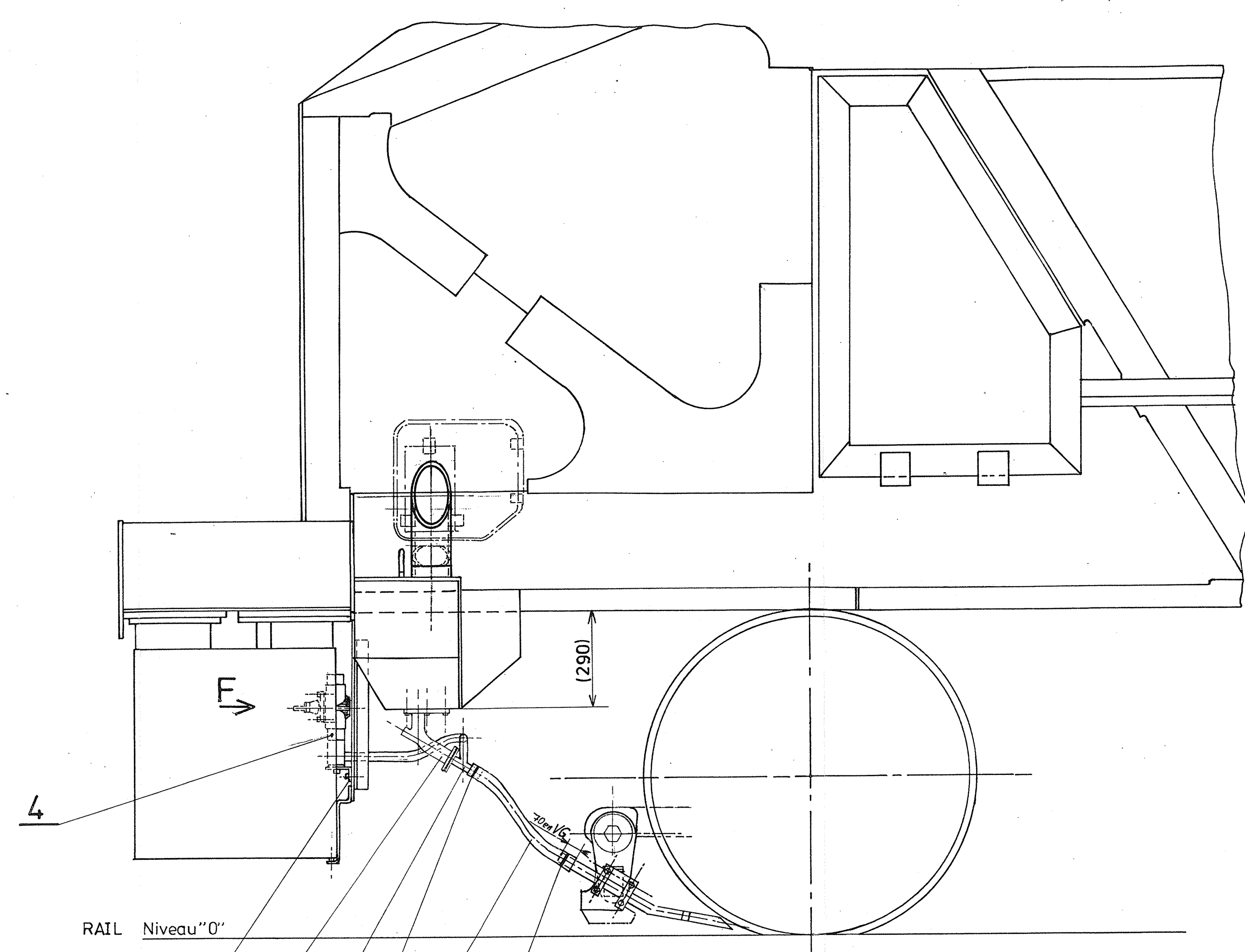
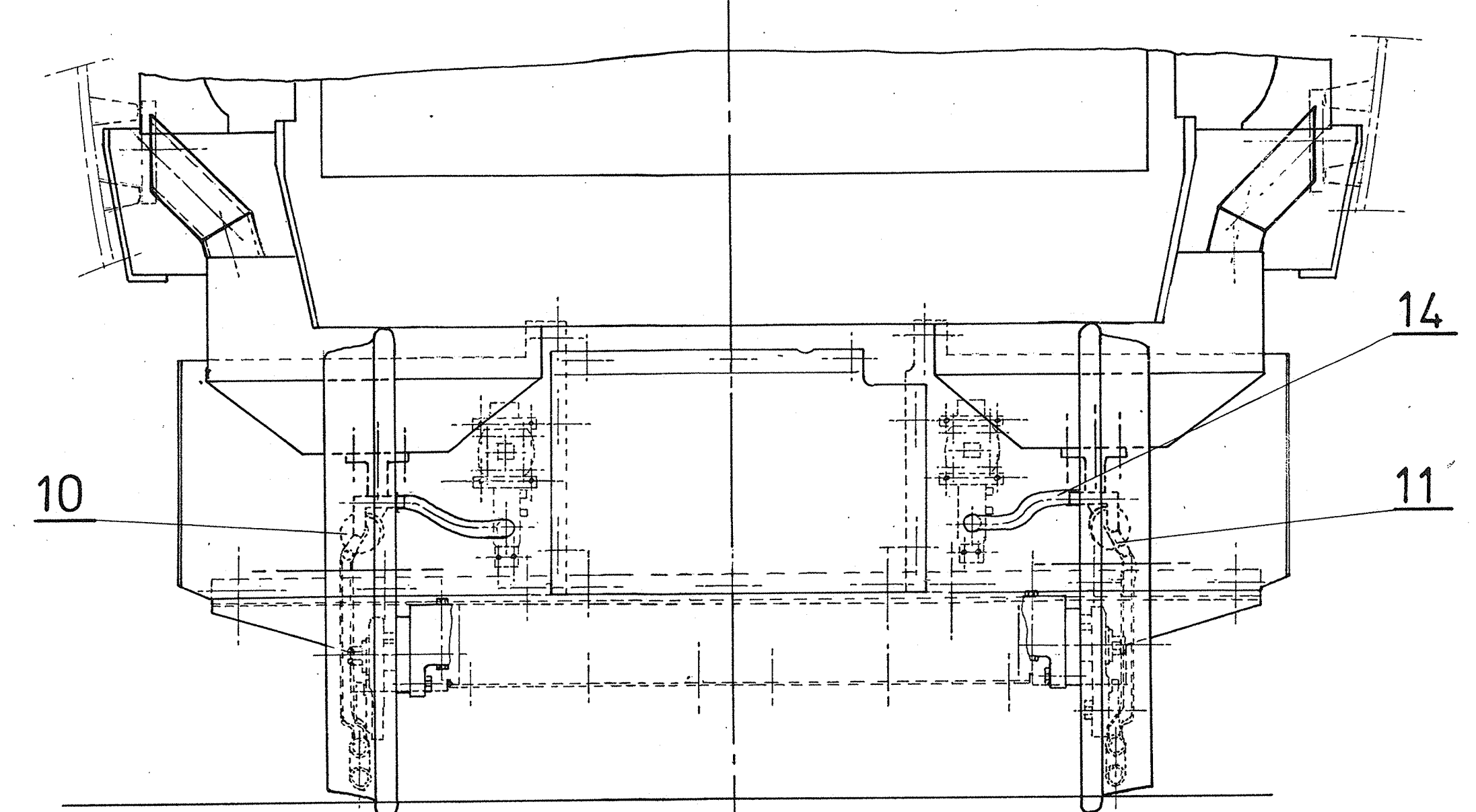


16	15	14	13	12	11	10	9	8	7	6	5	4	3	2	1
----	----	----	----	----	----	----	---	---	---	---	---	---	---	---	---



37	8	NUT ECROU HM 12	Ac Inox A2-70 NF E 25401 ST1	0,016
36	8	WASHER RONDELLE TREP 4 L 2	Ac XCRS NF E 25401 ST1	0,013
35	8	SCREW VIS HM 12x40	Ac Inox A2-70 NF E 25401 ST1	0,047
34	24	WASHER RONDELLE L 8 C	Ac A33 Zn12 O/Fe NF E 25513 ST1	0,005
33	18	WASHER RONDELLE L 8 A	Ac Inox A2-70 NF E 25514 ST1	0,005
32	14	WASHER RONDELLE CS 8.18.14	Ac Inox A2-70 NF E 25 511 ST1	0,004
31	6	WASHER RONDELLE trep 4 L 8	Ac Inox A2-70 NF E 25 511 ST1	0,005
30	18	NUT ECROU HM 8	Ac Inox A2-70 NF E 25401 ST1	0,005
29	6	WASHER RONDELLE trep 4 L 6	Ac Inox A2-70 NF E 25 511 ST1	0,004
28	6	NUT ECROU HM 6	Ac Inox A2-70 NF E 25401 ST1	0,003
27	6	SCREW VIS HM 8-30	Ac Inox A2-70 NF E 25 114 ST1	0,015
26	6	SCREW VIS HM 8-20	Ac Inox A2-70 NF E 25 114 ST1	0,012
25				
24	8	SCREW VIS HM 8-40	Ac Inox A2-70 NF E 25 114 ST1	0,017
23	8	SCREW COLLIER 8 AX 36 BS	HB Ac inox	0,029
22	4	SCREW COLLIER 8 AX 50 BS	HB Ac. inox	0,032

21				
20				
19	1	Cover Couverture Deksed	F16 652	0,728
18	1	Cover Couverture Deksel	F16 651	0,728
17	2	Protective device Gaine de protection 47/55 Lg 55	Elastomère vulcanisé ST 436	0,042
16	4	Joint Joint norton larg 19 ép.32 Long.60	Norseal V510 gris	0,001
15	4	Joint Joint norton larg 19 ép.32 Long.110	Norseal V510 gris	0,002
14	2	Flexible hose Tuyau souple ø int. 25 longueur 500	Catégorie C2 Elastomère ST 280	0,370
13	2	Flexible hose Tuyau souple ø int. 25 longueur 520	Category C2 Elastomère ST 280	0,400
12	2	Circular gasket Joint circulaire Packing	F 13 553	0,010
11	1	End ejector right Embout ejecteur droit ejector rechts	F13 947	0,574
10	1	End ejector left Embout ejecteur gauche ejector links	F 13 946	0,574
9	2	SUPPORT SUPPORT	F 14 048	0,116
8	4	SUPPORT SUPPORT	F 13 551	0,376
7	4	Flange Bride	F 13 550	0,111
6	2	Connection special Raccord special Verbindingsstück	F 14 061	0,463
5				
4	2	Valve Vanne type A55 rét.289/40/PK S 40N	F 14 330	1,035
3	2	Ejector Ejecteur	F 15 756	3,800
2	2	Joint Dichtung	10.304 2248 /101	0,005
1				
Sanding assembly comprising Montage sablage comprenant Montage zandstrooiing omattend				13,526

TRK 9602 802	A	FM 865 PA	E	FM 12 66
	B	FM 893 PA		
	C	FM 964 PA		
	D	FM 1141 PA		

5583BRD000066TFE22A4
mna30Li117bpqwy

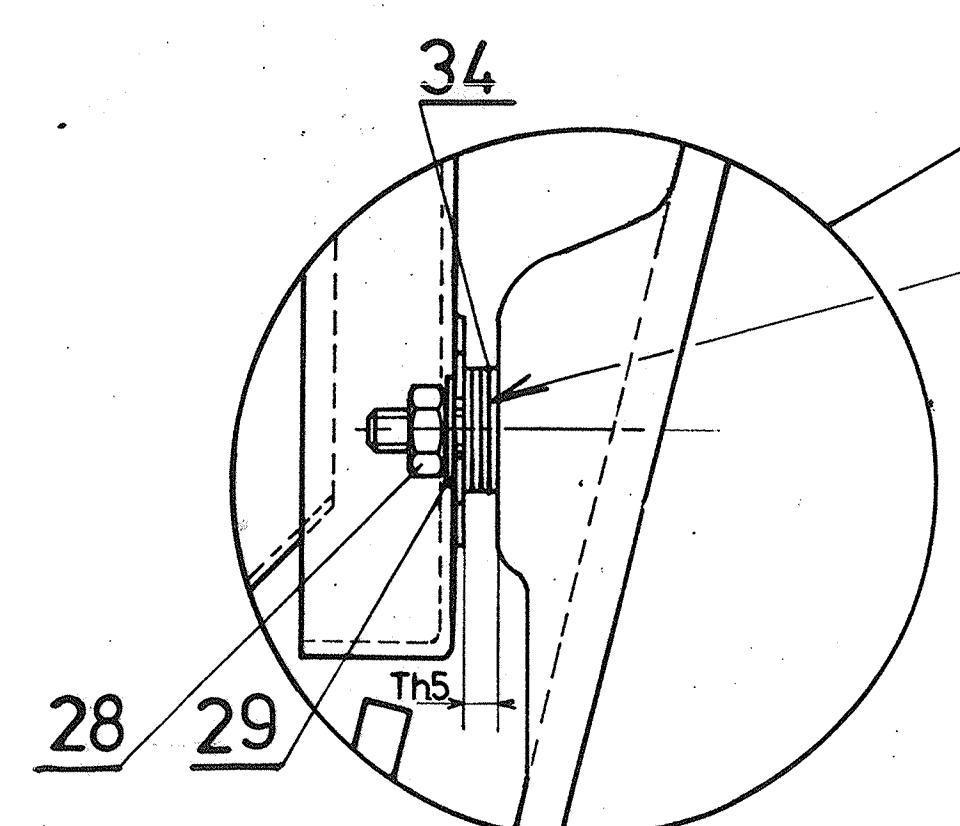
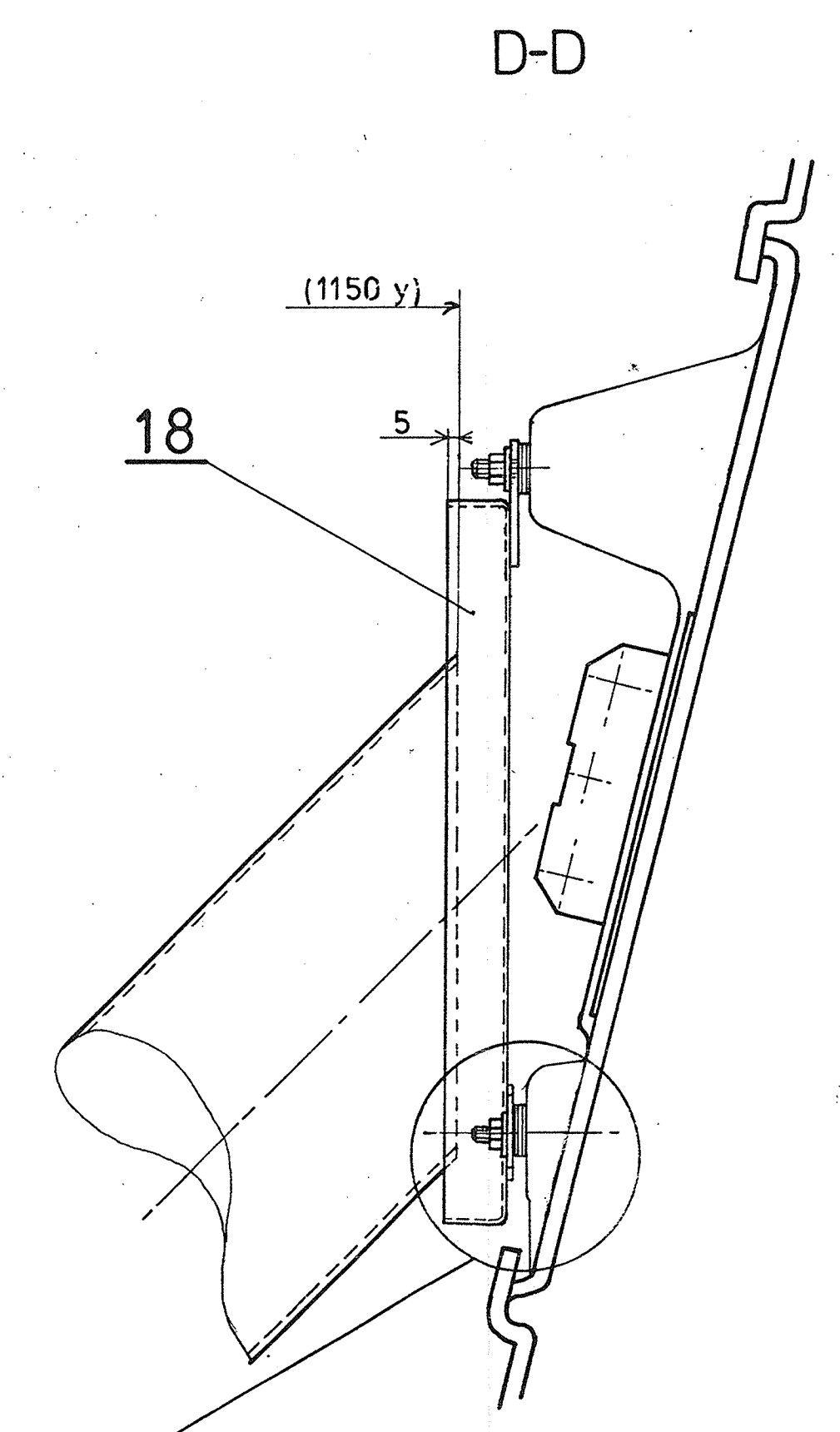
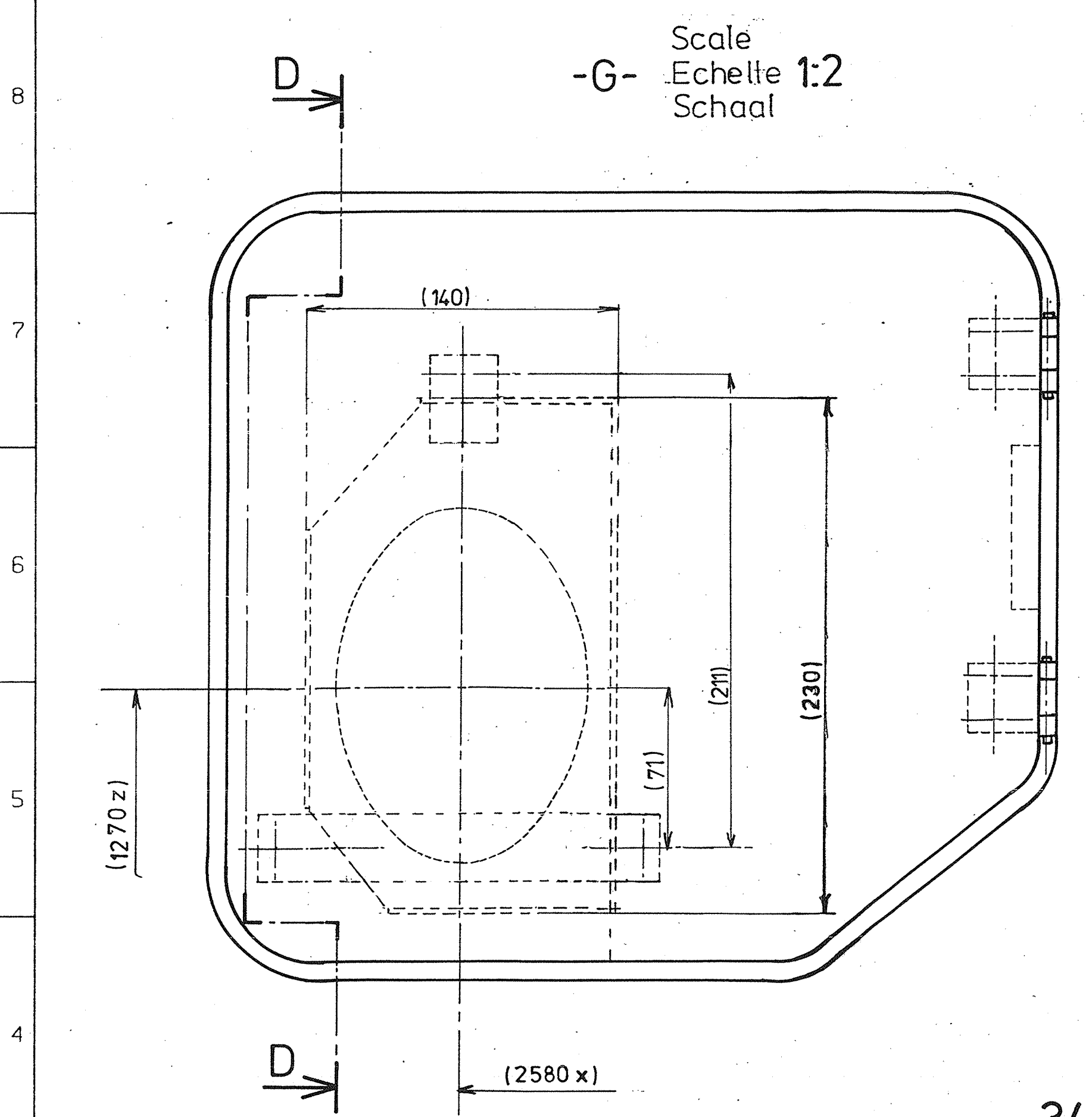
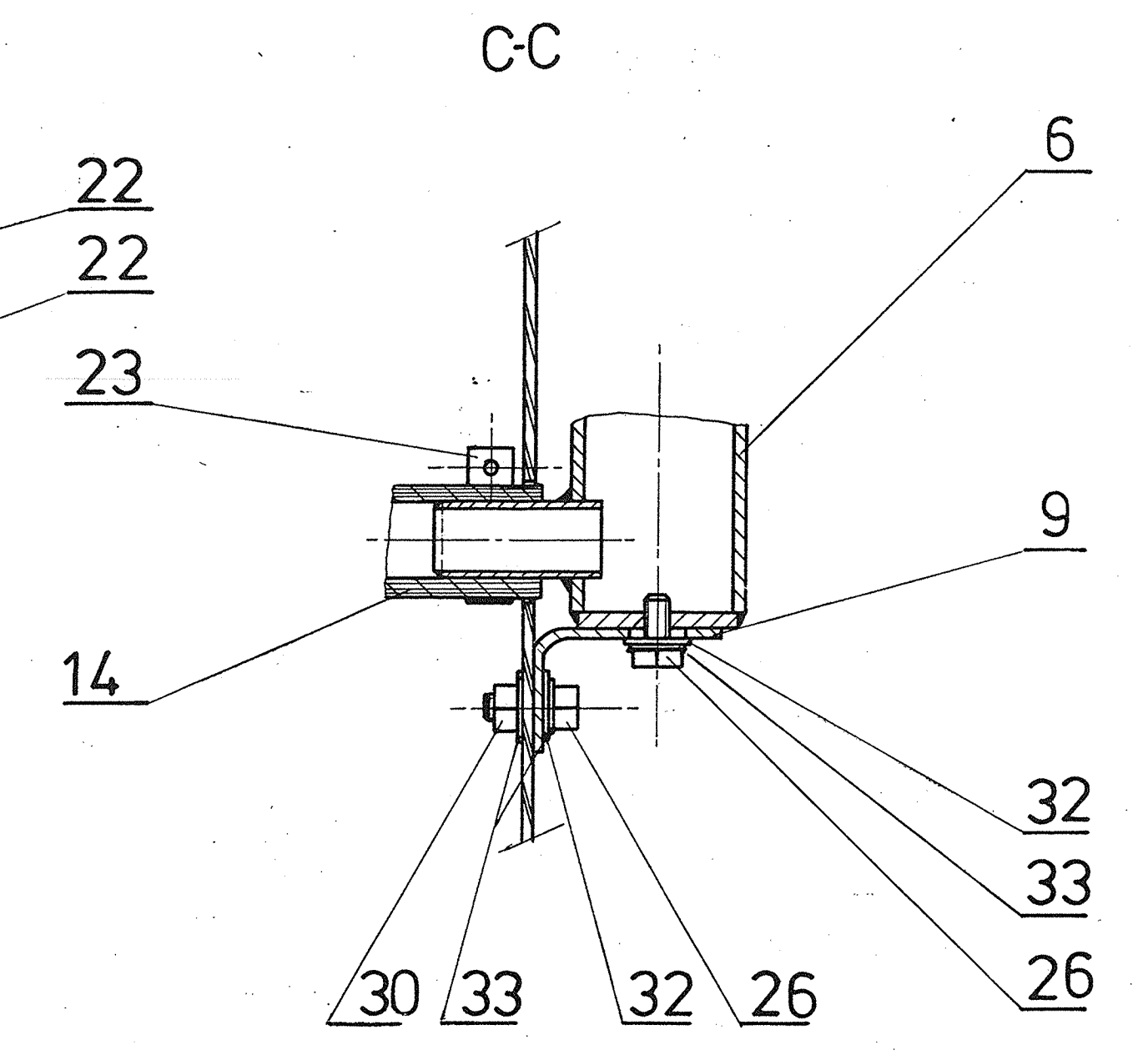
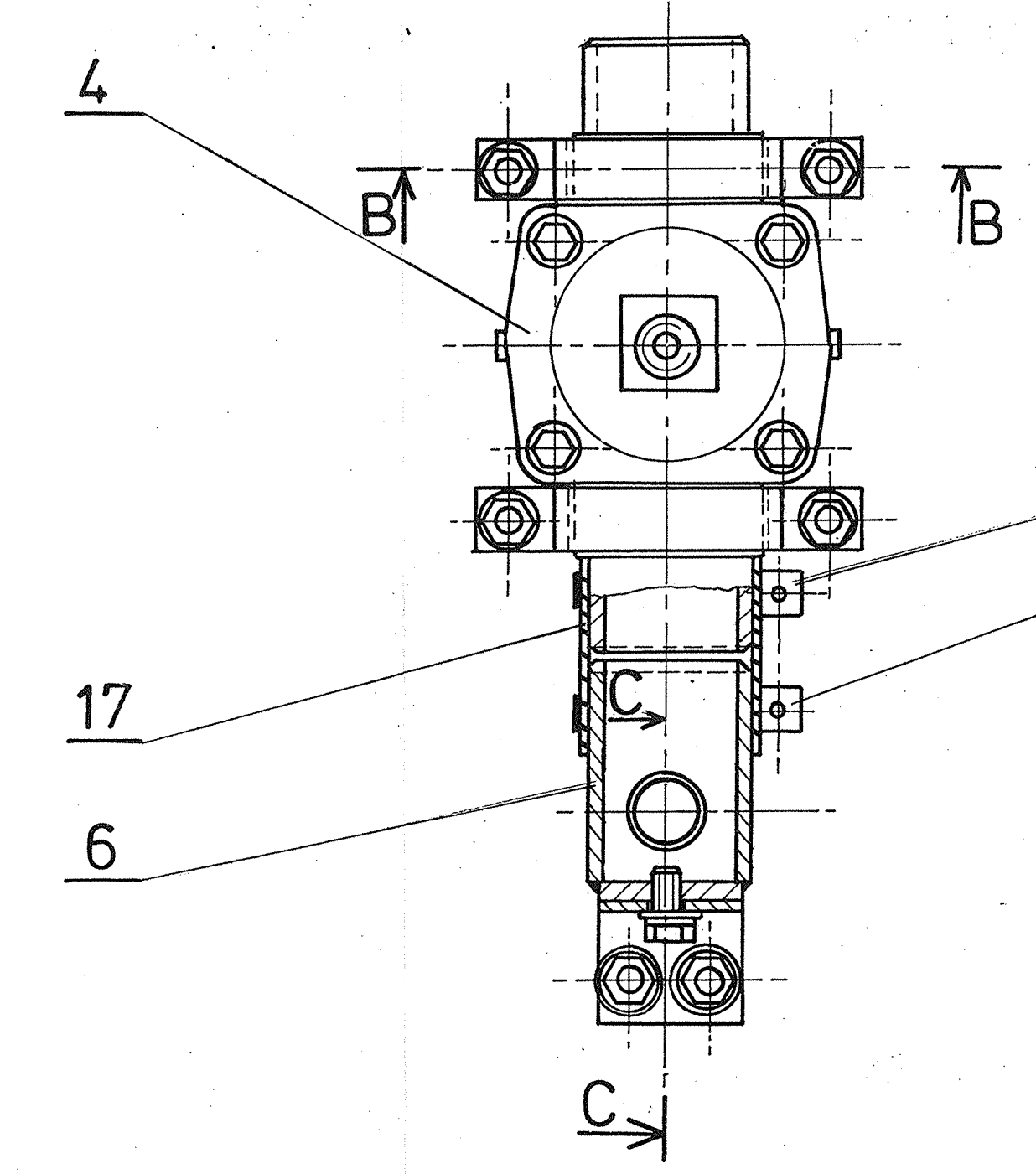
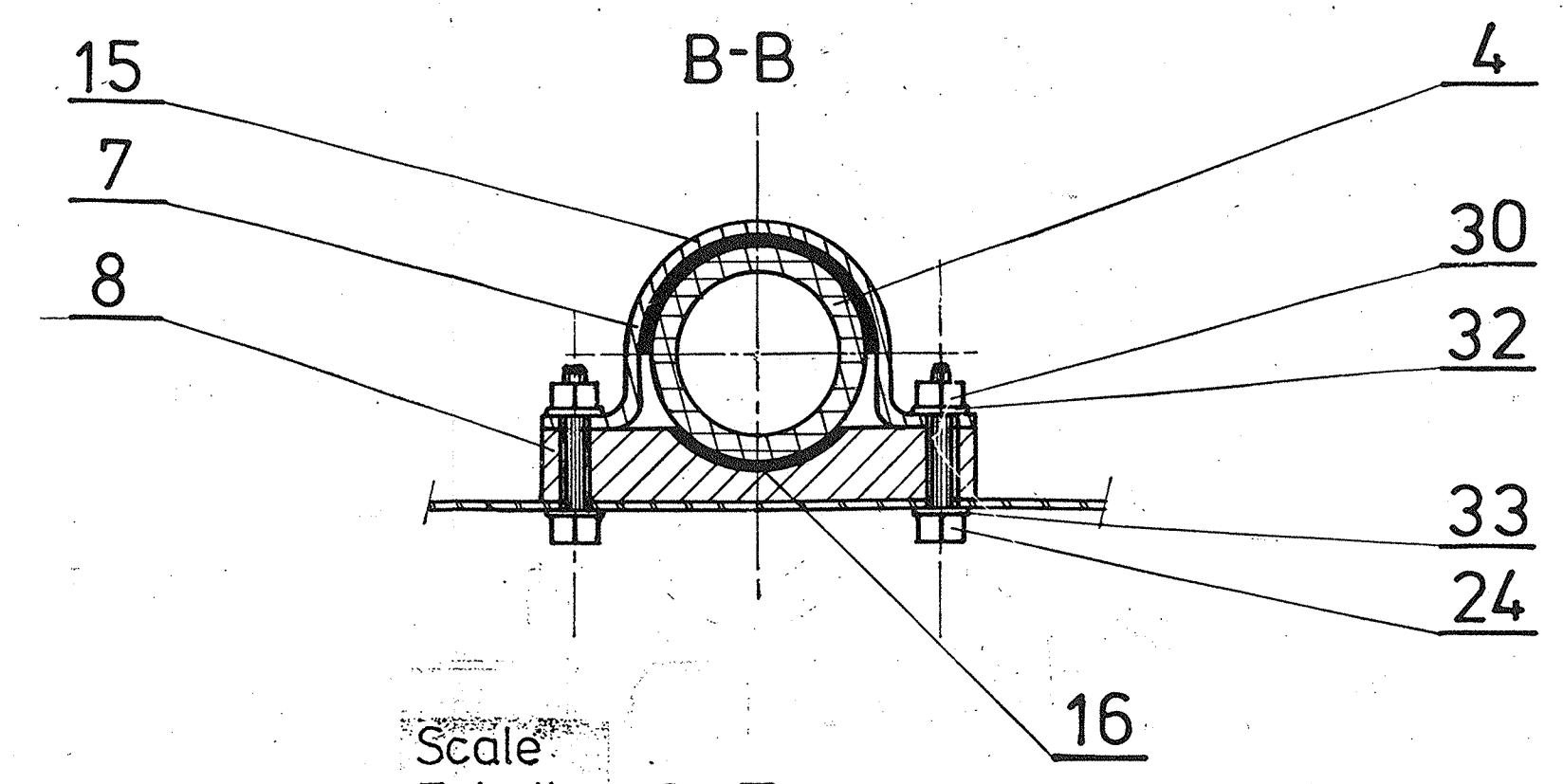
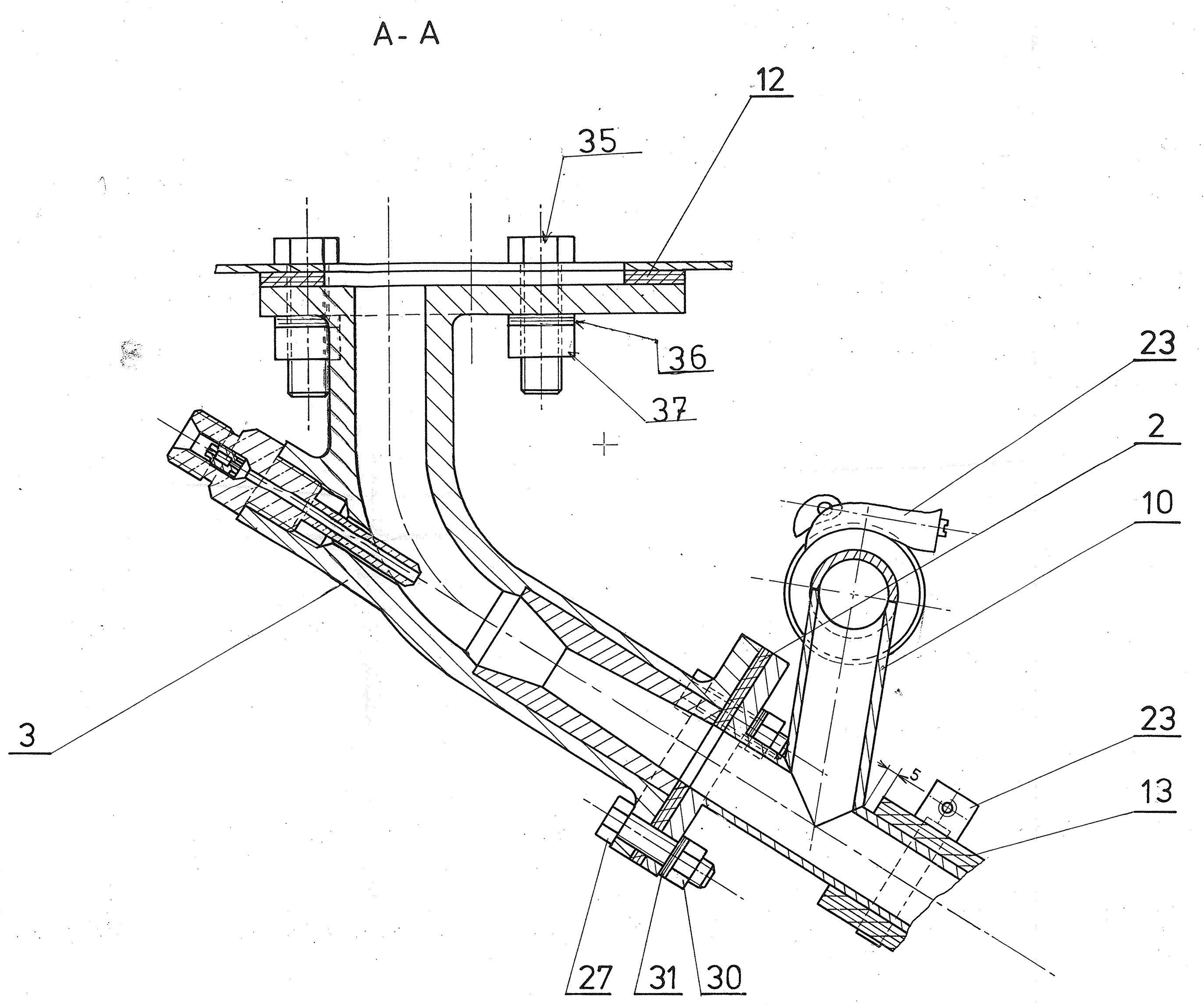
TRK 9602 802

SANDING ASSEMBLY
MONTAGE SABLAGE
MONTAGE ZANDSTROOIING

T.M.S.T.G.
F 16002

Pour mémoire commandé avec ejecteur

NO. OF ASSY'S	NO. OF ASSY'S
NO. OF PARTS	NO. OF PARTS
NO. OF SUB-ASSEMBLIES	NO. OF SUB-ASSEMBLIES
NO. OF MATERIALS	NO. OF MATERIALS
NO. OF FINISHES	NO. OF FINISHES
NO. OF TOLERANCES	NO. OF TOLERANCES
NO. OF DIMENSIONS	NO. OF DIMENSIONS
NO. OF WEIGHTS	NO. OF WEIGHTS
NO. OF VOLUMES	NO. OF VOLUMES
NO. OF SURFACES	NO. OF SURFACES
NO. OF COLOURS	NO. OF COLOURS
NO. OF TEXTURES	NO. OF TEXTURES
NO. OF MARKINGS	NO. OF MARKINGS



WEDING ACCORDING TO NEEDS
 GALAGE SUJANT BESOINS
 VERSPEE NAAR BEHOEFTE

Scale
 Echelle 1:2 - F-
 Schaal

Scale
 Echelle 1:2
 Schaal

NO. OF ASSY'S	NO. OF ASSY'S
NO. OF PARTS	NO. OF PARTS
NO. OF SUB-ASSEMBLIES	NO. OF SUB-ASSEMBLIES
NO. OF MATERIALS	NO. OF MATERIALS
NO. OF FINISHES	NO. OF FINISHES
NO. OF TOLERANCES	NO. OF TOLERANCES
NO. OF DIMENSIONS	NO. OF DIMENSIONS
NO. OF WEIGHTS	NO. OF WEIGHTS
NO. OF VOLUMES	NO. OF VOLUMES
NO. OF SURFACES	NO. OF SURFACES
NO. OF COLOURS	NO. OF COLOURS
NO. OF TEXTURES	NO. OF TEXTURES
NO. OF MARKINGS	NO. OF MARKINGS

SSB3BRD000C66TFE2ZA4
 mnaecoLij17bdpqvwy

SANDING ASSEMBLY
 MONTAGE SABLAGE
 MONTAGE ZANDSTROOIING

TRK 9 602 802

T.M.S.T.G.
 F 16.002

TRK 9 602 802

A	FM 864	PA	E	FM 1266
B	FM 893	PA		
C	FM 961	PA		
D	FM 1141 (0715)	PA		

Supplier	Item	Symbol	Qty	Description	Material standard, drawing	EG
Number	Part	Code			Notice - norme - dessin	
Designation	Designation	Designation			Notice - norme - dessin	
Technical specifications	Technical specifications	Technical specifications			Notice - norme - dessin	
Technical specifications	Technical specifications	Technical specifications			Notice - norme - dessin	