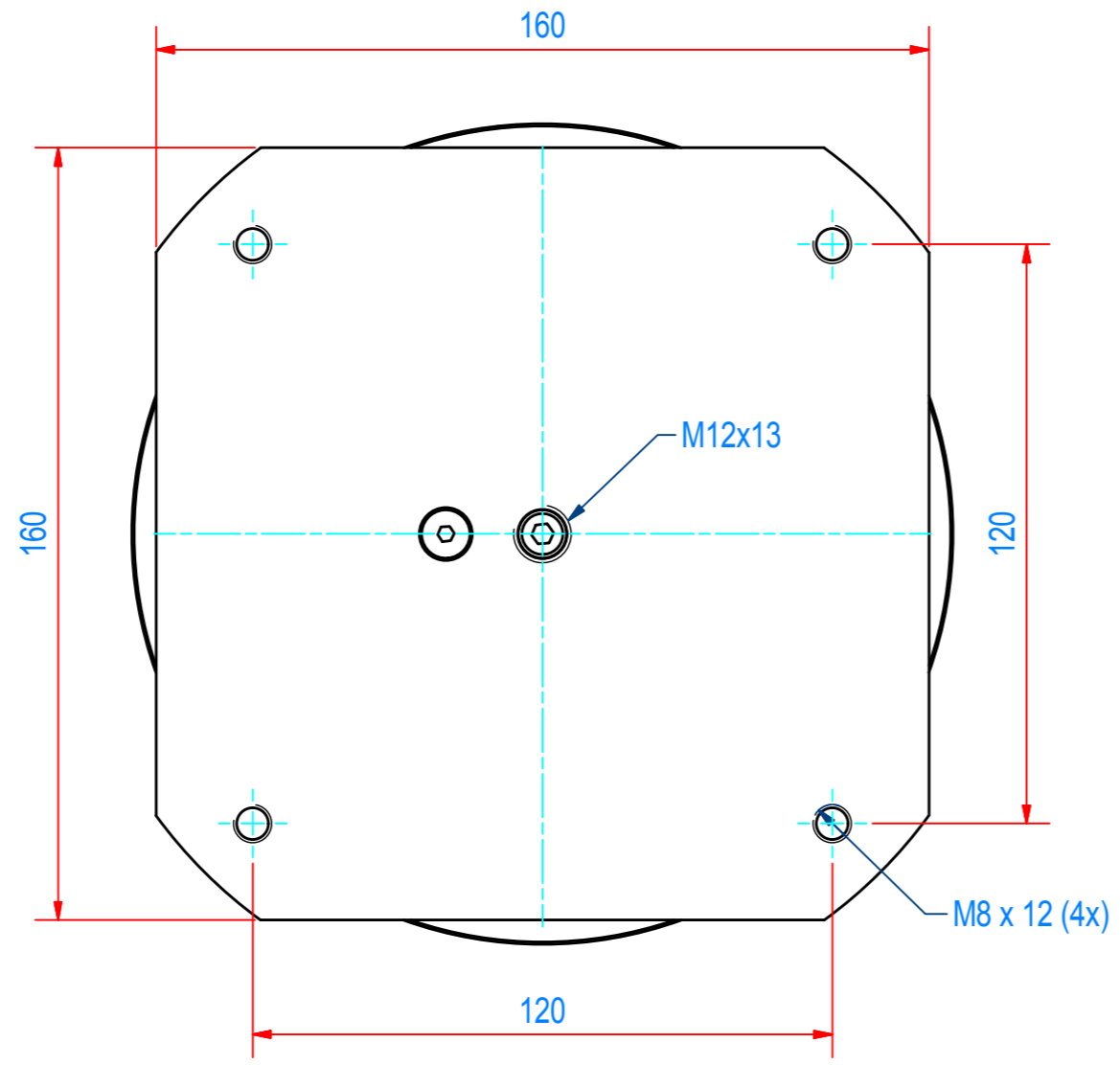
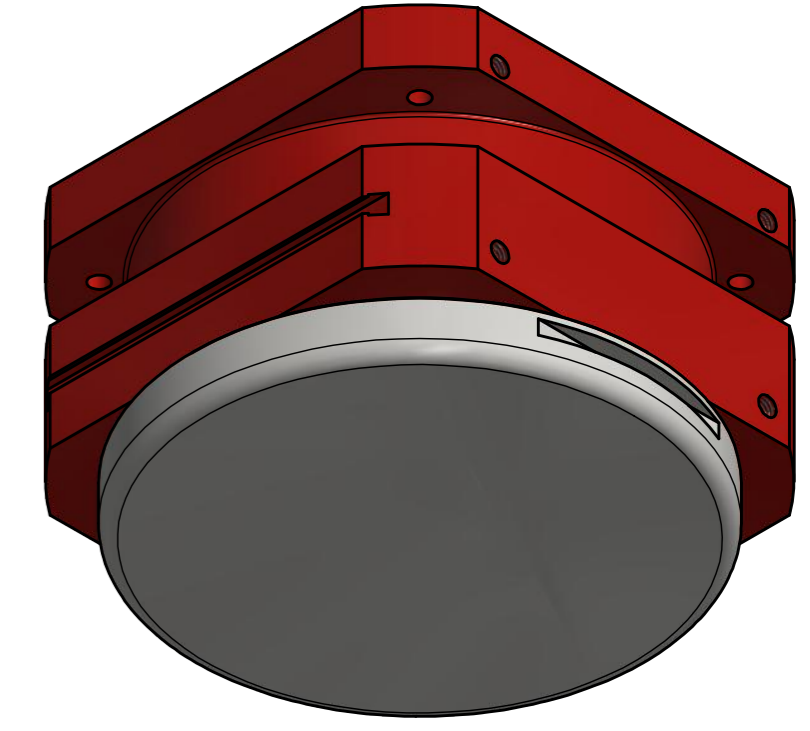
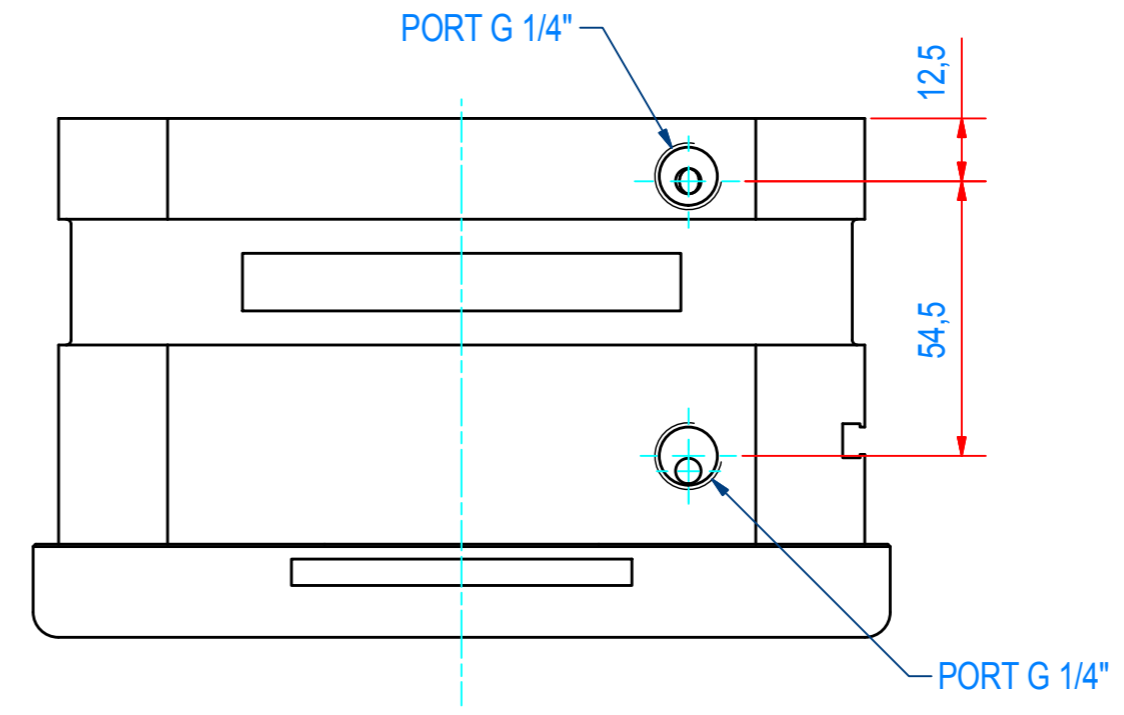
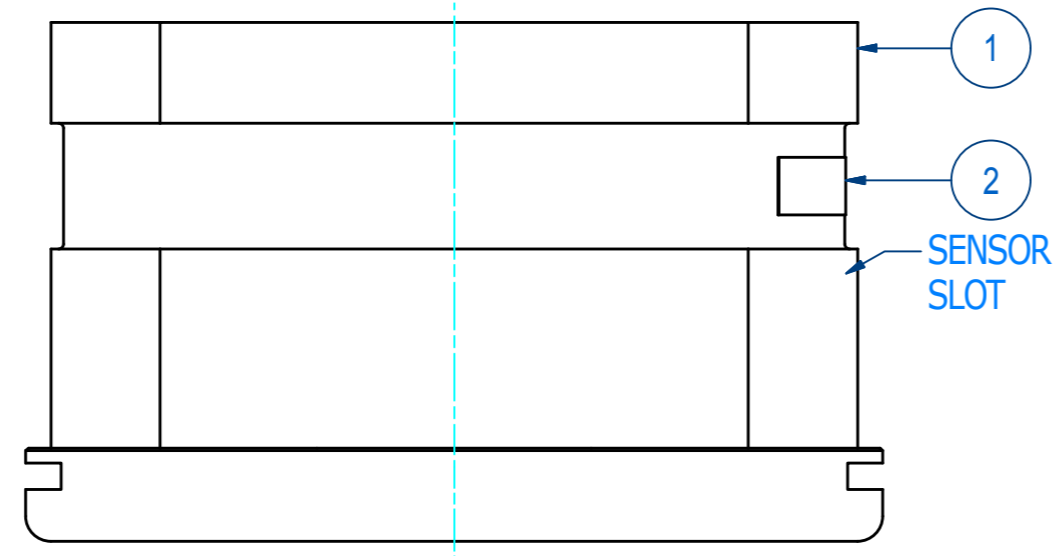
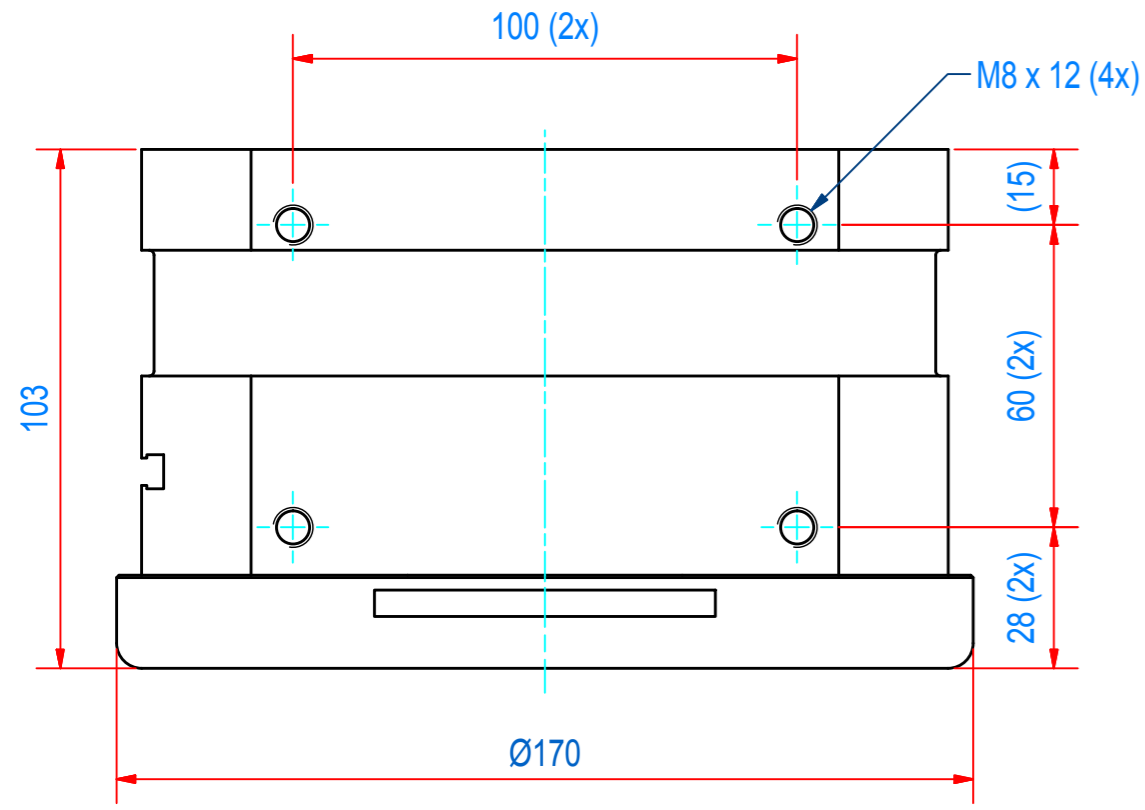
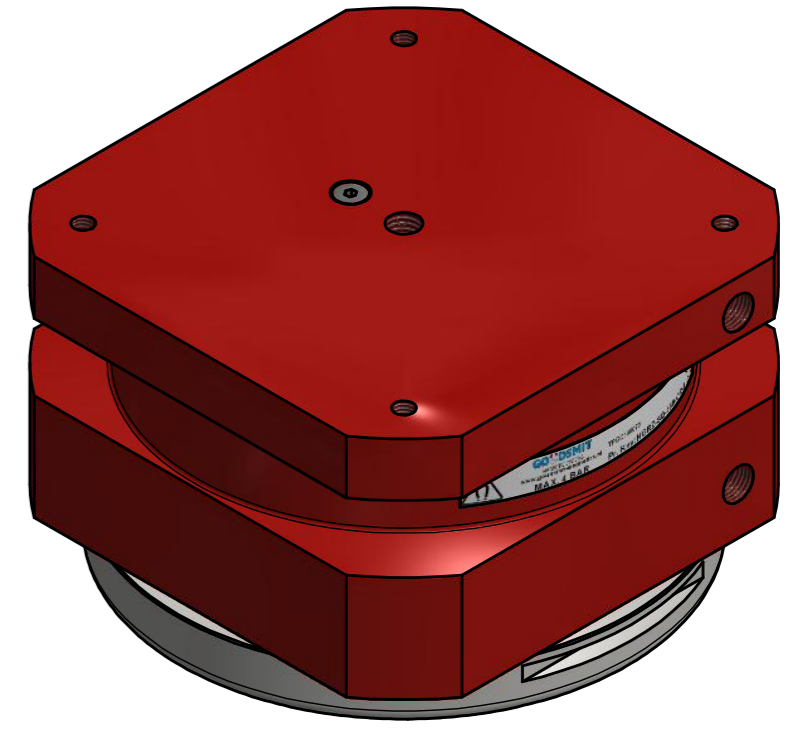


REV	DATE	BY	DESCRIPTION
-	8-4-2013	PB	NEW VAULT, NEW REVISION. NOTHING CHANGED. OLD REV WAS D
A	24-6-2015	AvD	E0034158 WAS A190523 (REDESIGN, HEIGHT 104 WAS 94)
B	1-7-2015	AvD	O-RING DELETED FROM BOTTOM



USE PUN-E-8x1 HOSE



ITEM	QTY	PART NUMBER	DESCRIPTION	Dimensions
2	1	E0038029	STICKER TPGC160078	
1	1	E0034158	MOUNTING ASSY TPGC160	
RAW MAT.	1			
Sheet:	A2	Extra info:	MAGNETIC GRIPPER	General tolerance: ISO 2768- mK
Drawn:	PB	Weight (kg):	5,7	Drawn according: ISO268; ISO1101; ISO2553
Date:	8-4-2013			Status: Standard
Spare part:	False			Customer reference number:
Quick search:	TPGC160			File number: TPGC160078 Rev: B
Description:			HGR-SQ-160-FL-F-G-S	Part number: TPGC160078 Rev: B