



baelz 373-E07

DESCRIPTION

Motorized linear actuator for control operation For control valves up to DN125.

TECHNICAL SPECIFICATIONS

Environmental parameters:

Temperature: 0 ... +50°C

Relative humidity: 0 ... 75%

Stroke:

12, 16, 22 mm

Cover: plastic

1 cable inlet M16x1.5 (plastic)

2 locking screws for cable inlet M16x1.5 (plastic)

Manual operation

Yoke options:

Aluminum yoke for valves DN15 ... DN125

S21 - for fittings with Ø 10 mm spindle

S21L - for fittings with Ø 16 mm spindle

Type baelz 373	Weight (kg)	Power (N)	Speed (mm/min)		Power (VA)	Supply voltage	IP rating
			50 Hz	60 Hz			
E07-20-06-S21/L	2.2	2000	6	7.2	11.7	230 V, 115 V, 24 V 50/60 Hz	IP 42*
E07-20-18-S21/L	2.2	2000	18	21.7			
E07-70-130-S21/L	2.2	700	130	156			

* - IP 65 can be ordered if manual operation is not required

Option / Extra	Description	Remarks
2EZ-V2	2 limit switches with position indicator	
Mf-FgA	Multiturn potentiometer	A= 200 Ω, 5 kΩ, 1 kΩ Please specify resistance when ordering
2EZ-V2-FgA	2 limit switches with position indicator and feedback potentiometer	
7164-230		including potentiometer 1-5 kΩ Supply : 24 V / 115 V / 230 V 50/60 Hz order to match actuator!
7164-115	Built-in microprocessor controller	
7064-24		
7020-230		Input / output signal: 0(2)...10 V / 0(4)...20mA factory setting 0...10 V Includes 5 kΩ feedback potentiometer Supply : 24 V / 115 V / 230 V 50/60 Hz
7020-115	Digital positioner	
7020-24		
MP373-E07-S21-L	Ständeraufbau für Armaturen mit Spindel-Ø 16 mm	Surcharge on top of basic price of 373-E07...S21
MP373-E07-Silf	Silicone-free version	
MP373-E07-KT9992	Mechanical travel limits	
MP373-E07-RH	Locking manual override	
MP373-E07-IP65	Ingress protection rating IP65	
MP373-E07-2RC	2 additional RC snubbers	Fitted in actuator E07..., 230 V



baelz 7164

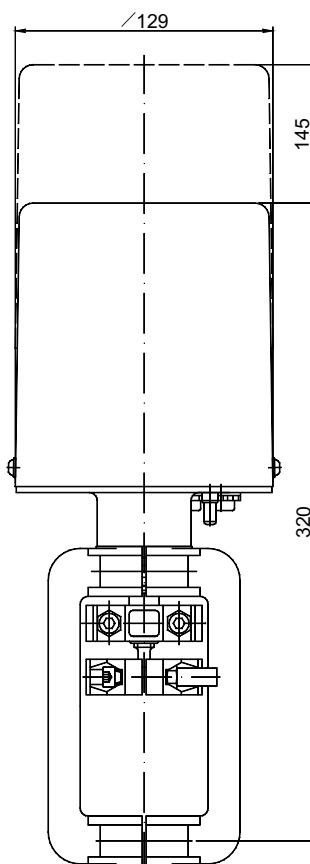
Integrated positioners for baelz 373-E07:
 baelz 7164 - microprocessor-based controller
 baelz 7020 - digital positioner

See section: 3.4 Built-in Controllers for Electric Actuators

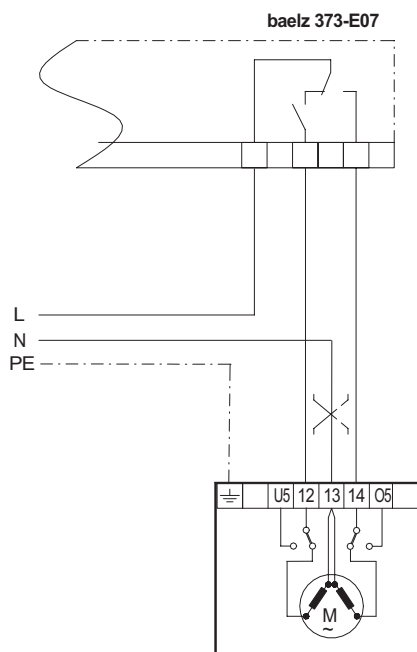


baelz 7020

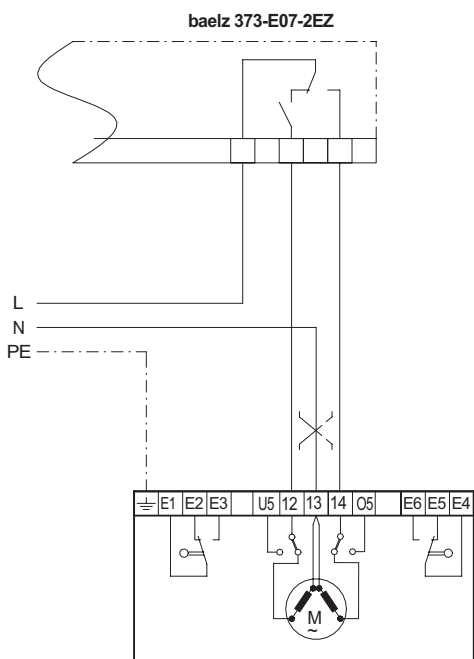
Dimensions
 baelz 373-E07 (mm)



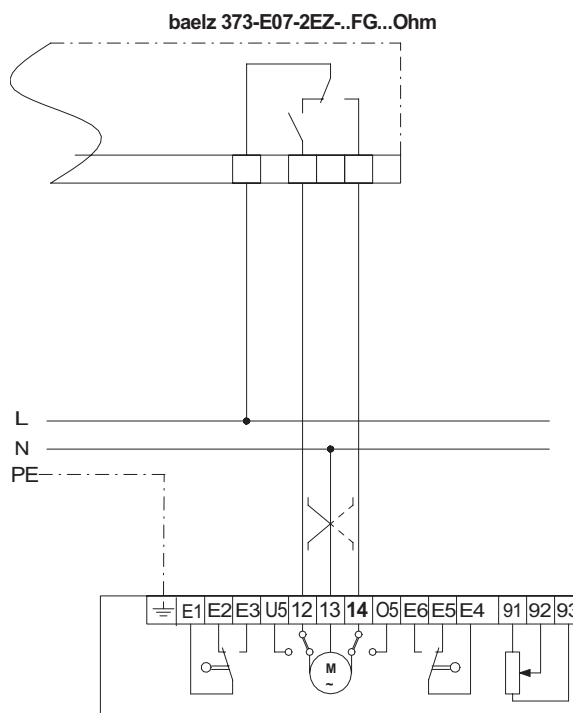
Wiring diagram, basic version



With additional limit switches

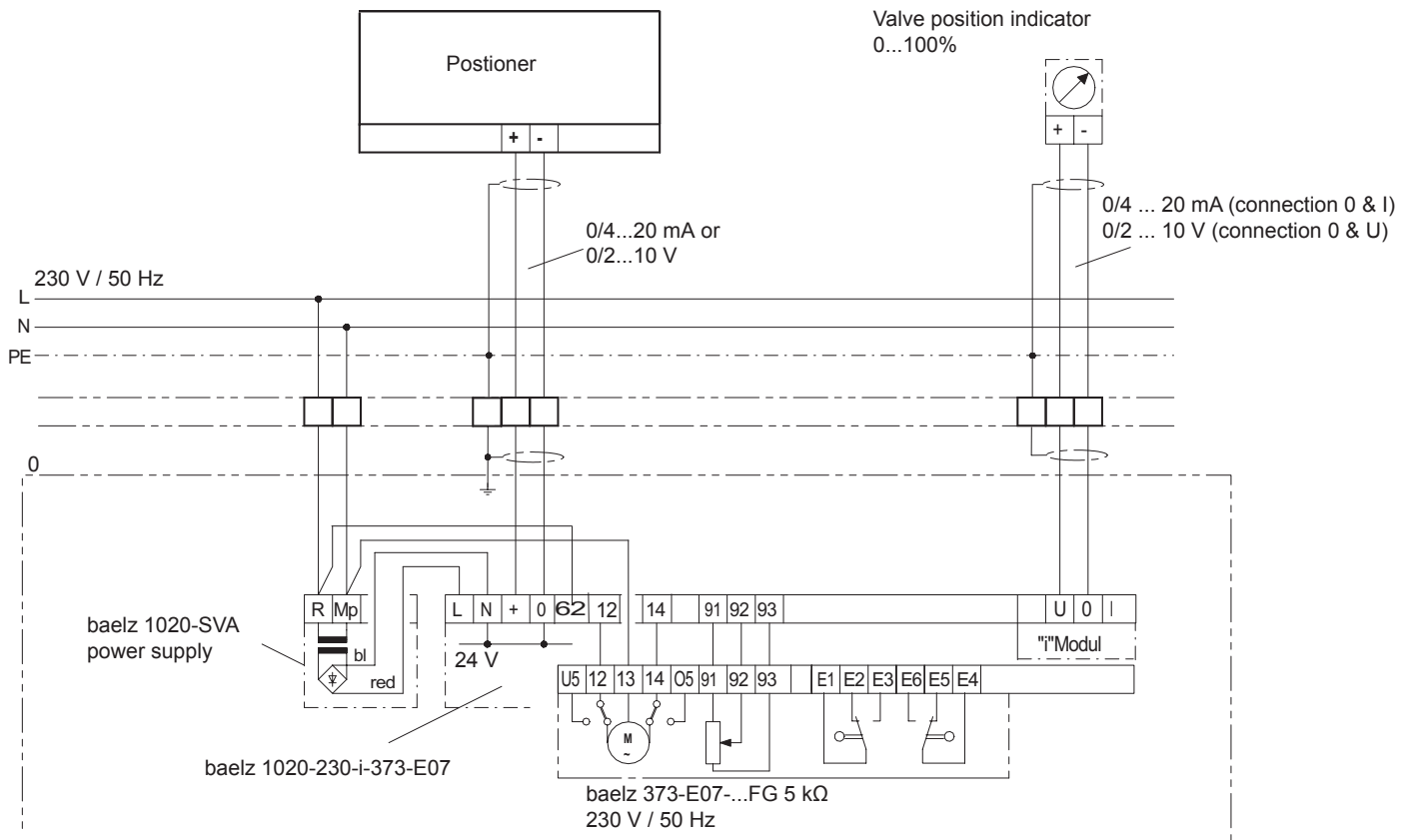


With additional limit switches and feedback potentiometer



373-E07-20-18-S21-2EZ-V2-Fg

With baelz 1020 230/50 Hz electric positioner



With baelz 1020 24/50 Hz electric positioner

