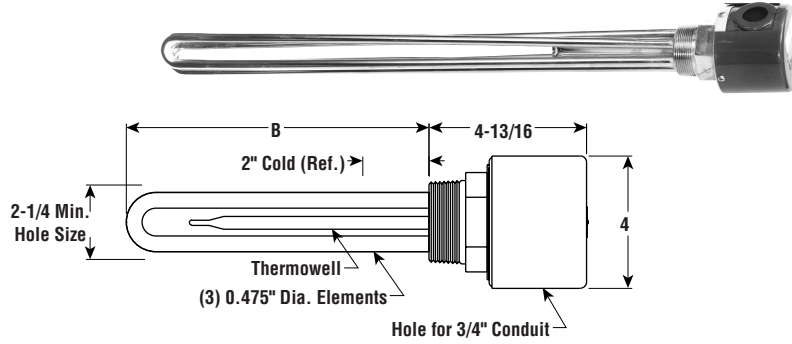


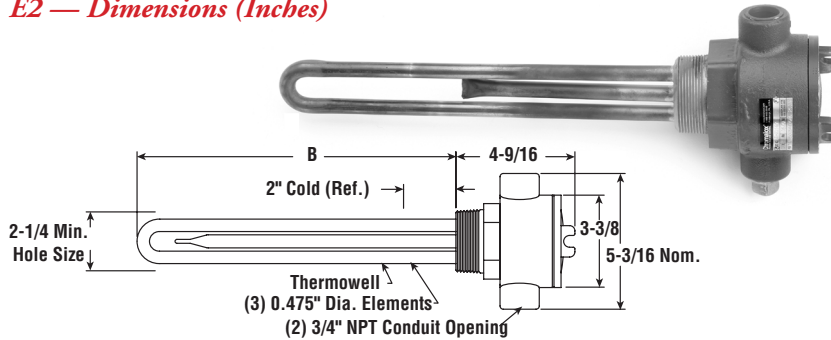
EMTI-3 Solution Water Applications

- 2" NPT Stainless Steel Screw Plug
- INCOLOY® Sheath Elements
- High Watt Density (45 W/in²)
- 3 - 18 kW
- Without Thermostat
- 240 and 480 Volt, Three Phase
- General Purpose, Moisture Resistant/Explosion Resistant Terminal Enclosure, Moisture Resistant

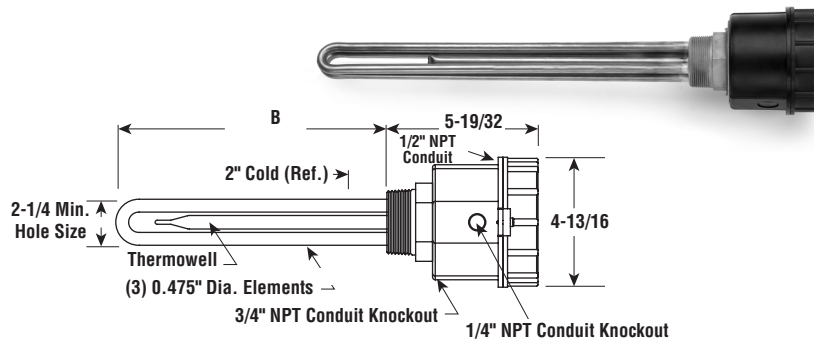
E1 — Dimensions (Inches)



E2 — Dimensions (Inches)



E4TP — Dimensions (Inches)



Specifications and Ordering Information

						E1 General Purpose ¹				E2 Moisture Resistant/Explosion Resistant ²				E4 Moisture Resistant			
kW	Volts	Phase	W/in ²	No. Elem.	DIM B (In.)	Model	Stock	PCN	Wt. (Lbs.)	Model	Stock	PCN	Wt. (Lbs.)	Model	Stock	PCN	Wt. (Lbs.)
3	240	3	45	3	7-3/4	EMTI-330	AS	097877	5	EMTI-330E2	AS	032571	8	EMTI-330E4TP	AS	061030	11
3	480	3	45	3	7-3/4	EMTI-330	AS	097885	5	EMTI-330E2	AS	032580	8	EMTI-330E4TP	AS	061049	11
6	240	3	45	3	17-3/4	EMTI-360	AS	097893	6	EMTI-360E2	AS	032598	9	EMTI-360E4TP	AS	061057	12
6	480	3	45	3	17-3/4	EMTI-360	AS	097906	6	EMTI-360E2	AS	032600	9	EMTI-360E4TP	AS	061065	12
9	240	3	45	3	24-7/8	EMTI-390	AS	097914	7	EMTI-390E2	AS	032619	10	EMTI-390E4TP	AS	061073	13
9	480	3	45	3	24-7/8	EMTI-390	AS	097922	7	EMTI-390E2	AS	032627	10	EMTI-390E4TP	AS	061081	13
12	240	3	45	3	32-7/16	EMTI-3120	AS	097930	9	EMTI-3120E2	AS	032635	12	EMTI-3120E4TP	AS	060978	15
12	480	3	45	3	32-7/16	EMTI-3120	AS	097949	9	EMTI-3120E2	AS	032643	12	EMTI-3120E4TP	AS	060986	15
15	240	3	45	3	40-3/8	EMTI-3150	AS	097957	10	EMTI-3150E2	AS	032651	13	EMTI-3150E4TP	AS	060994	16
15	480	3	45	3	40-3/8	EMTI-3150	AS	097965	10	EMTI-3150E2	AS	032660	13	EMTI-3150E4TP	AS	061006	16
18	240	3	45	3	47-7/8	EMTI-3180	AS	097973	12	EMTI-3180E2	AS	032678	15	EMTI-3180E4TP	AS	061014	18
18	480	3	45	3	47-7/8	EMTI-3180	AS	097981	12	EMTI-3180E2	AS	032686	15	EMTI-3180E4TP	AS	061022	18

Stock Status: S = stock AS = assembly stock NS = non-stock
To Order—Specify model, volts, phase, kW, PCN and quantity.

FASTShip

Same-day shipping on stock item orders received before 4 pm CST. 3-day shipping on assembly-stock items.

1. Heaters with General Purpose Enclosures are UL Listed and CSA Certified.
2. Heaters with Moisture Resistant/Explosion Resistant Enclosures are CSA^{US} Certified.