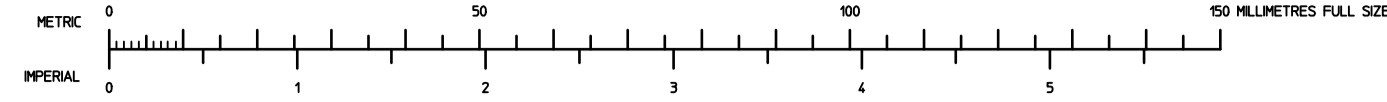
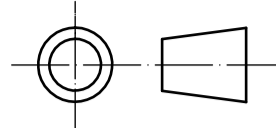


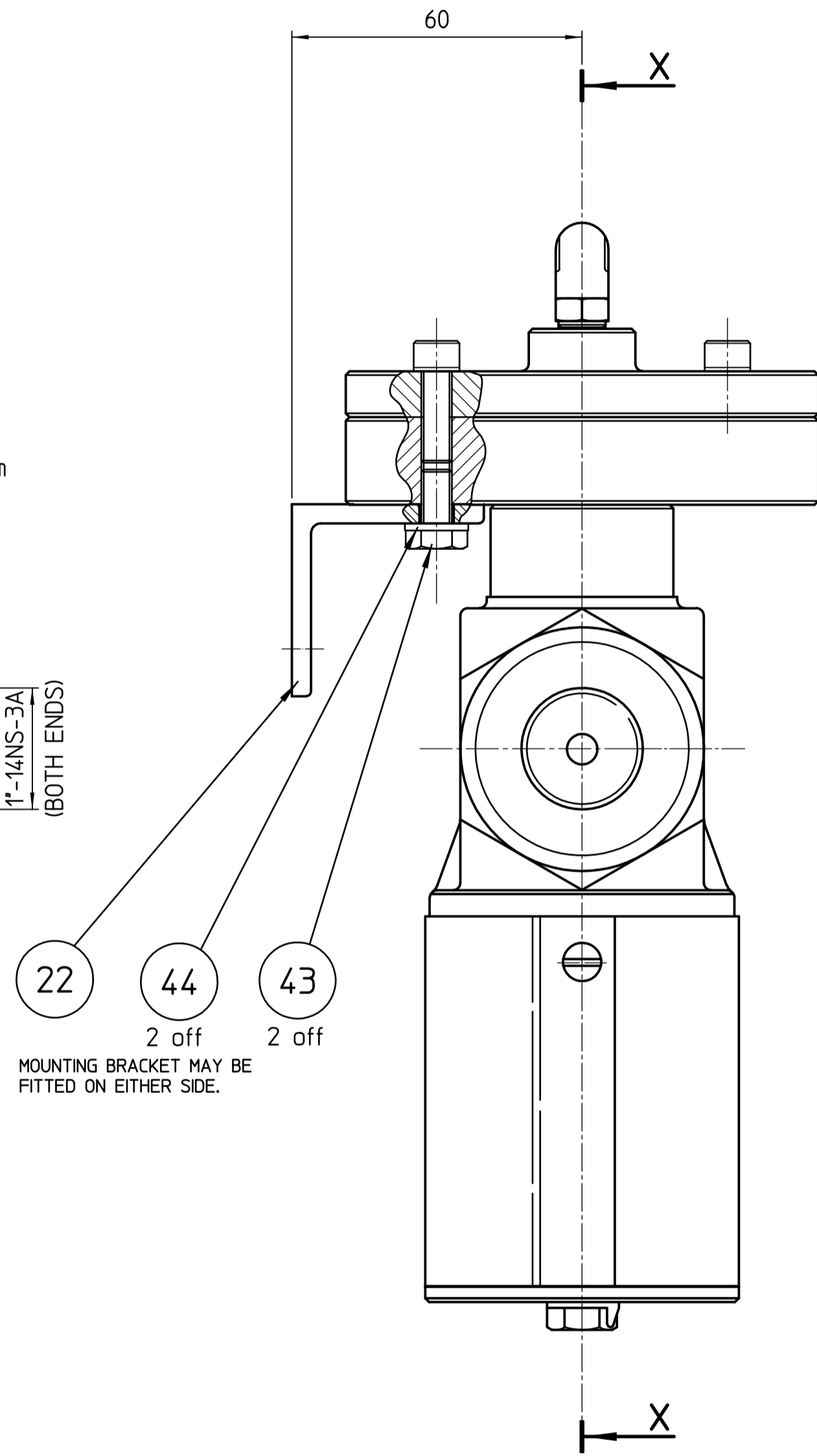
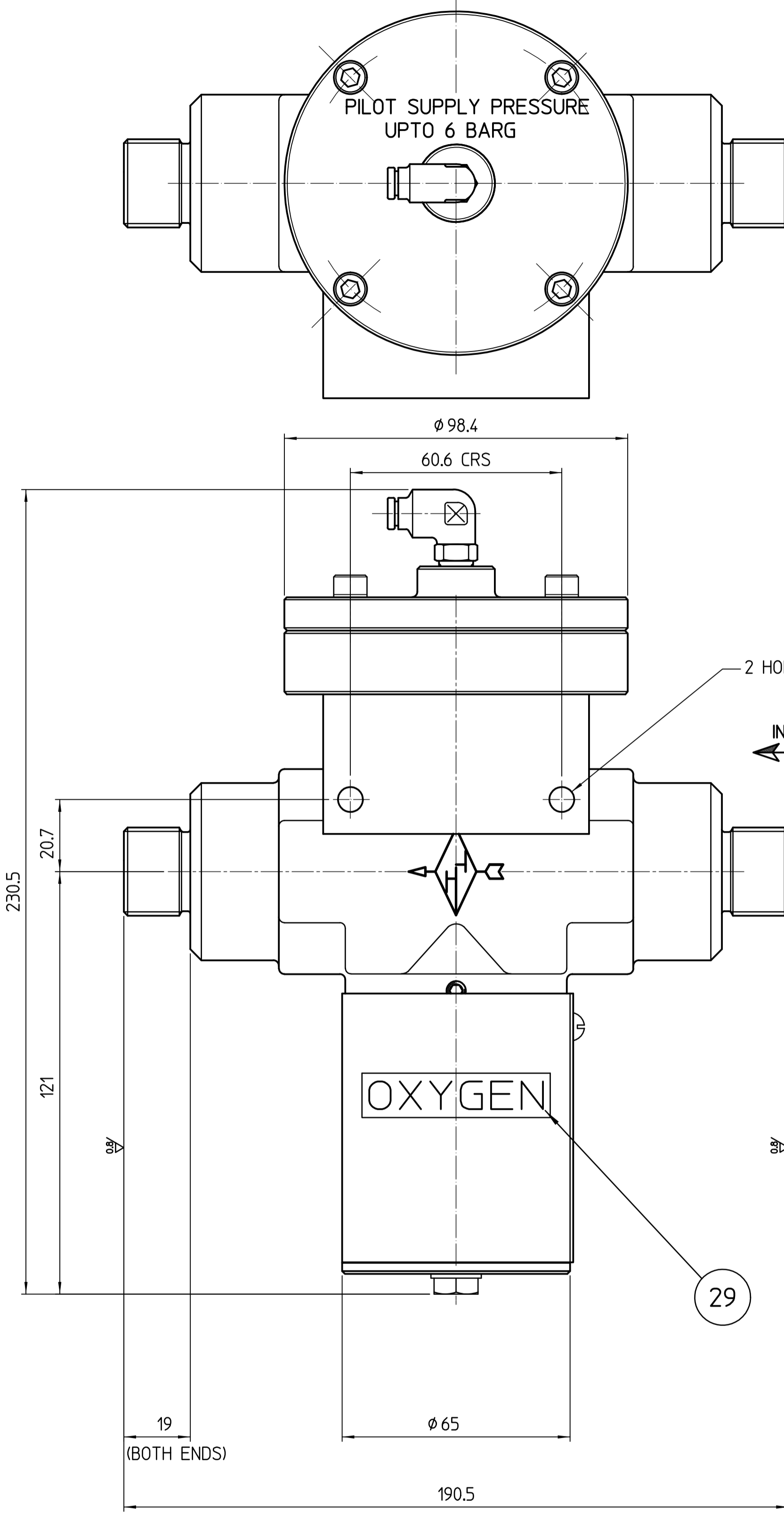
SECURITY CLASSIFICATION CLASSIFICATION CODE

3rd ANGLE PROJECTION



USED ON  
 BASED ON  
 THIS IS A CAD GENERATED DRAWING / DESIGN AND MUST NOT BE USED FOR TENDERING PURPOSES OR FOR MANUFACTURE IN EACH CASE WITHOUT THE WRITTEN CONSENT OF HALE HAMILTON VALVES LIMITED. THIS DRAWING / DESIGN IS THE PROPERTY OF HALE HAMILTON VALVES LIMITED AND CONTAINS CONFIDENTIAL INFORMATION. IT IS TO BE COPIED OR COMMUNICATED TO ANY OTHER PERSON AND MUST NOT BE USED FOR TENDERING PURPOSES OR FOR MANUFACTURE IN EACH CASE WITHOUT THE WRITTEN CONSENT OF HALE HAMILTON VALVES LIMITED.

CERT'D  
 CHK'D  
 N.W.R.  
 26-11-97  
 DRAWN  
 D.C.L.  
 26-11-97

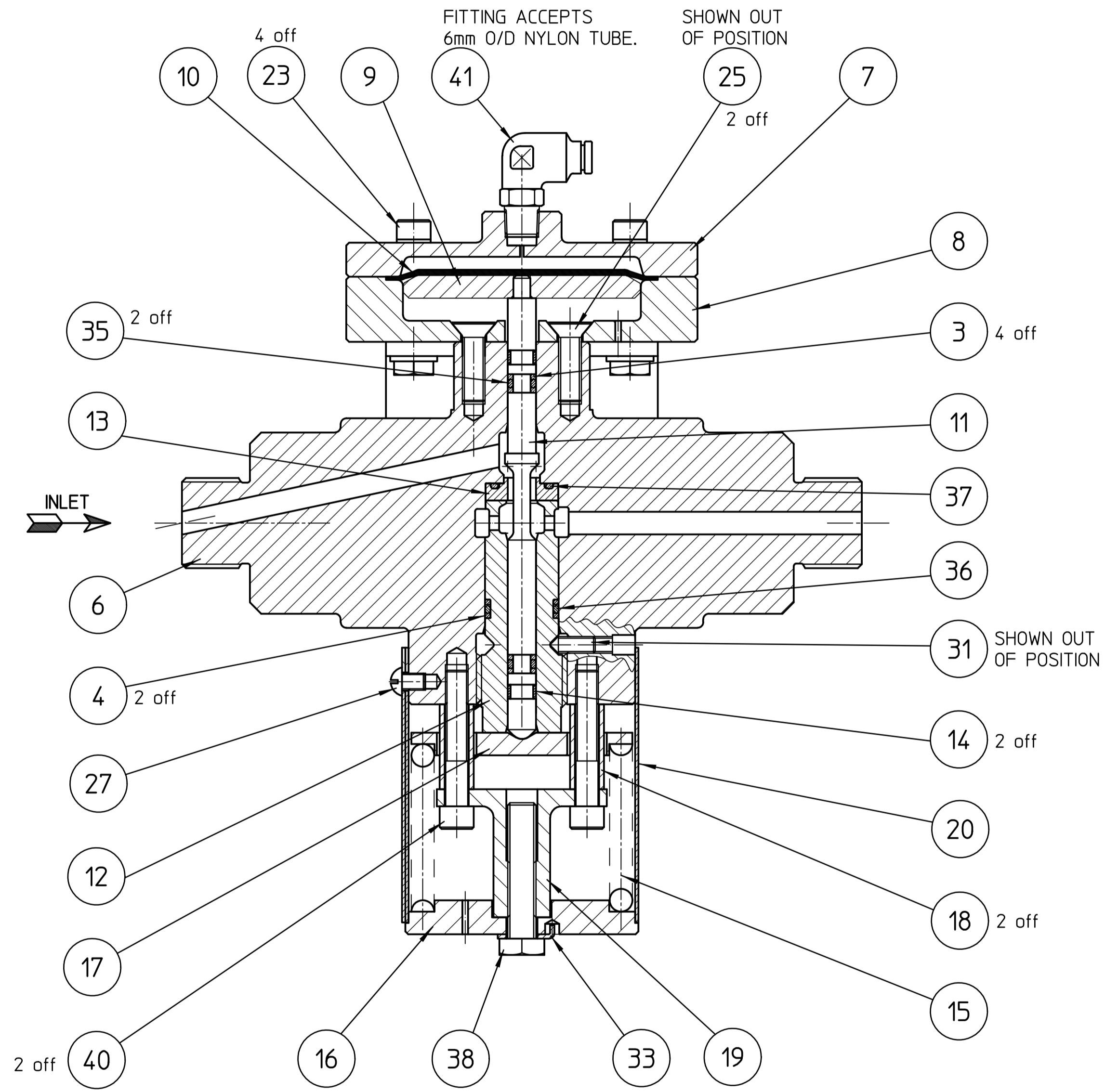


MEDIUM :-  
 MAXIMUM WORKING PRESSURE :-  
 HYDRAULIC TEST PRESSURE :-  
 HHV CLEANLINESS SPEC. :-  
 HHV LUBRICATION SPEC. :-  
 HHV TEST SPEC. :-  
 ESTIMATED WEIGHT :-  
 ACTUAL WEIGHT :-  
 ACTUATOR SUPPLY PRESSURE :-  
 ACTUATOR OPERATING MEDIUM :-  
 ACTUATOR HYDRAULIC TEST PRESSURE :-

OXYGEN  
 420 BARG (6090 PSIG)  
 630 BARG (9135 PSIG)  
 C7  
 C11 GROUP 3  
 114

6 BARG (87 PSIG)  
 AIR OR NITROGEN  
 9 BARG (131 PSIG)

TEST EQUIPMENT :-  
 TD3243 - TEST ADAPTOR - 2 off  
 ND52686 - RETAINING NUT - 2 off  
 B03224 - O-RING BS1806-013 - 2 off



SECTION X-X  
 (VALVE SHOWN IN OPEN POSITION)

MATERIAL:		CONTRACTOR		CONTRACTORS DRG N°											
SPECIFICATION:		HALE HAMILTON (VALVES) LTD. LUXBRIDGE		NB52693											
FINISH:		MOD ESTABLISHMENT		TITLE											
SPECIFICATION:		RESPONSIBLE AUTHORITY		G.A.-BALANCED STOP VALVE ACTUATED - 6.35mm NOM. BORE 'AIR TO CLOSE' - TYPE ASVB20/OX											
TOLERANCE		ESTIMATED MASS		NSN		SECURITY CLASSIFICATION & CAVEAT		CHANGE N°		DATE		ISSUE			
				SERVICE DRAWING N°				N° OF SHEETS							
				S C R/A DRG N° ORIGIN				TYPE		SHEET N°					
				1 2 3 5		K 0 2 0 7									
PROJECT N°		PARTS LIST N°		REMOVE SHARP CORNERS 1/64" MAX.RAD.OR CHAMFER UNLESS OTHERWISE STATED .		DIMS IN		SCALE							
6896		10248				MILLIMETRES		1:1							

G.A.-BALANCED STOP VALVE

NB52693