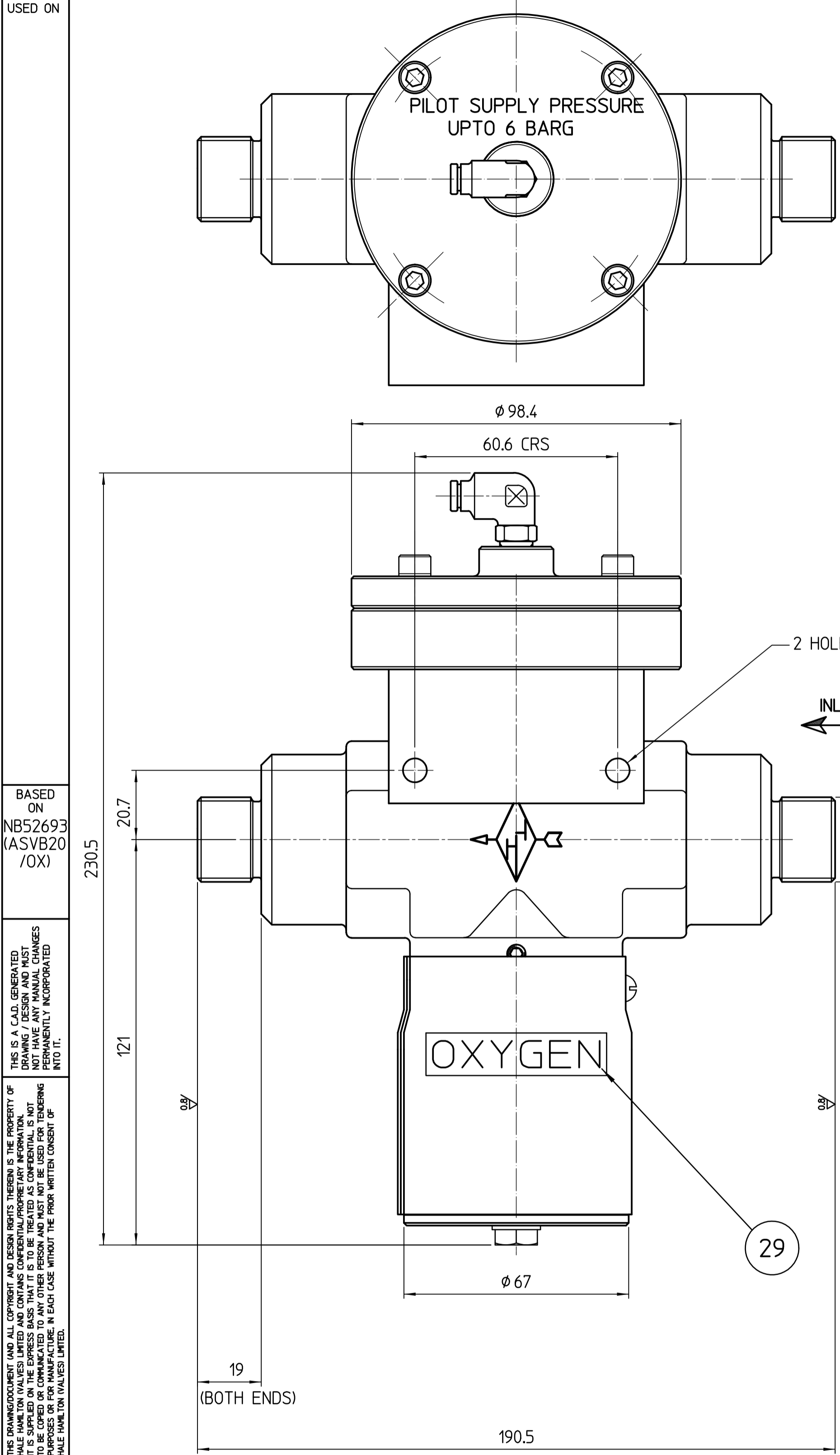


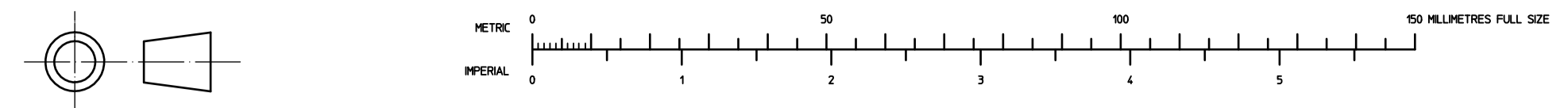
1	2	3	4	5	6	7	8	9	10	11	12	13	14	15	16
---	---	---	---	---	---	---	---	---	----	----	----	----	----	----	----

SECURITY CLASSIFICATION CLASSIFICATION CODE



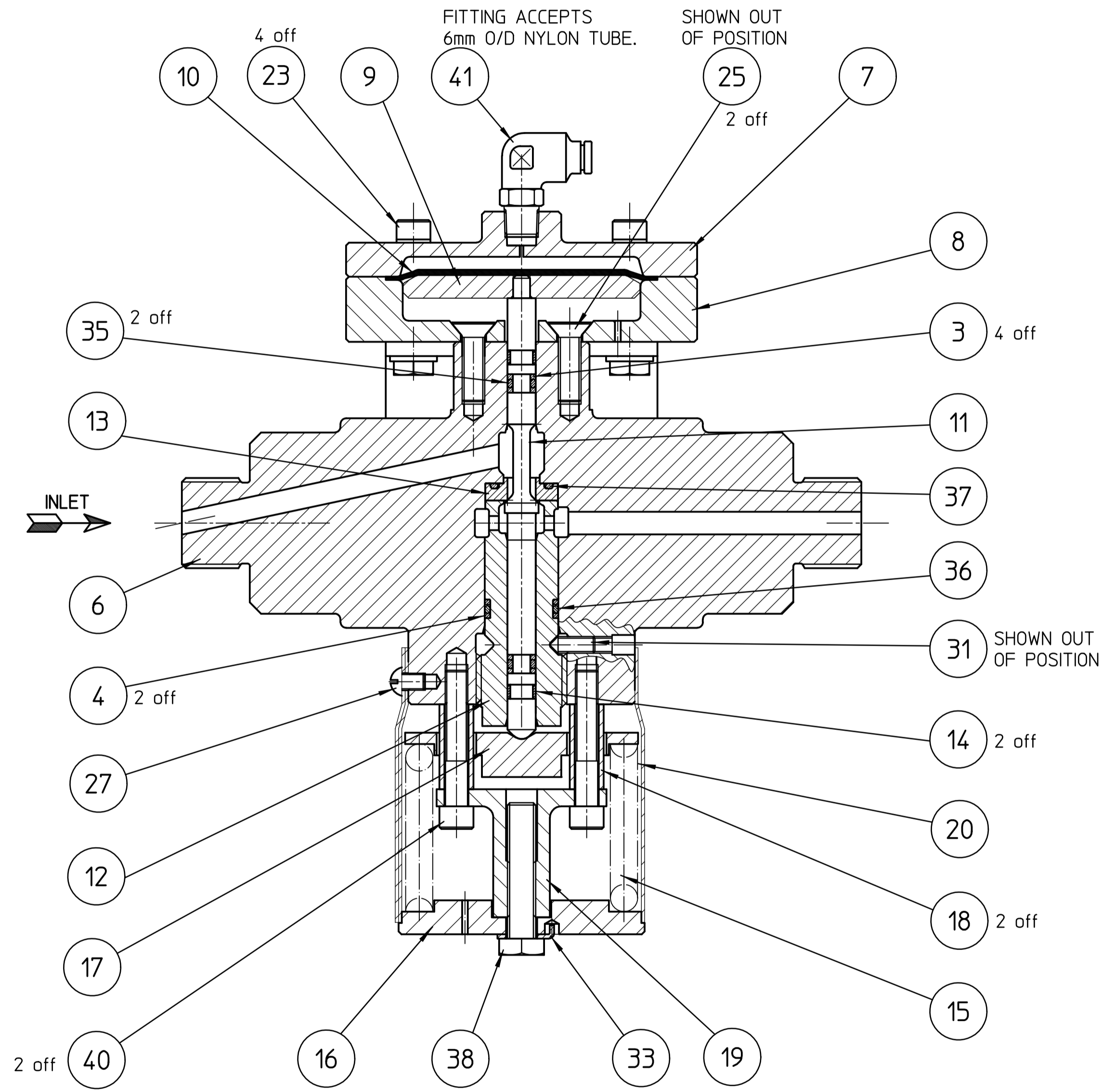
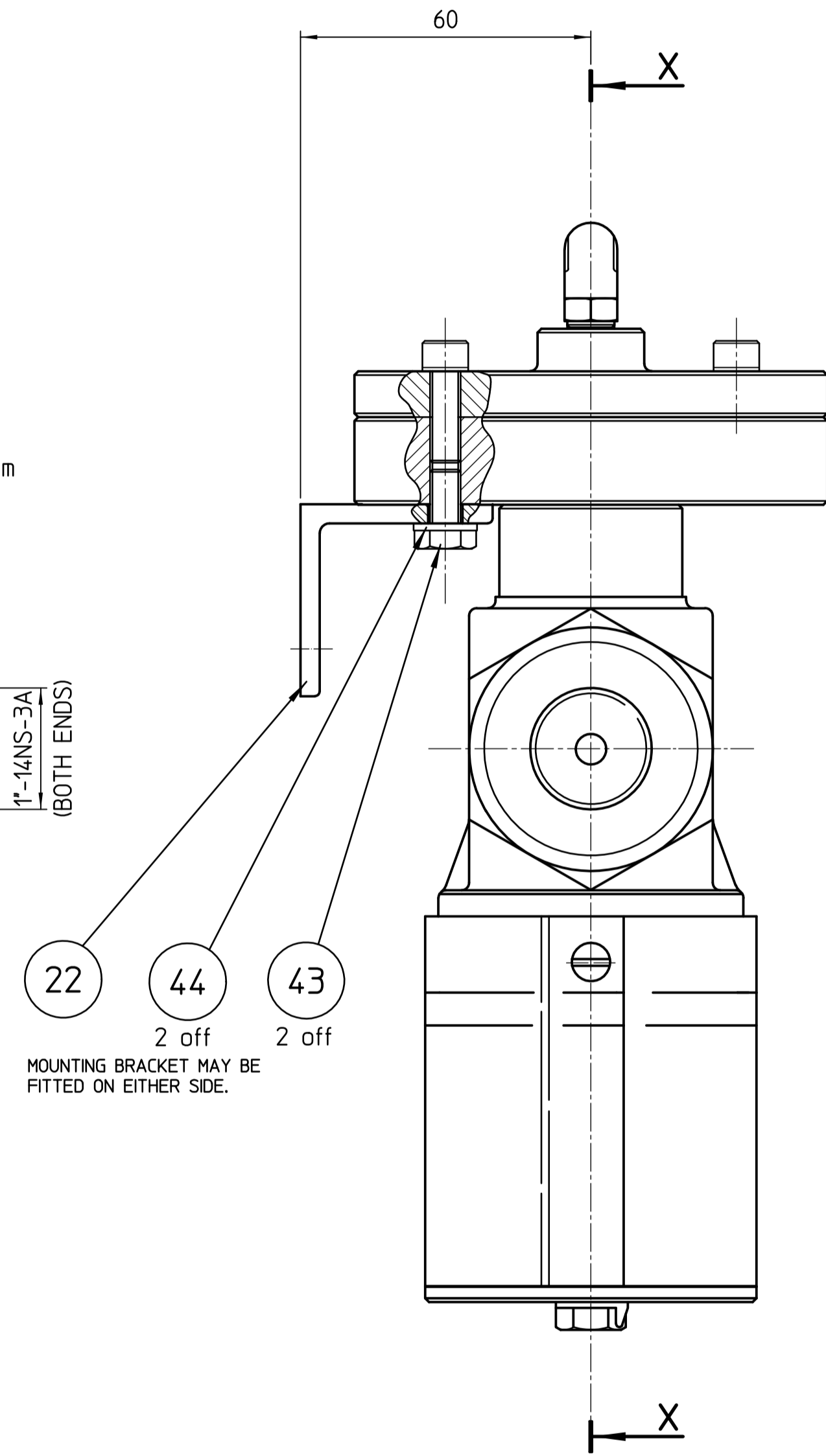
USED ON	
BASED ON	NB52693 (ASVB20 /OX)
CERT'D	
CHK'D	
D.C.L.	19-02-98
DRAWN	
N.W.R.	19-02-98

3rd ANGLE PROJECTION



MEDIUM :-  
 OXYGEN  
 MAXIMUM WORKING PRESSURE :- 420 BARG (6090 PSIG)  
 HYDRAULIC TEST PRESSURE :- 630 BARG (9135 PSIG)  
 HHV CLEANLINESS SPEC. :- C7  
 HHV LUBRICATION SPEC. :- C11 GROUP 3  
 HHV TEST SPEC. :- 114  
 ESTIMATED WEIGHT :-  
 ACTUAL WEIGHT :-  
 ACTUATOR SUPPLY PRESSURE :- 6 BARG (87 PSIG)  
 ACTUATOR OPERATING MEDIUM :- AIR OR NITROGEN  
 ACTUATOR HYDRAULIC TEST PRESSURE :- 9 BARG (131 PSIG)

TEST EQUIPMENT :-  
 TD3243 - TEST ADAPTOR - 2 off  
 ND52686 - RETAINING NUT - 2 off  
 B03224 - O-RING BS1806-013 - 2 off



SECTION X-X  
(VALVE SHOWN IN CLOSED POSITION)

MATERIAL:		CONTRACTOR		CONTRACTORS DRG NO.											
SPECIFICATION:		HALE HAMILTON (VALVES) LTD.		NB53052											
FINISH:		LUXBRIDGE		TITLE		ACTUATED BALANCED STOP VALVE									
SPECIFICATION:		MOD ESTABLISHMENT		6.35mm NB - NORMALLY CLOSED											
TOLERANCE		RESPONSIBLE AUTHORITY		NSN		'AIR TO OPEN' - TYPE:- ASVB20 MK1/OX						CHANGE NO.		DATE	
ESTIMATED MASS		SECURITY CLASSIFICATION & CAVEAT		SERVICE DRAWING NO.								TYPE		SHEET NO.	
				K 0 2 0 7								1		1	
DIM.S IN		SCALE		EN		1:1						1		1	
MILLIMETRES												1		1	
PROJECT NO.		PARTS LIST NO.		REMOVE SHARP CORNERS		1/64" MAX.RAD.OR CHAMFER						1		1	
6968		10352		UNLESS OTHERWISE STATED.								78		79	