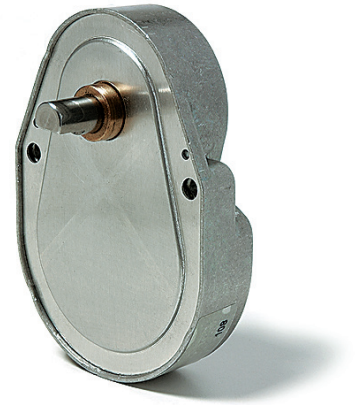


UGF

Dimensions (mm)	58 x 81
Height (mm)	17
Max. torque (cNm)	500
Ratios	4 ^{1/6} ... 5000
Internal slipping clutch	none
Standard shaft (mm)	∅ 8 x 12
Weight (g)	130
Motor combination	Series UC, UB, UD, UF



Standard Data

Mounting	any position
Axial thrust F _A	100 N
Lateral force F _R	400 N
Slipping clutches/free wheel	none
Slipping-/free wheel torque	cNm
Output shafts	∅ 8 x 12, other on request
Climatic class	wide-spread according to DIN IEC 60721-2-1
Ambient temperature operation	°C -15 ... +55
Ambient temperature storage	°C -40 ... +80

Ratios	4 ^{1/6}	8 ^{1/3}	16 ^{2/3}	20 ^{5/6}	25	30	41 ^{2/3}	50	62 ^{1/2}	83 ^{1/3}	100	125	166 ^{2/3}
	250	333 ^{1/3}	500	600	750	1000	1200	1500	4000	5000			

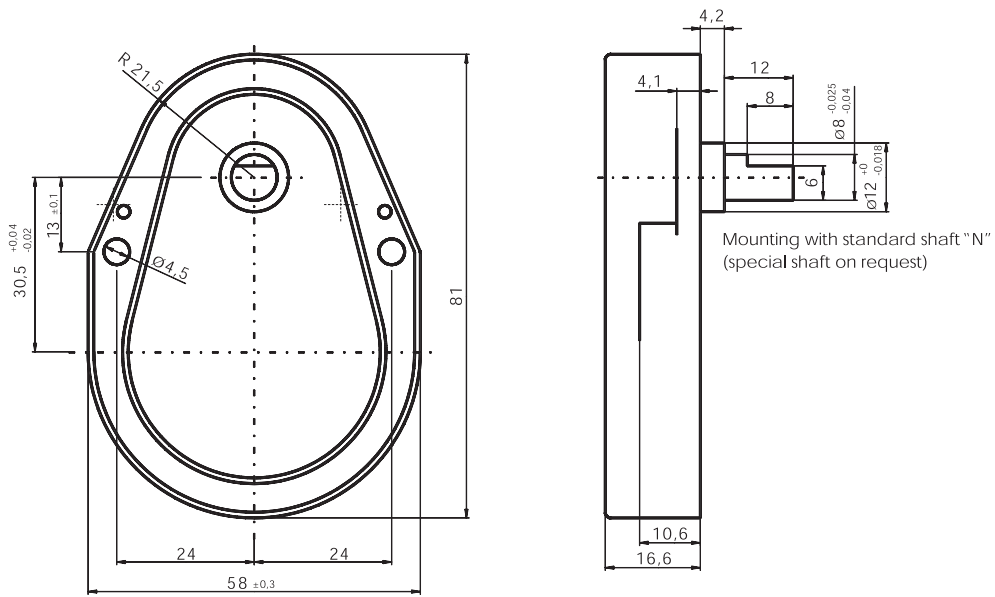
Order Reference

Type	Gearbox	UGF	100	N	N
Ratio	100				
Slipping clutch	N Without slipping clutch				
Shaft end	N ∅ 8 x 12, other on request				

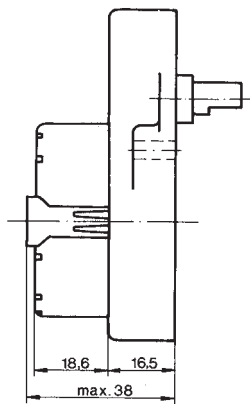


All specifications are representative only and maybe subject to variation. For confirmation of values, please contact Johnson Electric. Please also read "Saia Motors Important Notes" on catalog or at www.johnsonelectric.com/SaiaMotorsNotes

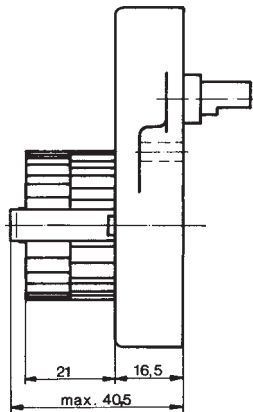
Dimensions



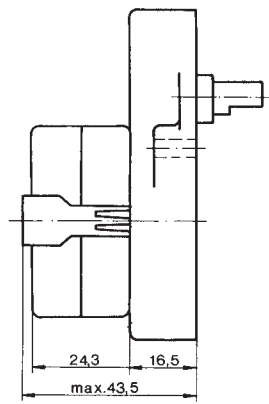
UDS 1..F



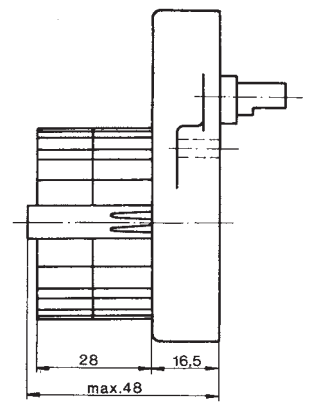
UBR 1/UBR 2..F



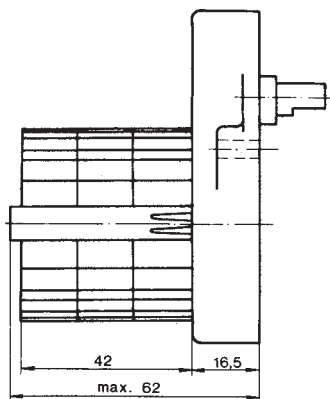
UDR 1..F



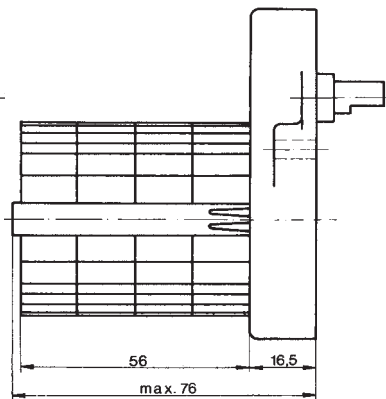
UFM 1/UFU 1/UFR 1..F



UFR 3..F



UFR 4..F



Torque / ratio / life graph

