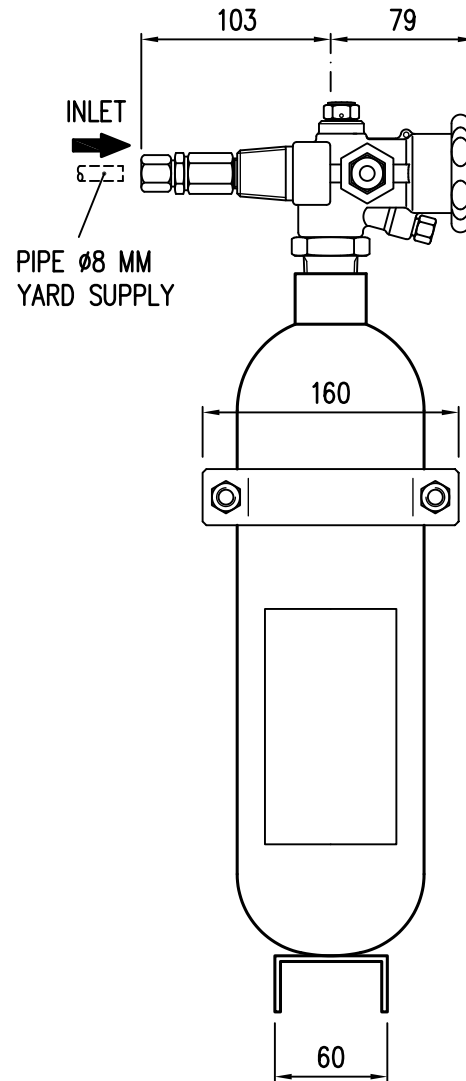
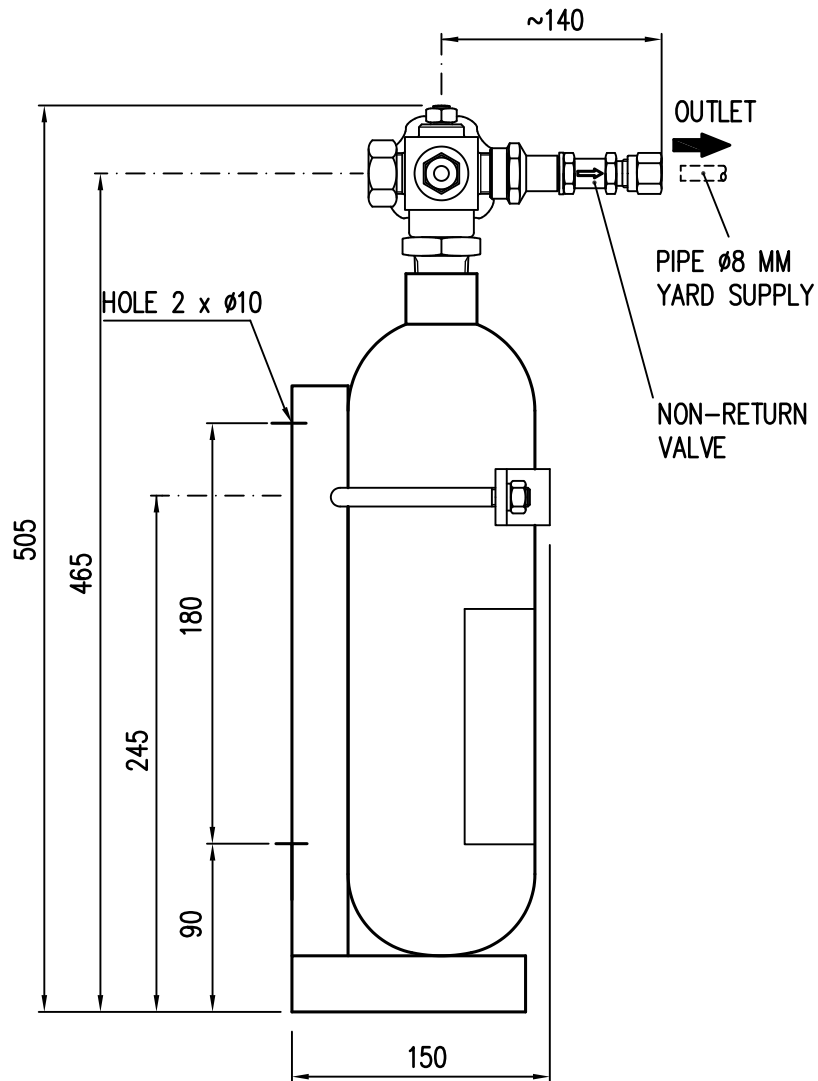


The right to make engineering refinements on all products is reserved. Dimensions and details are subject to change without prior notice. When dimensions are critical, the dimensions should be confirmed by Survitec company.



■ THE TIME DELAY UNIT INCLUDES NON RETURN VALVE 50-03-046 IN PRODUCT NUMBER

MATERIAL : CYLINDER: CHROME MOLYBDEN STEEL  
VALVE: BRASS  
BRACKET: STEEL

SURFACE TREATMENT : CYLINDER: PRIMER + PAINT  
BRACKET: ELECTROPLATED COATING OF ZINC W YELLOW CHROMATE

COLOUR : CYLINDER: RED RAL 3000

WATER CAPACITY NOMINAL : 2.68 L ACC TO EN 1964-1

WEIGHT : 7.2 KG

TIME OF DELAY	CERTIFICATE	PROD NO
30 - 40 SEC	LR	604629
	RINA	757518
	RMRS	763995
	BV	1056502
60 - 90 SEC	LR	604637
	RINA	757526
	RMRS	764001

Product no. SEE TABLE	09	Drawn by/date MNI 22.02.18	ORIGINAL	Drawn by/date ILS 28.03.96	System SURVITEC HIGH PRESSURE CO <sub>2</sub> SYSTEM	Component TIME DELAY UNIT, PNEUMATIC	DATA SHEET
survitec	Rev. no.	Issued by/date ADA 22.02.18		Issued by/date SOP 28.03.96			
		Approved by/date ADA 22.02.18		Approved by/date PKP 28.03.96			
							Data sheet no. 50-07-051