


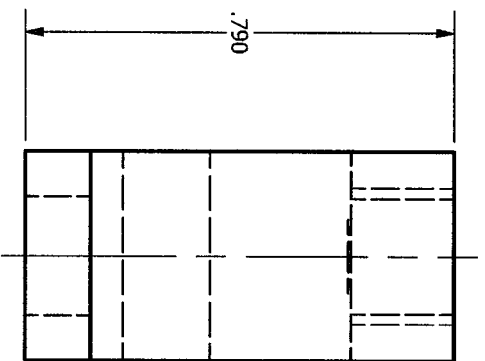
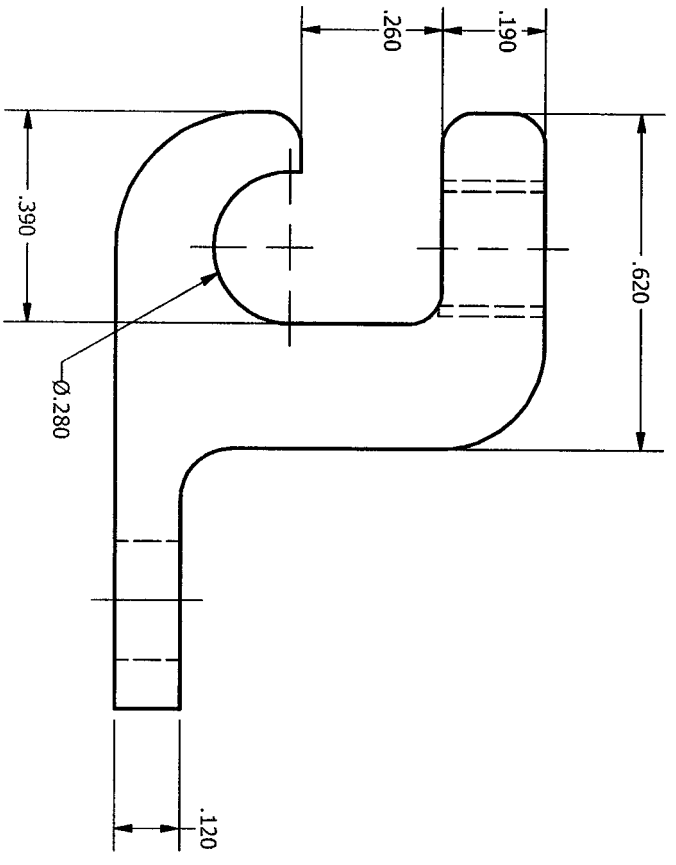
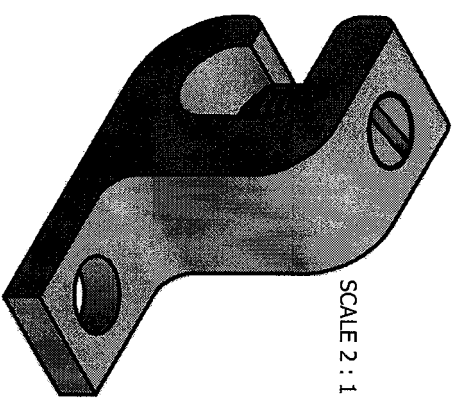
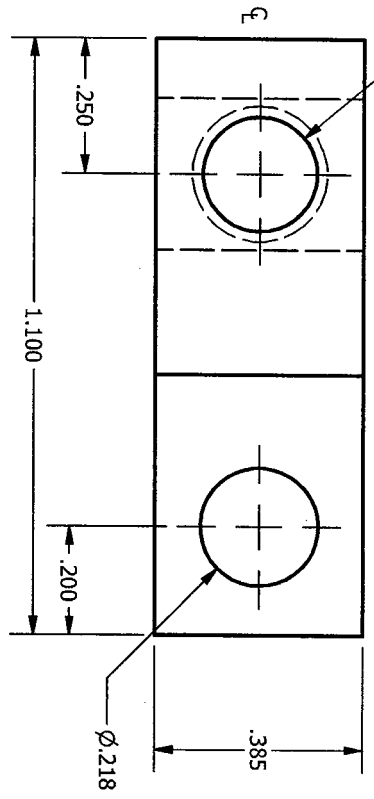
SCREW: SEE CHART  
 CAT. NO.: GBL-4  
 INFORMATION SHEET: SEE CHART

MATERIAL: ALUMINUM  
 PLATING: EL-TIN  
 MARKING: ILSCO, G918, 4-14, AL9CU, 

REV: V  
 DRAWN BY: CLH  
 DATE: 7/19/2007  
 SCALE: 3:1  
 SIZE: A

**ILSCO**  
 CORPORATION  
 800-776-9775  
 WWW.ILSCO.COM  
 DWG. NO. **G0918**  
 SHEET: 1 OF 1

1/4-28 UNF-2B



THE INFORMATION CONTAINED WITHIN THIS DOCUMENT IS PROPRIETARY TO ILSCO AND MAY NOT BE DISCLOSED WITHOUT PRIOR WRITTEN CONSENT