

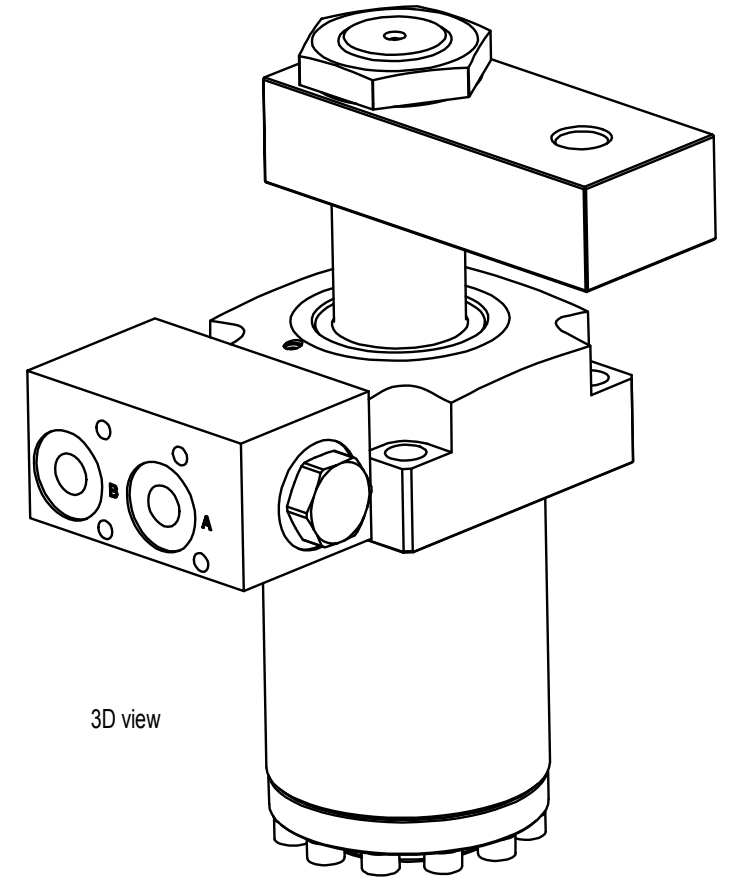
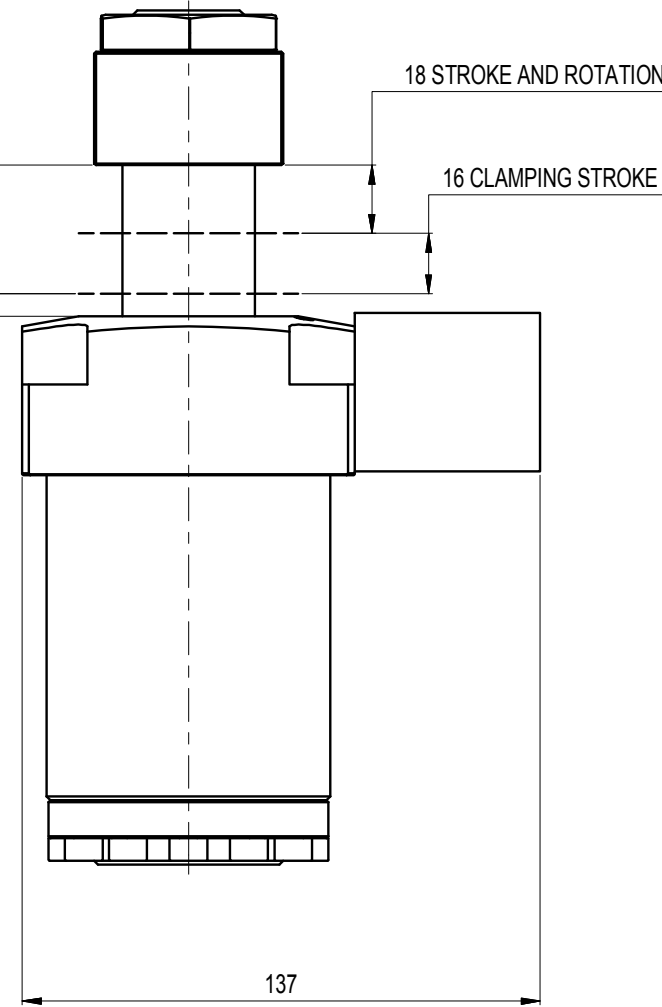
ROD-BRACKET MECHANICAL CONICAL COUPLING 1:5

34 TOTAL STROKE

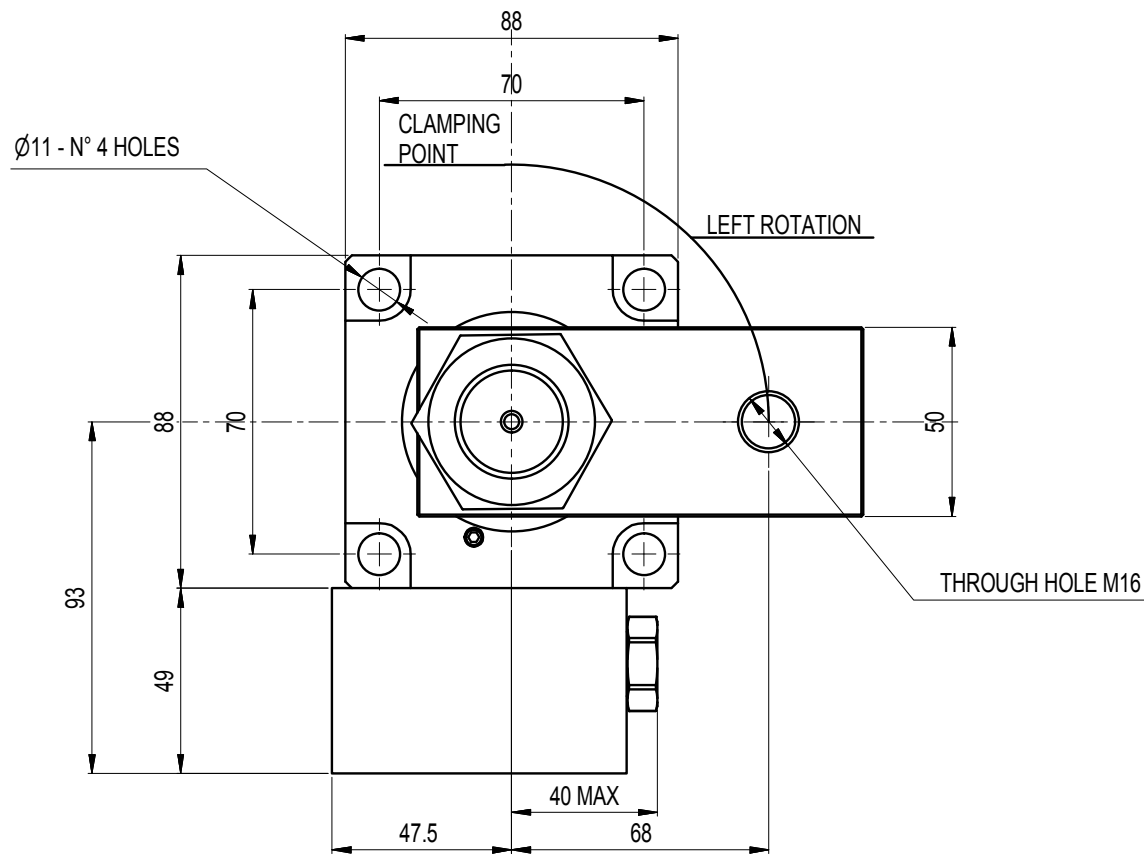
18 STROKE AND ROTATION

16 CLAMPING STROKE

6 BRACKET POSITION AT END STROKE



3D view



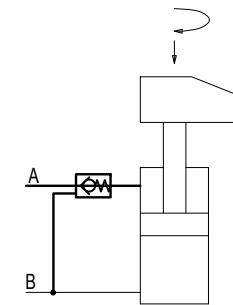
SURFACE FINISHING :

Cylinder body : blueing

Clamp : blueing

Back cover : blueing

HYDRAULIC SYMBOL



DOUBLE-ACTING SWING CLAMP HYDRAULIC CYLINDER :

FIXING : Upper flange

CLAMP ROTATION : Left

ROD : 35 mm

BORE : 55 mm

STROKE : 34 mm

SEALS : VITON

NOMINAL OPERATING PRESSURE : 210 bar

NOMINAL DESIGN PRESSURE : 300 bar

AMBIENT TEMPERATURE RANGE : 0 + 80 °C

WEIGHT : 7,5 Kg

CONNECTIONS THREADING		ELECTRIC MOTOR POWER SUPPLY		CUSTOMER'S ORDER	
PAINTING		ON-OFF VALVE POWER SUPPLY		JOB NUMBER	16100344/345
SURFACE FINISHING		PROPORTIONAL VALVE POWER SUPPLY		OBTAINED FROM DRAWING	
MASS	1.094 kg	HYDRAULIC FLUID	MINERAL OIL	REPLACE DRAWING	
TANK CAPACITY		RECOMMENDED VISCOSITY		REPLACED BY DRAWING	

<p>DIPLOMATICO OLEODINAMICA DIVISIONE SISTEMI</p>	DESCRIPTION	ATT-55/35-34/VITON/BLOCC. FORNI CAMPANA	Sheet No.	1 / 1	HY. DIAGRAM REF.	
	CUSTOMER	DANIELI CENTRO COMBUSTION	Sheet size	A3	STATE	Approvato
	CUSTOMER'S REF.		Scale	1 : 2	DRAWING NO.	20ATD000001 I
	CUSTOMER'S DESCRIPTION		Date	09/09/2016	Appr.1	G. Musazzi
			Dwg	G. Musazzi	Appr.2	G. Musazzi

REV	REVISION DESCRIPTIONS	DATE	AUTHOR	APPROVER
00	EMISSION	09/09/2016	G. Musazzi	G. Musazzi
01	ALIGNED STROKE AND APPROVED BY CUSTOMER	14/09/2016	G. Musazzi	M. Ripamonti