
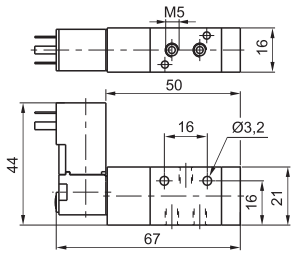

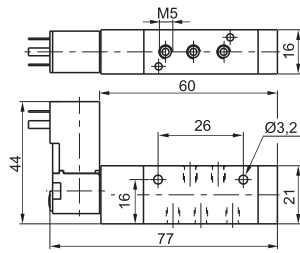
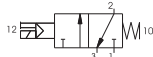


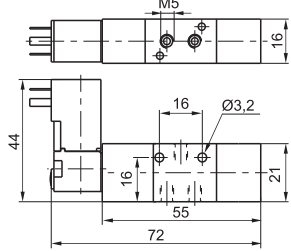

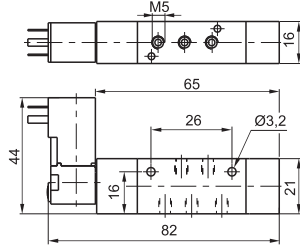
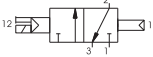


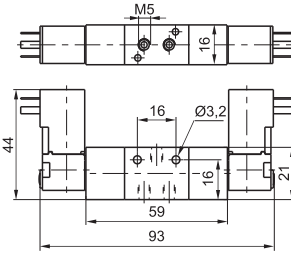

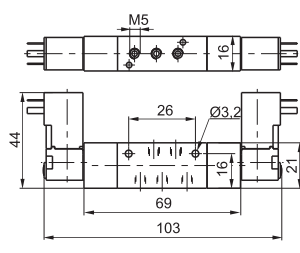
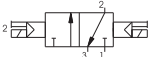



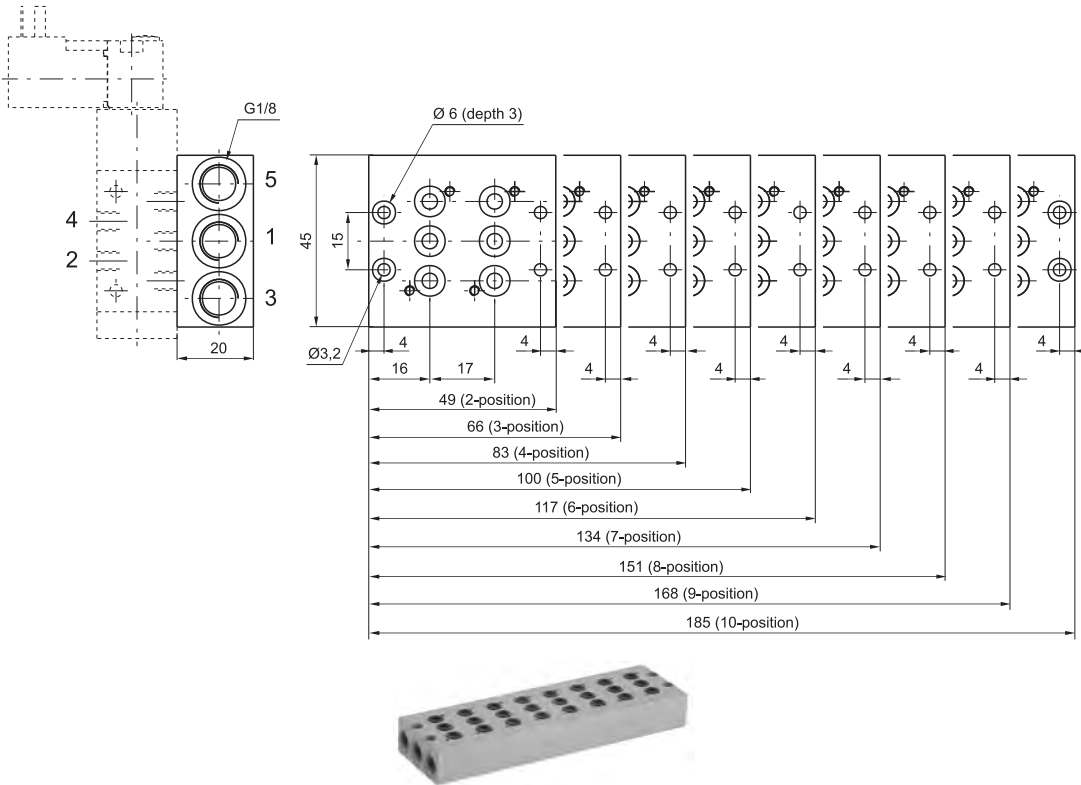
3/2	Solenoid - Spring	Ordering code	Solenoid - Spring	5/2		
  Weight gr. 80 Minimum working pressure 2 bar		805.T.0.1.V TYPE T 32 = 3 ways 52 = 5 ways VOLTAGE 01 = 12V D.C. 02 = 24V D.C. 05 = 24V A.C. 06 = 110V A.C. 07 = 220V A.C.	  Weight gr. 85 Minimum working pressure 2 bar			
						
Operational characteristic	Fluid	Max working pressure (bar)	Temperature °C	Flow rate at 6 bar with Δp=1 (NI/min)	Orifice size (mm)	Working ports size
	Filtered and lubricated air	10 bar	Min. -5°C Max. +50°C	160 NI/min	mm 2,5	M5

3/2	Solenoid - Differential	Ordering code	Solenoid - Differential	5/2		
  Weight gr. 85 Minimum working pressure 2 bar		805.T.0.12.V TYPE T 32 = 3 ways 52 = 5 ways VOLTAGE 01 = 12V D.C. 02 = 24V D.C. 05 = 24V A.C. 06 = 110V A.C. 07 = 220V A.C.	  Weight gr. 90 Minimum working pressure 2 bar			
						
Operational characteristic	Fluid	Max working pressure (bar)	Temperature °C	Flow rate at 6 bar with Δp=1 (NI/min)	Orifice size (mm)	Working ports size
	Filtered and lubricated air	10 bar	Min. -5°C Max. +50°C	160 NI/min	mm 2,5	M5

3/2	Solenoid - Solenoid	Ordering code	Solenoid - Solenoid	5/2		
  Weight gr. 120 Minimum working pressure 1,5 bar		805.T.0.0.V TYPE T 32 = 3 ways 52 = 5 ways VOLTAGE 01 = 12V D.C. 02 = 24V D.C. 05 = 24V A.C. 06 = 110V A.C. 07 = 220V A.C.	  Weight gr. 125 Minimum working pressure 1,5 bar			
						
Operational characteristic	Fluid	Max working pressure (bar)	Temperature °C	Flow rate at 6 bar with Δp=1 (NI/min)	Orifice size (mm)	Working ports size
	Filtered and lubricated air	10 bar	Min. -5°C Max. +50°C	160 NI/min	mm 2,5	M5



Manifolds



Ordering code

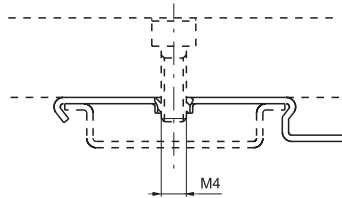
805.P

N. POSITIONS

- 02 = 2 pos. (weight gr. 95)
- 03 = 3 pos. (weight gr. 130)
- 04 = 4 pos. (weight gr. 160)
- 05 = 5 pos. (weight gr. 190)
- 06 = 6 pos. (weight gr. 225)
- 07 = 7 pos. (weight gr. 260)
- 08 = 8 pos. (weight gr. 290)
- 09 = 9 pos. (weight gr. 325)
- 10 = 10 pos. (weight gr. 365)

Clip

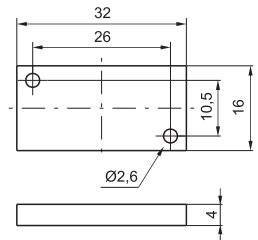
Closing plate



Ordering code

800.00

Weight gr. 5 - (for mounting the distributors groups on guide DIN 46277/3)



Ordering code

805.00

Weight gr. 15