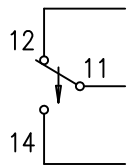
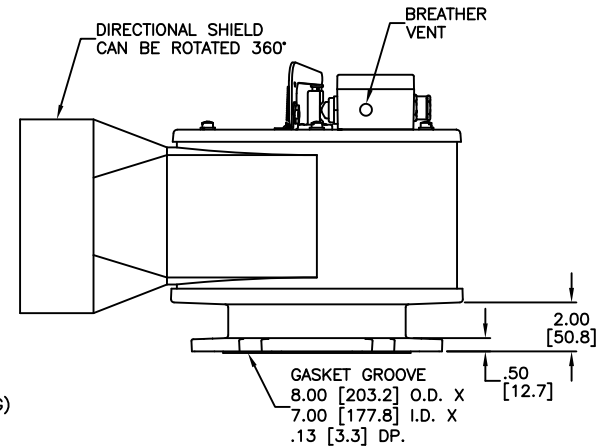
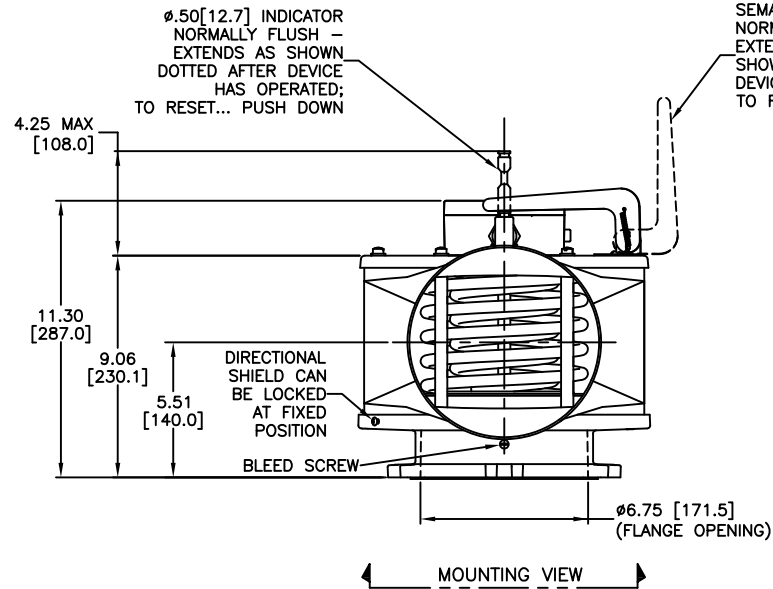
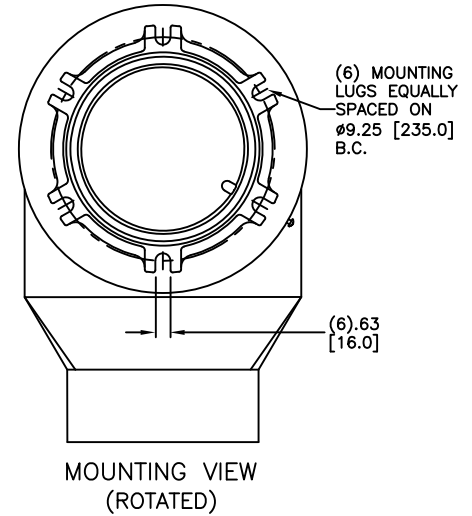
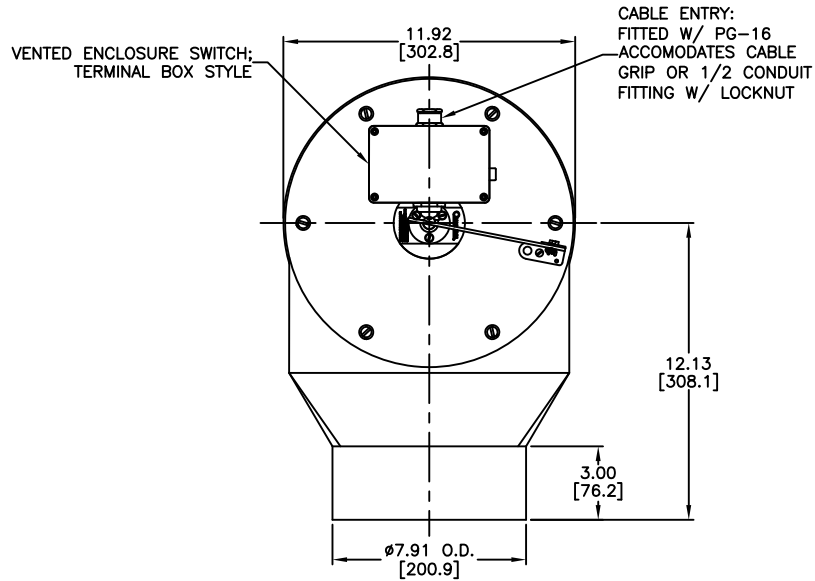


NOTICE
 THIS DRAWING IS THE PROPERTY OF QUALITROL COMPANY LLC AND IS LOANED ONLY ON THE CONDITION THAT IT WILL BE USED TO FACILITATE THE PURPOSE FOR WHICH INTENDED AND NOT BE REPRODUCED, COPIED OR OTHERWISE DISPOSED OF, AND IS NOT TO BE USED IN WHOLE OR PART FOR FURNISHING INFORMATION RELATIVE TO THE MAKING OF DRAWINGS, PARTS APPARATUS OR PARTS THEREOF, EXCEPT BY WRITTEN ORDER FROM QUALITROL COMPANY LLC.

MODEL NO. XPRD00-00231826

NOTES: (UNLESS OTHERWISE SPECIFIED)

1. DIMENSIONS ARE FOR REFERENCE AND SHOWN IN INCHES [MILLIMETERS].
2. INDICATOR COLOR: BLUE
3. SEMAPHORE COLOR: YELLOW (POLYCARBONATE)
4. GASKET MATERIAL: VITON for MINERAL OIL
5. MOUNTING GASKET: (1) NITRILE SUPPLIED
6. STRUCTURAL MATERIAL: ALUMINUM AND STAINLESS STEEL.
7. OPERATING PRESSURE: 10.0±1 PSI/0.69±0.07 BAR
8. SWITCH ENCLOSURES COMPLY WITH IP65 REQUIREMENTS.
9. SWITCH ARRANGEMENT & RATING: SPDT (STD); 10 AMP @ 125/250 VAC



WIRING DIAGRAM - 4J02
 (AS SHOWN ON ALARM SWITCH LABEL)

LET	DATE	ALTERATION	C.N.
-	01-14-20	DRAWING CREATED	-

QUALITROL

DIMENSIONS AND TOLERANCES IN ACCORDANCE WITH ASME Y14.5M-1994

PH. (585) 586-1515
 FAX (585) 377-0220

1385 FAIRPORT ROAD
 FAIRPORT, NY 14450

FORM 0-473 REV. F 04/06/06

TITLE: XTRA PROTECTION RELIEF DEVICE

MODEL NO. XPRD00-00231826