



Suez Canal Searchlight

SKS 575

One for all vessels – small and easy to handle

Small and rugged

- SKS 575 is only 20% of the volume of its predecessor due to lamp change from halogen to metal halide
- With a reduced weight of over 20%, it ensures the most easiest handling on board
- The double-sided powder-coated stainless steel housing guarantees absolute ruggedness: With its high-quality uniform coating, SKS 575 is highly protected against corrosion and seawater-resistant. The housing design meets with the demanding needs on board
- SKS 575 fits seamlessly into the visual effect and reliability of the WISKA octagonal searchlight series

One SKS for all ships

- SKS 575 can be used on all vessels, regardless of the ship's size (both below and above 30,000 GT)
- When it is not being used, it is additionally protected by a protective cover on the front pane

High-quality illumination

- Reduced power required from formerly 2000W / 3000W to only 575W
- Increased lifetime of up to 1000 hours from formerly 400 hours
- Higher luminous efficiency of 85 lm/W
- Light angles and spare lamp (included) are controlled via the rotary levers

Certification

- DNV GL, Certificate No. 75515-09HH



Suez Canal Searchlight SKS 575
(ballast unit mounted on right side as standard)



SKS 575: 80% less volume compared to its predecessor

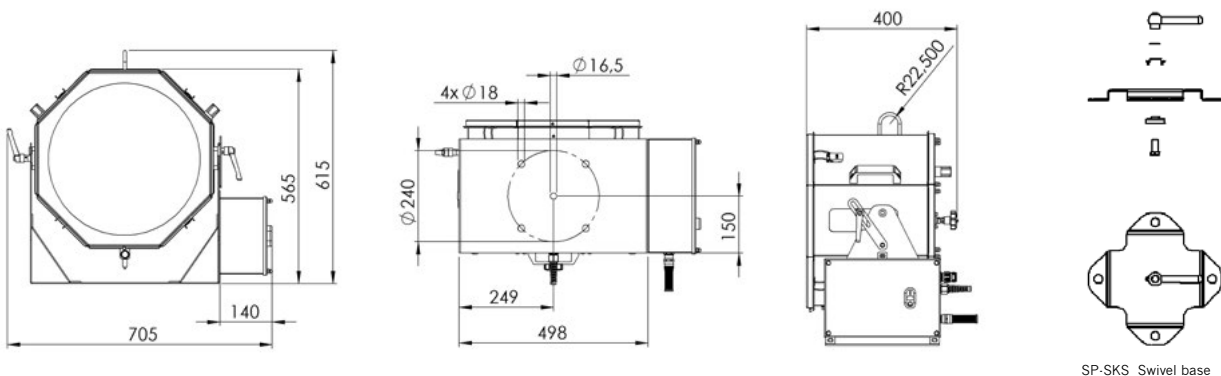
SUEZ CANAL SEARCHLIGHT SKS 575



Protection class to EN 60 529: IP56 / IP68 2.5 bar 20min
Material: Casing made of stainless steel
Colour: Double-side powder-coated RAL 9016
Accessories: Plastic friction disc and comfortable deck mounting device
Equipment: Separate ballast unit mounted on searchlight, 2x Metal halide lamps 575W
Approval: DNV GL acc. to Suez Canal Authority

Type	Voltage [V]	Wattage [W]	RANGE [m, 1 lux at target]	kg
SKS 575	230	575	3200	42,50

Type	Description	WISKA No.	kg
Spare Parts			
SP-SW/SH/SKS-400 front frame+front glass	Front frame + front glass	22000038	2,90
SP-SKS-Reflector unit D400 two-part	Reflector unit (two-part)	22000105	4,00
SP-SKS-Auxiliary mirror LSH 400/450	Auxiliary mirror	22000106	0,35
SP-SH/SKS-Metal halide discharge lamp	Metal halide discharge lamp 575W	22000107	0,03
SP-SH/SKS-Lamp holder SFC10-4 for 575W	Lamp holder	22000109	0,09
SP-SH/SKS-Igniter type IG 575 KVG	Ignitor type IG575KVG	22000108	0,34
SP-SH/SKS-Series impedance for 575W	Ballast impedance for 575W lamp	22000110	5,91
SP-SKS Cover	Accessories-Cover S 400	22000473	0,79
SP-SKS Swivel base	Swivel mount, complete assembly	22000474	1,75



SP-SKS Swivel base



WISKA Hoppmann GmbH
 Kisdorfer Weg 28 • 24568 Kaltenkirchen • Germany
 ☎ +49-4191-508-0 • 📠 +49-4191-508-209
 contact@wiska.de • www.wiska.com